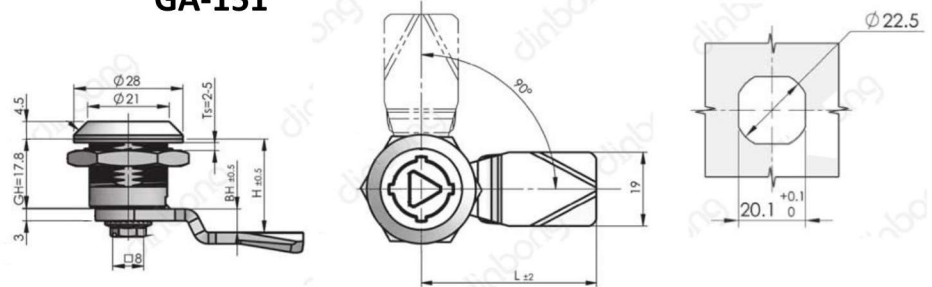
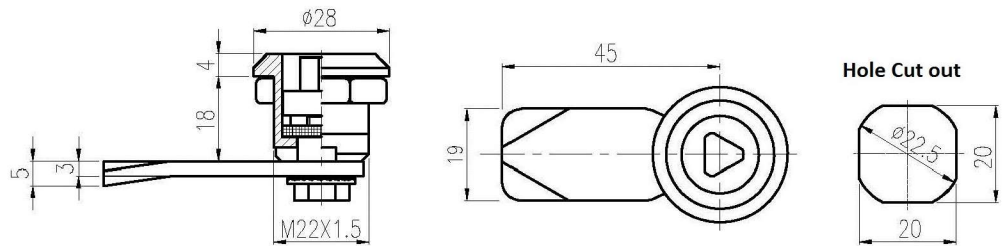


1/4 Turns Drive Operated

GA-151



MS705-3B-3



70006

Part Number	Product Description	Material
GA-151	Compression Wing Knob Locking . 30-70mm range	Black Powdercoat
MS705-3B-3	8mm Triangle Concealed Drive 1/4 Turn	Zinc Alloy Die Cast
70006	8mm Triangle Drive 1/4 Turn Latch H=18mm	Zinc Alloy Die Cast

Note: Cams available to achieve different H values of 18mm, 28mm, 38mm ask staff for availability.

Note: Products in this catalogue are subject to availability

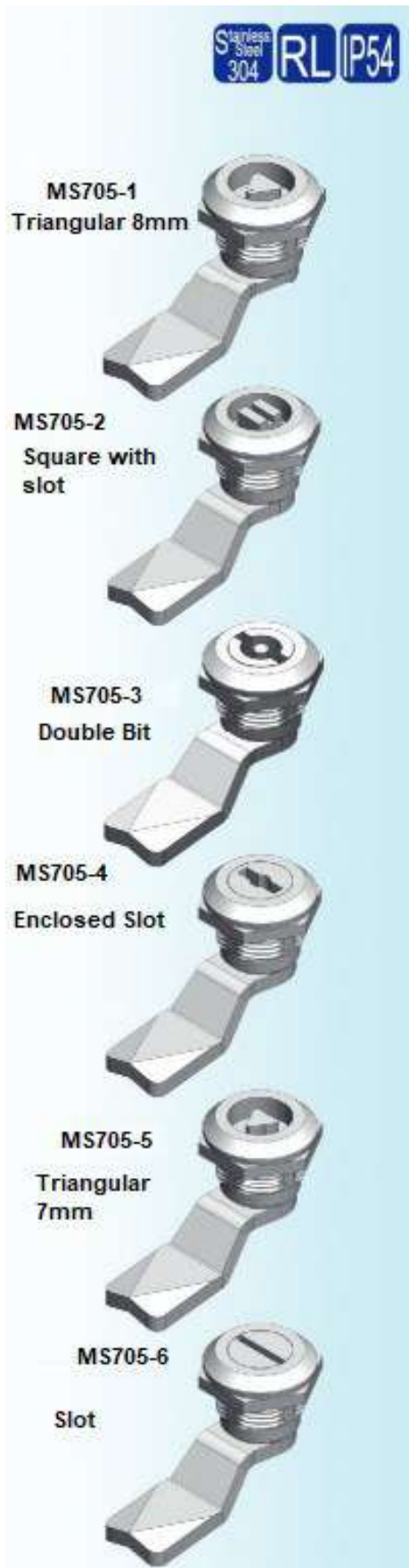


Head Office: Concept Fasteners VIC
 9 Flight Drive, Tullamarine 3043, Victoria
 Tel: (03) 9338 6633 Fax: (03) 9338 6433
 : sales@conceptfasteners.com.au

Head Office: Concept Fasteners NSW
 5 Liverpool St, Ingleburn 2565, NSW
 Tel: (02) 9774 4416
 : salesnsw@conceptfasteners.com.au

Head Office: Concept Fasteners QLD
 Brisbane Branch Coming Soon!
 : qldsales@conceptfasteners.com.au

1/4 Turns Drives



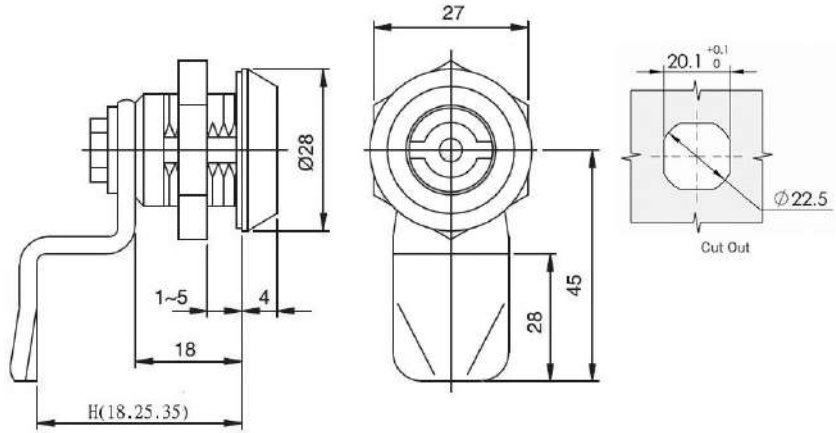
MS705-3B-3 H=18



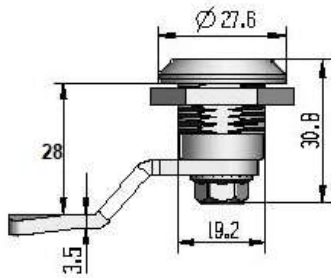
Concealed Triangle Drive

Note: Products in this catalogue are subject to availability

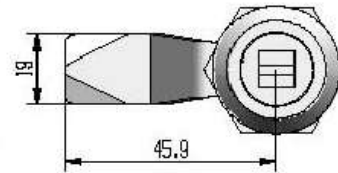
1/4 Turns Drive Operated



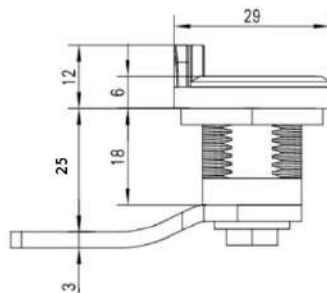
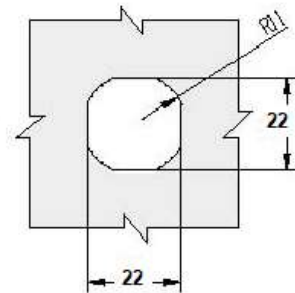
MS705-A-3H=26



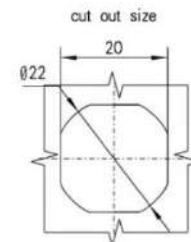
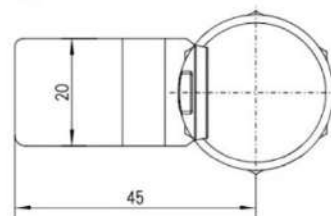
MS705-A-2H=18



MS705-A-2H=28



MS705-3A-B-H=25



Part Number	Product Description	Material
MS705-4A-3H=26	Double Bit Drive 1/4 turn Latch H=26mm	Zinc Alloy Die Cast
MS705-A-2H=18	8mm Square with SD slot Drive 1/4 Turn Latch H=18mm	Zinc Alloy Die Cast
MS705-A-2H=28	8mm Square with SD slot Drive 1/4 Turn Latch H=28mm	Zinc Alloy Die Cast
MS705-3A-B-H=25	8mm Square with SD slot Drive with security cover	Zinc Alloy Die Cast

Note: Cams available to achieve different H values of 18mm, 28mm, 38mm ask staff for availability.

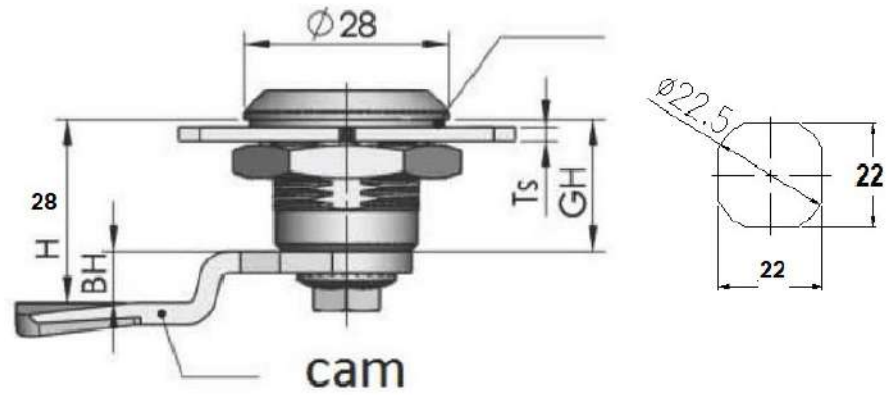
Note: Products in this catalogue are subject to availability



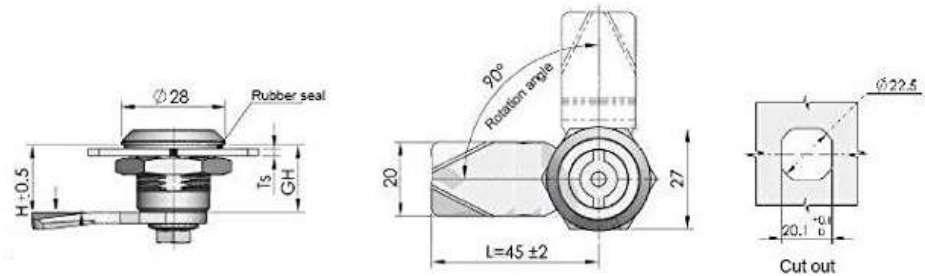
Head Office: Concept Fasteners VIC
 9 Flight Drive, Tullamarine 3043, Victoria
 Tel: (03) 9338 6633 Fax: (03) 9338 6433
 : sales@conceptfasteners.com.au

Head Office: Concept Fasteners NSW
 5 Liverpool St, Ingleburn 2565, NSW
 Tel: (02) 9774 4416
 : salesnsw@conceptfasteners.com.au

Head Office: Concept Fasteners QLD
 Brisbane Branch Coming Soon!
 : qldsales@conceptfasteners.com.au



MS705-3H=28



70008

Part Number

MS705-3H=28

70008

Product Description

8mm Triangle Drive 1/4 Turn H=28mm

Double Bit Drive 1/4 Turn Latch H=18mm

Material

Zinc Alloy Die Cast

Zinc Alloy Die Cast

Note: Cams available to achieve different H values of 18mm, 28mm, 38mm ask staff for availability.

1/4 Turn Keys



KT01SS-1



MS705KEY



KT01

Part Number

KT01

MS705Key

KT01SS-1

Product Description

8mm Triangle drive key

8mm Square drive key

Double Bit drive key

Material

Steel

Steel

316 SS

Note: Products in this catalogue are subject to availability



Head Office: Concept Fasteners VIC
 9 Flight Drive, Tullamarine 3043, Victoria
 Tel: (03) 9338 6633 Fax: (03) 9338 6433
 : sales@conceptfasteners.com.au

Concept Fasteners NSW
 5 Liverpool St, Ingleburn 2565, NSW
 Tel: (02) 9774 4416
 : salesnsw@conceptfasteners.com.au

Concept Fasteners QLD
 Brisbane Branch Coming Soon!
 : qldsales@conceptfasteners.com.au