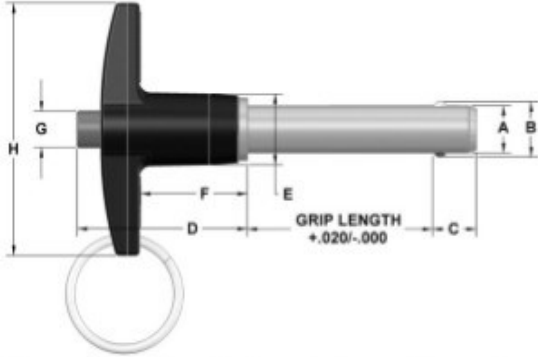




QUICK RELEASE BALL LOCK PINS

T-Handle | Inch

MA MODIFICATIONS AVAILABLE



Dia	Hole Size		Min. Pull-Out Strength (lbs)	Calculated Double Shear (lbs)		
	Max	Min		4130 Steel	17-4 Stainless	300 Series SS*
3/16	.1940	.1900	200	4,600	5,150	—
1/4	.2540	.2500	230	8,200	9,200	2,200
5/16	.3165	.3125	510	12,800	14,400	3,500
3/8	.3790	.3750	575	18,400	20,900	4,500
1/2	.5050	.5000	1,160	32,800	36,800	11,500
5/8	.6300	.6250	2,070	51,200	57,900	—

*Note: 300 Series Stainless is not recommended in applications where shear forces are a factor.

These positive locking quick release pins have a wide range of uses in fastening, locating, and alignment applications. The pins will not release until the button on the handle is depressed. Once the button is depressed, the balls retract into the shank allowing the pin to be inserted or removed into or out of a hole. They are available in three shank materials to meet your application. The handles for the pins listed below are made from 380 aluminum casting with a black finish. The pins are supplied with a stainless steel split ring for attaching a cable assembly. In addition to the standard sizes shown below, custom solutions and additional sizes are available as special order. See page 3 for complete specifications.

4130 Steel Part #	17-4 SS Part #	300 Series SS Part #	Nominal Diameter	A Max	A Min	Grip Length	+/- .005 B	+ .000/- .030 C	D	E	F	G	H
TAAS-18-050	TACH-18-050	—	3/16	.1885	.1870	.50	.220	.260	1.21	.47	.76	.23	1.81
TAAS-18-075	TACH-18-075	—	3/16	.1885	.1870	.75	.220	.260	1.21	.47	.76	.23	1.81
TAAS-18-100	TACH-18-100	—	3/16	.1885	.1870	1.00	.220	.260	1.21	.47	.76	.23	1.81
TAAS-18-125	TACH-18-125	—	3/16	.1885	.1870	1.25	.220	.260	1.21	.47	.76	.23	1.81
TAAS-18-150	TACH-18-150	—	3/16	.1885	.1870	1.50	.220	.260	1.21	.47	.76	.23	1.81
TAAS-18-175	TACH-18-175	—	3/16	.1885	.1870	1.75	.220	.260	1.21	.47	.76	.23	1.81
TAAS-18-200	TACH-18-200	—	3/16	.1885	.1870	2.00	.220	.260	1.21	.47	.76	.23	1.81
TAAS-18-250	TACH-18-250	—	3/16	.1885	.1870	2.50	.220	.260	1.21	.47	.76	.23	1.81
TAAS-18-300	TACH-18-300	—	3/16	.1885	.1870	3.00	.220	.260	1.21	.47	.76	.23	1.81
TAAS-18-350	TACH-18-350	—	3/16	.1885	.1870	3.50	.220	.260	1.21	.47	.76	.23	1.81
TAAS-18-400	TACH-18-400	—	3/16	.1885	.1870	4.00	.220	.260	1.21	.47	.76	.23	1.81
TAAS-25-050	TACH-25-050	TACS-25-050	1/4	.2485	.2470	.50	.289	.290	1.21	.47	.76	.23	1.81
TAAS-25-075	TACH-25-075	TACS-25-075	1/4	.2485	.2470	.75	.289	.290	1.21	.47	.76	.23	1.81
TAAS-25-100	TACH-25-100	TACS-25-100	1/4	.2485	.2470	1.00	.289	.290	1.21	.47	.76	.23	1.81
TAAS-25-125	TACH-25-125	TACS-25-125	1/4	.2485	.2470	1.25	.289	.290	1.21	.47	.76	.23	1.81
TAAS-25-150	TACH-25-150	TACS-25-150	1/4	.2485	.2470	1.50	.289	.290	1.21	.47	.76	.23	1.81
TAAS-25-175	TACH-25-175	TACS-25-175	1/4	.2485	.2470	1.75	.289	.290	1.21	.47	.76	.23	1.81
TAAS-25-200	TACH-25-200	TACS-25-200	1/4	.2485	.2470	2.00	.289	.290	1.21	.47	.76	.23	1.81
TAAS-25-250	TACH-25-250	TACS-25-250	1/4	.2485	.2470	2.50	.289	.290	1.21	.47	.76	.23	1.81
TAAS-25-300	TACH-25-300	TACS-25-300	1/4	.2485	.2470	3.00	.289	.290	1.21	.47	.76	.23	1.81
TAAS-25-350	TACH-25-350	TACS-25-350	1/4	.2485	.2470	3.50	.289	.290	1.21	.47	.76	.23	1.81
TAAS-25-400	TACH-25-400	TACS-25-400	1/4	.2485	.2470	4.00	.289	.290	1.21	.47	.76	.23	1.81
TAAS-31-050	TACH-31-050	TACS-31-050	5/16	.3110	.3095	.50	.375	.330	1.21	.47	.76	.23	1.81
TAAS-31-075	TACH-31-075	TACS-31-075	5/16	.3110	.3095	.75	.375	.330	1.21	.47	.76	.23	1.81
TAAS-31-100	TACH-31-100	TACS-31-100	5/16	.3110	.3095	1.00	.375	.330	1.21	.47	.76	.23	1.81
TAAS-31-125	TACH-31-125	TACS-31-125	5/16	.3110	.3095	1.25	.375	.330	1.21	.47	.76	.23	1.81
TAAS-31-150	TACH-31-150	TACS-31-150	5/16	.3110	.3095	1.50	.375	.330	1.21	.47	.76	.23	1.81
TAAS-31-175	TACH-31-175	TACS-31-175	5/16	.3110	.3095	1.75	.375	.330	1.21	.47	.76	.23	1.81
TAAS-31-200	TACH-31-200	TACS-31-200	5/16	.3110	.3095	2.00	.375	.330	1.21	.47	.76	.23	1.81
TAAS-31-250	TACH-31-250	TACS-31-250	5/16	.3110	.3095	2.50	.375	.330	1.21	.47	.76	.23	1.81
TAAS-31-300	TACH-31-300	TACS-31-300	5/16	.3110	.3095	3.00	.375	.330	1.21	.47	.76	.23	1.81
TAAS-31-350	TACH-31-350	TACS-31-350	5/16	.3110	.3095	3.50	.375	.330	1.21	.47	.76	.23	1.81
TAAS-31-400	TACH-31-400	TACS-31-400	5/16	.3110	.3095	4.00	.375	.330	1.21	.47	.76	.23	1.81

Note: Products in this catalogue are subject to availability



Head Office: Concept Fasteners VIC
 9 Flight Drive, Tullamarine 3043, Victoria
 Tel: (03) 9338 6633 Fax: (03) 9338 6433
 Email: sales@conceptfasteners.com.au

Concept Fasteners NSW
 5 Liverpool St, Ingleburn 2565, NSW
 Tel: (02) 9774 4416
 Email: salesnsw@conceptfasteners.com.au

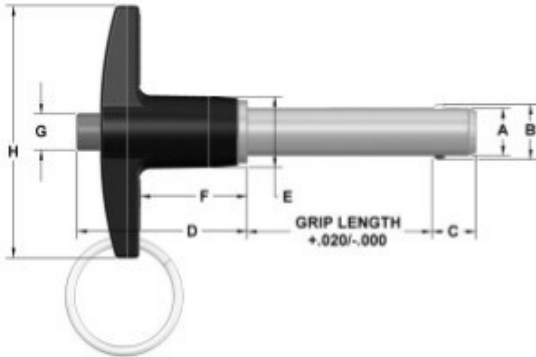
Concept Fasteners QLD
 Brisbane Branch Coming Soon!
 Email: qldsales@conceptfasteners.com.au



QUICK RELEASE BALL LOCK PINS

T-Handle | Inch (continued)

MA MODIFICATIONS AVAILABLE



Dia	Hole Size		Min. Pull-Out Strength (lbs)	Calculated Double Shear (lbs)		
	Max	Min		4130 Steel	17-4S stainless	300 Series SS*
3/16	.1940	.1900	200	4,600	5,150	—
1/4	.2540	.2500	230	8,200	9,200	2,200
5/16	.3105	.3125	510	12,900	14,400	3,500
3/8	.3790	.3750	575	18,400	20,000	4,500
1/2	.5050	.5000	1,160	32,900	36,800	11,500
5/8	.6300	.6250	2,070	51,200	57,500	—

*Note: 300 Series Stainless is not recommended in applications where shear forces are a factor.

4130 Steel Part #	17-4 SS Part #	300 Series SS Part #	Nominal Diameter	A Max	A Min	Grip Length	+/- .005 B	+ .000/- .030 C	D	E	F	G	H
TAAS-37-050	TACH-37-050	TACS-37-050	3/8	.3735	.3720	.50	.440	.365	1.37	.56	.87	.29	2.00
TAAS-37-075	TACH-37-075	TACS-37-075	3/8	.3735	.3720	.75	.440	.365	1.37	.56	.87	.29	2.00
TAAS-37-100	TACH-37-100	TACS-37-100	3/8	.3735	.3720	1.00	.440	.365	1.37	.56	.87	.29	2.00
TAAS-37-125	TACH-37-125	TACS-37-125	3/8	.3735	.3720	1.25	.440	.365	1.37	.56	.87	.29	2.00
TAAS-37-150	TACH-37-150	TACS-37-150	3/8	.3735	.3720	1.50	.440	.365	1.37	.56	.87	.29	2.00
TAAS-37-175	TACH-37-175	TACS-37-175	3/8	.3735	.3720	1.75	.440	.365	1.37	.56	.87	.29	2.00
TAAS-37-200	TACH-37-200	TACS-37-200	3/8	.3735	.3720	2.00	.440	.365	1.37	.56	.87	.29	2.00
TAAS-37-250	TACH-37-250	TACS-37-250	3/8	.3735	.3720	2.50	.440	.365	1.37	.56	.87	.29	2.00
TAAS-37-300	TACH-37-300	TACS-37-300	3/8	.3735	.3720	3.00	.440	.365	1.37	.56	.87	.29	2.00
TAAS-37-350	TACH-37-350	TACS-37-350	3/8	.3735	.3720	3.50	.440	.365	1.37	.56	.87	.29	2.00
TAAS-37-400	TACH-37-400	TACS-37-400	3/8	.3735	.3720	4.00	.440	.365	1.37	.56	.87	.29	2.00
TAAS-50-100	TACH-50-100	TACS-50-100	1/2	.4985	.4970	1.00	.594	.460	1.60	.72	1.00	.42	2.25
TAAS-50-125	TACH-50-125	TACS-50-125	1/2	.4985	.4970	1.25	.594	.460	1.60	.72	1.00	.42	2.25
TAAS-50-150	TACH-50-150	TACS-50-150	1/2	.4985	.4970	1.50	.594	.460	1.60	.72	1.00	.42	2.25
TAAS-50-175	TACH-50-175	TACS-50-175	1/2	.4985	.4970	1.75	.594	.460	1.60	.72	1.00	.42	2.25
TAAS-50-200	TACH-50-200	TACS-50-200	1/2	.4985	.4970	2.00	.594	.460	1.60	.72	1.00	.42	2.25
TAAS-50-250	TACH-50-250	TACS-50-250	1/2	.4985	.4970	2.50	.594	.460	1.60	.72	1.00	.42	2.25
TAAS-50-300	TACH-50-300	TACS-50-300	1/2	.4985	.4970	3.00	.594	.460	1.60	.72	1.00	.42	2.25
TAAS-50-350	TACH-50-350	TACS-50-350	1/2	.4985	.4970	3.50	.594	.460	1.60	.72	1.00	.42	2.25
TAAS-50-400	TACH-50-400	TACS-50-400	1/2	.4985	.4970	4.00	.594	.460	1.60	.72	1.00	.42	2.25
TAAS-50-450	TACH-50-450	TACS-50-450	1/2	.4985	.4970	4.50	.594	.460	1.60	.72	1.00	.42	2.25
TAAS-50-500	TACH-50-500	TACS-50-500	1/2	.4985	.4970	5.00	.594	.460	1.60	.72	1.00	.42	2.25
TAAS-50-550	TACH-50-550	TACS-50-550	1/2	.4985	.4970	5.50	.594	.460	1.60	.72	1.00	.42	2.25
TAAS-50-600	TACH-50-600	TACS-50-600	1/2	.4985	.4970	6.00	.594	.460	1.60	.72	1.00	.42	2.25
TAAS-62-150	TACH-62-150	---	5/8	.6235	.6220	1.50	.750	.580	1.77	.94	1.11	.54	3.07
TAAS-62-175	TACH-62-175	---	5/8	.6235	.6220	1.75	.750	.580	1.77	.94	1.11	.54	3.07
TAAS-62-200	TACH-62-200	---	5/8	.6235	.6220	2.00	.750	.580	1.77	.94	1.11	.54	3.07
TAAS-62-250	TACH-62-250	---	5/8	.6235	.6220	2.50	.750	.580	1.77	.94	1.11	.54	3.07
TAAS-62-300	TACH-62-300	---	5/8	.6235	.6220	3.00	.750	.580	1.77	.94	1.11	.54	3.07
TAAS-62-350	TACH-62-350	---	5/8	.6235	.6220	3.50	.750	.580	1.77	.94	1.11	.54	3.07
TAAS-62-400	TACH-62-400	---	5/8	.6235	.6220	4.00	.750	.580	1.77	.94	1.11	.54	3.07
TAAS-62-450	TACH-62-450	---	5/8	.6235	.6220	4.50	.750	.580	1.77	.94	1.11	.54	3.07
TAAS-62-500	TACH-62-500	---	5/8	.6235	.6220	5.00	.750	.580	1.77	.94	1.11	.54	3.07
TAAS-62-550	TACH-62-550	---	5/8	.6235	.6220	5.50	.750	.580	1.77	.94	1.11	.54	3.07
TAAS-62-600	TACH-62-600	---	5/8	.6235	.6220	6.00	.750	.580	1.77	.94	1.11	.54	3.07

Note: Products in this catalogue are subject to availability



Head Office: Concept Fasteners VIC
 9 Flight Drive, Tullamarine 3043, Victoria
 Tel: (03) 9338 6633 Fax: (03) 9338 6433
 : sales@conceptfasteners.com.au

Head Office: Concept Fasteners NSW
 5 Liverpool St, Ingleburn 2565, NSW
 Tel: (02) 9774 4416
 : salesnsw@conceptfasteners.com.au

Head Office: Concept Fasteners QLD
 Brisbane Branch Coming Soon!
 : qldsales@conceptfasteners.com.au