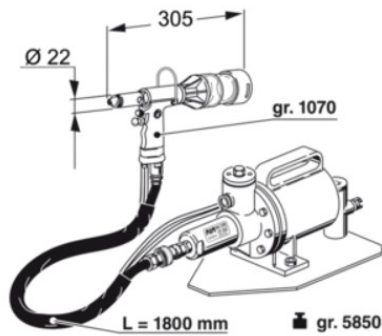


Hydro-pneumatic Rivet tool RAC2200

RAC 2200 - Hydropneumatic tool for blind rivets

RAC 2200 Hydropneumatic tool; booster power apart the body tool.
It is particularly suitable to be used in the assembly line.

Code 702200



To fasten blind rivets from 3/32 to 3/16 (2.4 to 4.8mm) in all alloys. Low hand stress, especially suitable for assembly line .

Note: Products in this catalogue are subject to availability



Head Office: Concept Fasteners VIC
9 Flight Drive, Tullamarine 3043, Victoria
Tel: (03) 9338 6633 Fax: (03) 9338 6433
✉ : sales@conceptfasteners.com.au

Head Office: Concept Fasteners NSW
5 Liverpool St, Ingleburn 2565, NSW
Tel: (02) 9774 4416
✉ : salesnsw@conceptfasteners.com.au

Head Office: Concept Fasteners QLD
Brisbane Branch Coming Soon!
✉ : qldsales@conceptfasteners.com.au