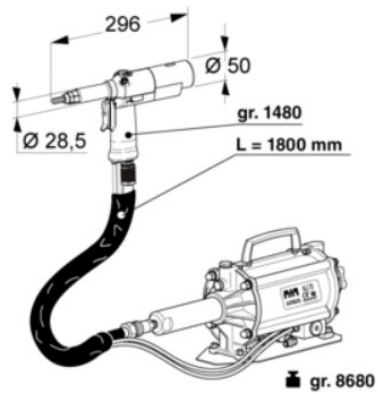


Hydro-pneumatic Rivet Nut Tool KJ73

KJ73 - HYDROPNEUMATIC TOOL FOR INSERTS M4/M12

KJ73 Hydropneumatic riveting tool for blind rivet nuts M4 ÷ M12. Tool body separated from the booster.
Suitable for assembly line.

Code 700073



Note: Products in this catalogue are subject to availability



Head Office: Concept Fasteners VIC
9 Flight Drive, Tullamarine 3043, Victoria
Tel: (03) 9338 6633 Fax: (03) 9338 6433
✉ : sales@conceptfasteners.com.au

Head Office: Concept Fasteners NSW
5 Liverpool St, Ingleburn 2565, NSW
Tel: (02) 9774 4416
✉ : salesnsw@conceptfasteners.com.au

Head Office: Concept Fasteners QLD
Brisbane Branch Coming Soon!
✉ : qldsales@conceptfasteners.com.au