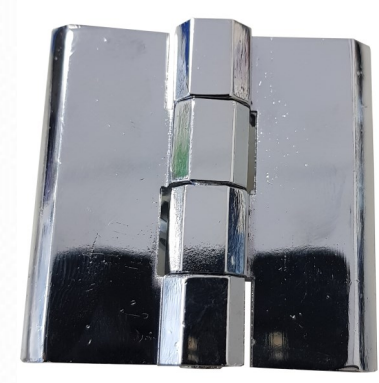
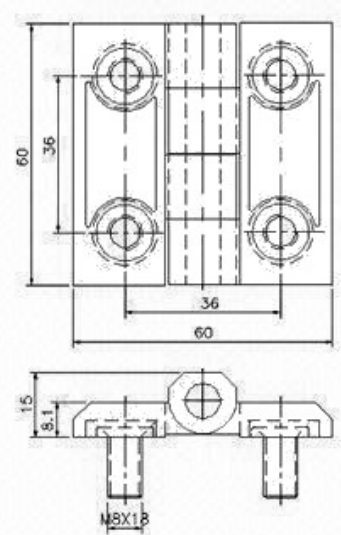


General Hinges



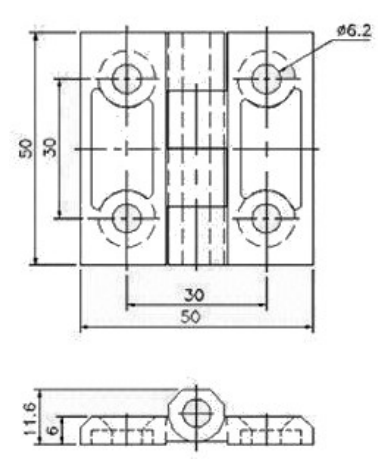
CL226-B-3-BLK



CL226-B-2-CH



CL226-A-2BLK



CL226-A-2CHROME

Part Number	Product Description	Colour
CL226-A1-BLK	40mmx40mm Cast Cabinet Hinge with holes	Black
CL226-A-2BLK	50mmx50mm Cast Cabinet Hinge with holes	Black
CL226-A-2CH	50mmx50mm Cast Cabinet Hinge with holes	Chrome
CL226-A-3BLK	60mmx60mm Cast Cabinet Hinge with holes	Black
CL226-B-1-BLK	40mmx40mm Cast Cabinet Hinge with Studs	Black
CL226-B-2-BLK	50mmx50mm Cast Cabinet Hinge with Studs	Black
CL226-B-3-BLK	60mmx60mm Cast Cabinet Hinge with Studs	Black
CL226-B-2-CH	50mmx50mm Cast Cabinet Hinge with studs	Chrome

*Note: Products in this catalogue are subject to availability*

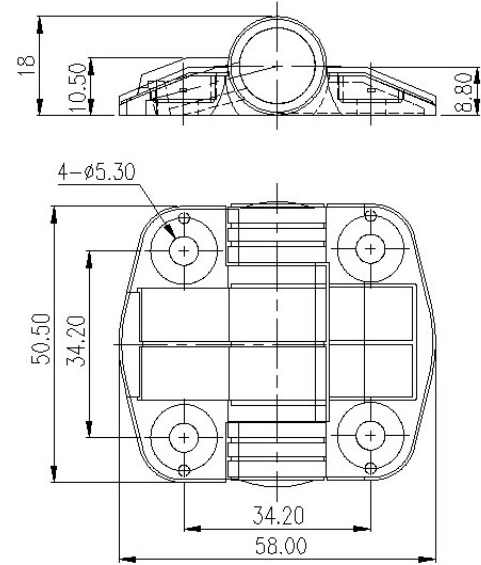


**Head Office: Concept Fasteners VIC**  
 9 Flight Drive, Tullamarine 3043, Victoria  
 Tel: (03) 9338 6633 Fax: (03) 9338 6433  
 Email: sales@conceptfasteners.com.au

**Head Office: Concept Fasteners NSW**  
 5 Liverpool St, Ingleburn 2565, NSW  
 Tel: (02) 9774 4416  
 Email: salesnsw@conceptfasteners.com.au

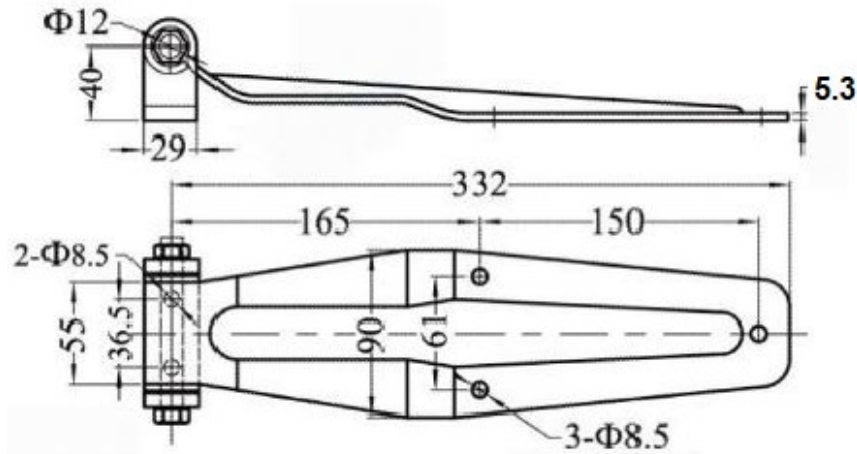
**Head Office: Concept Fasteners QLD**  
 Brisbane Branch Coming Soon!  
 Email: qldsales@conceptfasteners.com.au

General Hinges



**90046 - Black 115 degree cabinet hinge with cover plate**

**90046-WHITE 115 degree cabinet hinge with cover plate**



**01111 - Truck Rear Door Hinge**

**Part Number**

90046  
01111

**Product Description**

Black cabinet hinge with cover plate  
330MM Truck Door Hinge Zinc Plated

**Material**

Black Plastic  
Steel ZP

*Note: Products in this catalogue are subject to availability*



**Head Office: Concept Fasteners VIC**  
9 Flight Drive, Tullamarine 3043, Victoria  
Tel: (03) 9338 6633 Fax: (03) 9338 6433  
✉ : sales@conceptfasteners.com.au

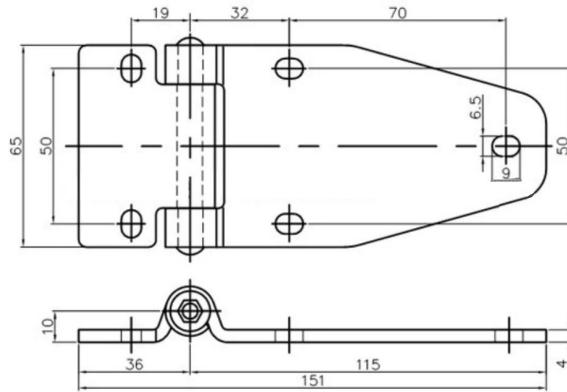
**Concept Fasteners NSW**  
5 Liverpool St, Ingleburn 2565, NSW  
Tel: (02) 9774 4416  
✉ : salesnsw@conceptfasteners.com.au

**Concept Fasteners QLD**  
Brisbane Branch Coming Soon!  
✉ : qldsales@conceptfasteners.com.au

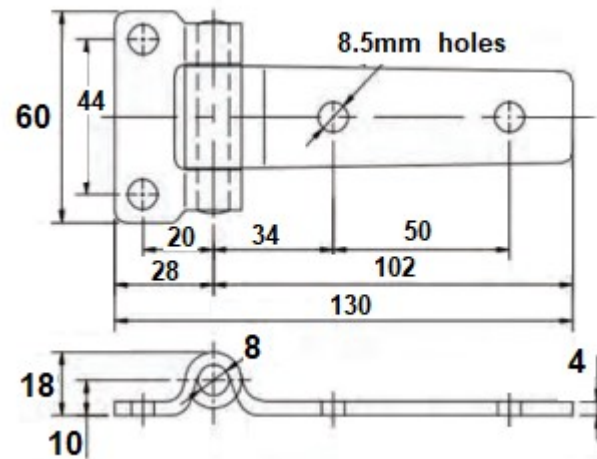
General Hinges



9568SS

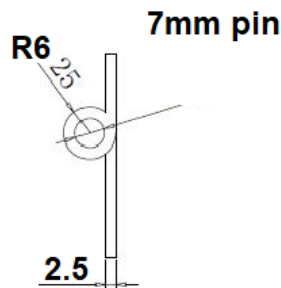
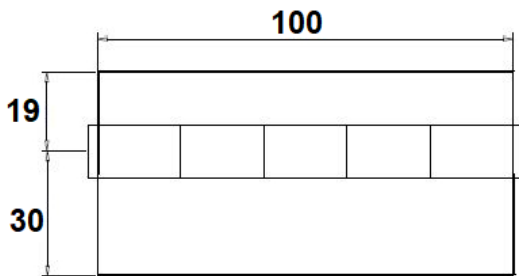


HTD-80SS RHD



Part Number	Product Description	Material
HTD-80SS-RHD	80mm Long canopy hinge thin strap	304 SS
9568SS	115mm Long canopy hinge triangle strap	304 SS

Butt Hinge - Weld on Stainless Steel



Part Number	Product Description	Material
HNG100x2.4-304	Weld on Offset Hinge 30mmx19mmx100mmx2.5mm	304 SS

*Note: Products in this catalogue are subject to availability*

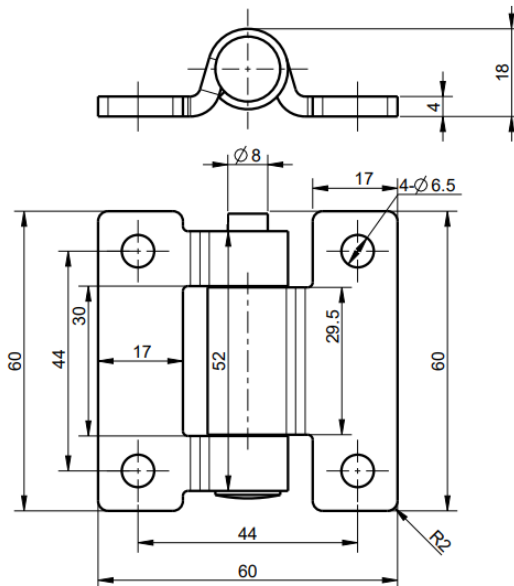
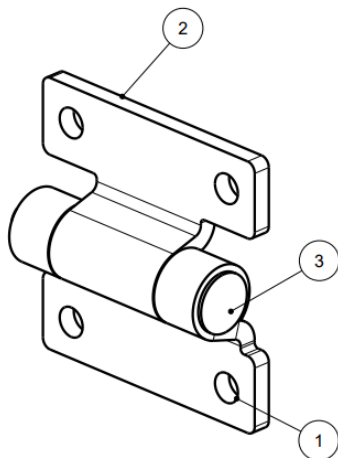
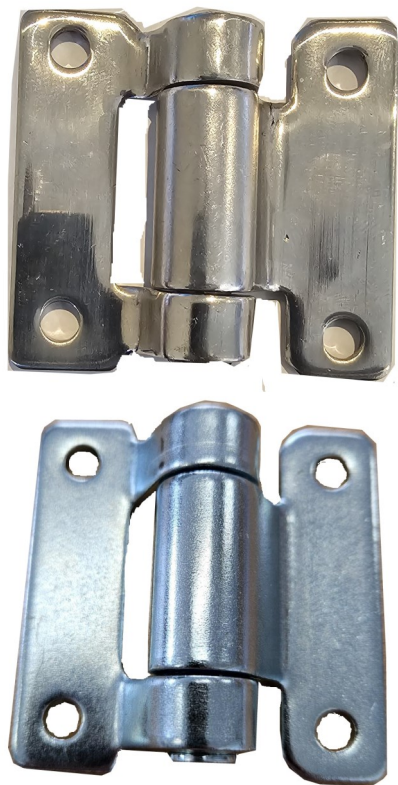


Head Office: Concept Fasteners VIC  
 9 Flight Drive, Tullamarine 3043, Victoria  
 Tel: (03) 9338 6633 Fax: (03) 9338 6433  
 : sales@conceptfasteners.com.au

Head Office: Concept Fasteners NSW  
 5 Liverpool St, Ingleburn 2565, NSW  
 Tel: (02) 9774 4416  
 : salesnsw@conceptfasteners.com.au

Head Office: Concept Fasteners QLD  
 Brisbane Branch Coming Soon!  
 : qldsales@conceptfasteners.com.au

**Heavy Duty Hinges**



**Part Number**

HNG6060ZP

HNG6060SS

**Product Description**

60 x 60 x 3.6mm thick

60 x 60 x 3.6 mm Thick

**Material**

ZP Steel

304 Stainless

*Note: Products in this catalogue are subject to availability*



**Head Office: Concept Fasteners VIC**  
 9 Flight Drive, Tullamarine 3043, Victoria  
 Tel: (03) 9338 6633 Fax: (03) 9338 6433  
 : sales@conceptfasteners.com.au

**Head Office: Concept Fasteners NSW**  
 5 Liverpool St, Ingleburn 2565, NSW  
 Tel: (02) 9774 4416  
 : salesnsw@conceptfasteners.com.au

**Head Office: Concept Fasteners QLD**  
 Brisbane Branch Coming Soon!  
 : qldsales@conceptfasteners.com.au