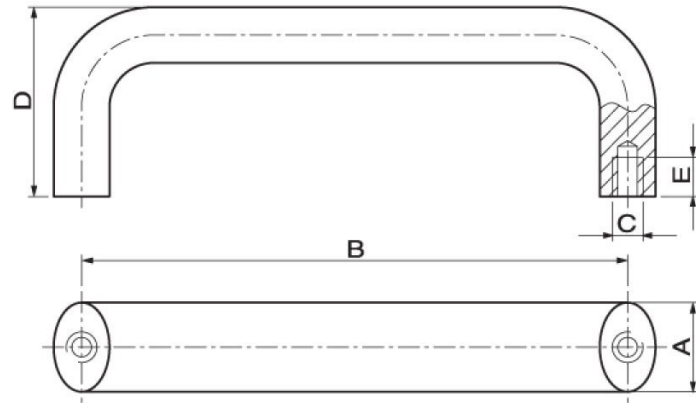


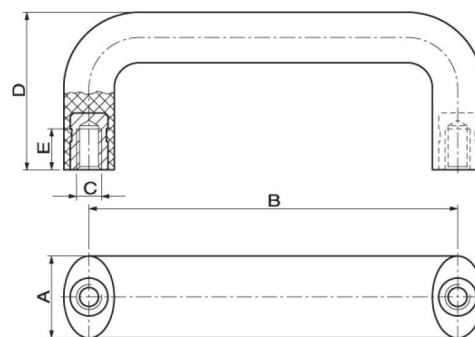
Cabinet "U" Handles 1200



Name	Material	Surfaced Process
Handle	Aluminium (AL)	Natural (N)
		Paint Black (BK)
		Paint Red (RD)
		Matt Silver (EL)
		Anodized Black (AB)

Part Code	A	B	C	D	E
1200-20-100	20	100	M6	50	10
1200-20-112	20	112	M6	50	10
1200-20-128	20	128	M6	50	10
1200-20-160	20	160	M6	50	10
1200-26-112	26	112	M8	55	12
1200-26-117	26	117	M8	55	12
1200-26-128	26	128	M8	55	12
1200-26-160	26	160	M8	55	12
1200-26-179	26	179	M8	55	12
1200-26-192	26	192	M8	55	12
1200-26-300	26	300	M8	55	12
1200-26-400	26	400	M8	55	12

Cabinet "U" Handles 1201

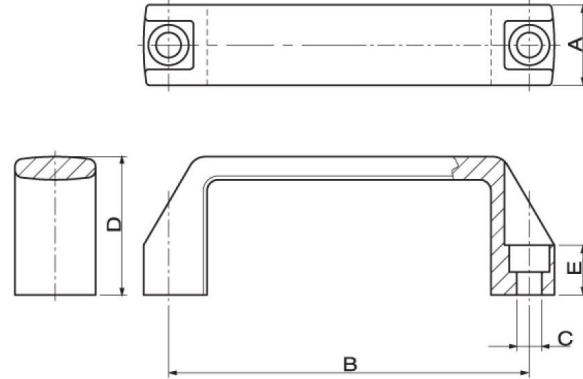


Name	Material	Surfaced Process
Handle	(KT)	
Spindle	Copper (CU)	Black

Part Code	A	B	C	D	E
1201-86-M6	24	86	M6	44	12
1201-117-M6	26	117	M6	48	13
1201-117-M8	26	117	M8	48	13
1201-179-M8	28	179	M8	57	13
1201-300-M10	33	300	M10	64	17

Note: Products in this catalogue are subject to availability

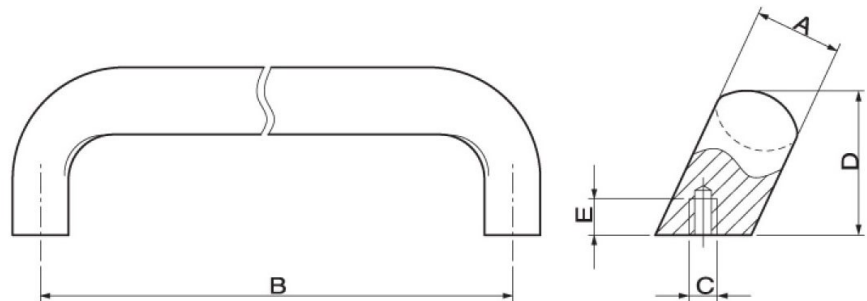
Bow Handles 1211



Name	Material	Surfaced Process
Handle	(KT)	Black (BK)
		Orange (OR)

Part Code	A	B	C	D	E
1211-94	21	94	6.5	36	13
1211-117	26	1117	8.5	41	15
1211-132	27	132	8.5	45	16
1211-179	28	179	8.5	50	17
1211-235	31	235	10.5	54	20

Cabinet "U" Handles



Name	Material	Surfaced Process
Handle	Aluminium (AL)	Natural (N)
		Paint Black (BK)
		Paint Red (RD)
		Matt Silver (EL)

Part Code	A	B	C	D	E
1220-20-112	20	112	M6	48	10
1220-20-128	20	128	M6	48	10
1220-26-28	26	128	M8	54	12
1220-26-160	26	160	M8	54	12

Note: Products in this catalogue are subject to availability

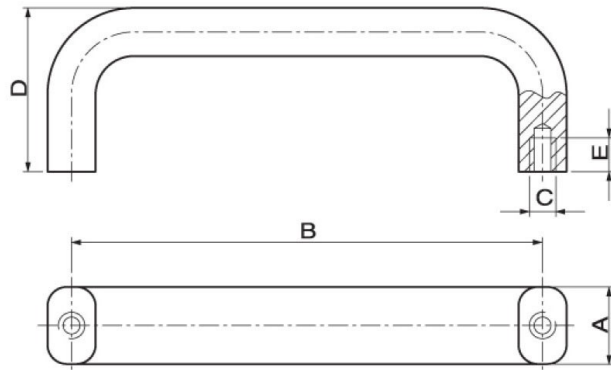


Head Office: Concept Fasteners VIC
 9 Flight Drive, Tullamarine 3043, Victoria
 Tel: (03) 9338 6633 Fax: (03) 9338 6433
 : sales@conceptfasteners.com.au

Head Office: Concept Fasteners NSW
 5 Liverpool St, Ingleburn 2565, NSW
 Tel: (02) 9774 4416
 : salesnsw@conceptfasteners.com.au

Head Office: Concept Fasteners QLD
 Brisbane Branch Coming Soon!
 : qldsales@conceptfasteners.com.au

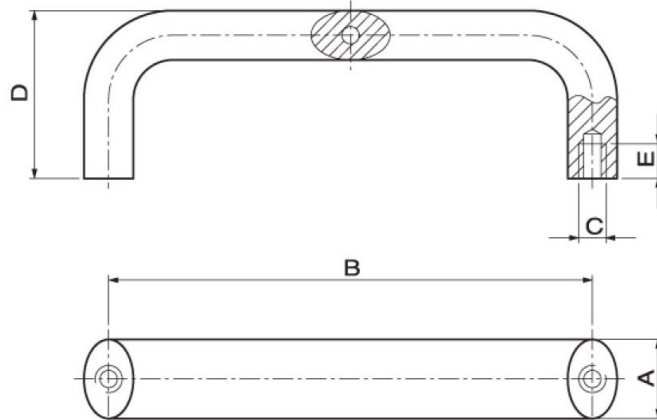
ST. Steel Cabinet “U” Handles 1230



Name	Material
Handle	Stainless Steel (SST)

Part Code	A	B	C	D	E
1230-100	20	100	M6	45	10
1230-112	20	112	M6	45	10
1230-117	20	117	M6	45	10
1230-128	20	128	M6	45	10
1230-150	20	150	M8	45	10
1230-179	20	179	M8	45	10
1230-250	20	250	M8	45	10
1230-288	20	288	M8	45	10
1230-350	20	350	M8	45	10

Cabinet “U” Handles 1240



Name	Material	Surfaced Process
Handle	Aluminum (AL)	Plastic Coating
		Black (BK)

Part Code	A	B	C	D	E
1240-112	28	112	M8	55	10
1240-117	28	117	M8	55	10
1240-128	28	128	M8	55	10
1240-160	28	160	M8	55	10
1240-179	28	179	M8	55	10
1240-192	28	192	M8	55	10

Note: Products in this catalogue are subject to availability

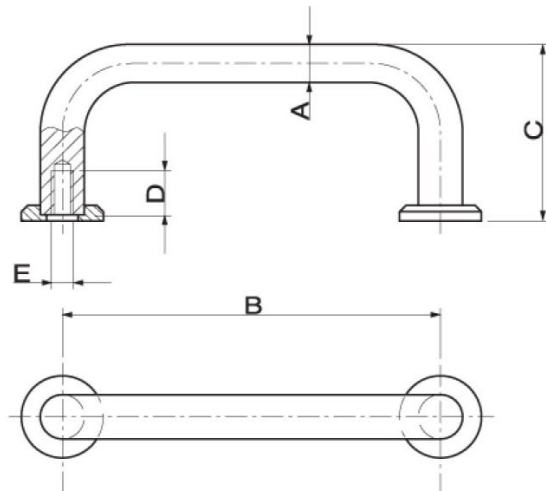


Head Office: Concept Fasteners VIC
 9 Flight Drive, Tullamarine 3043, Victoria
 Tel: (03) 9338 6633 Fax: (03) 9338 6433
 : sales@conceptfasteners.com.au

Concept Fasteners NSW
 5 Liverpool St, Ingleburn 2565, NSW
 Tel: (02) 9774 4416
 : salesnsw@conceptfasteners.com.au

Concept Fasteners QLD
 Brisbane Branch Coming Soon!
 : qldsales@conceptfasteners.com.au

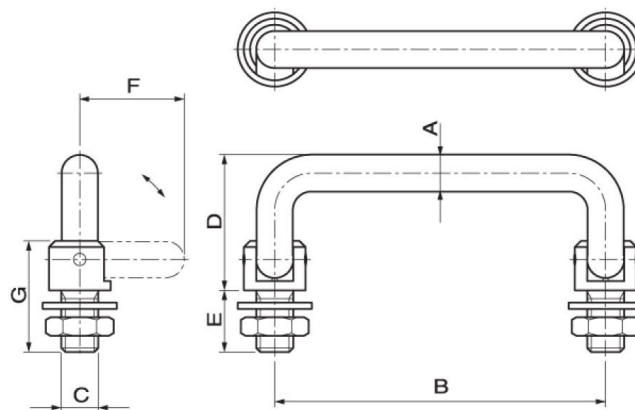
Cabinet "U" Handles 1270



Name	Material	Surface Process
Handle	Steel (ST)	Matt Silver (EL)
Location Disc	Steel (ST)	Chrome Bright (CR)

Part Code	A	B	C	D	E
1270-8-88	8	88	43	12	M4
1270-8-100	8	100	43	12	M4
1270-8-120	8	120	43	12	M4
1270-10-88	10	88	43	12	M5
1270-10-100	10	100	43	12	M5
1270-10-110	10	110	43	12	M5
1270-10-120	10	120	43	12	M5
1270-10-180	10	180	43	12	M5
1270-10-200	10	200	43	12	M5
1270-10-235	10	235	43	12	M5

Collapsible "U" Handles 1271



Name	Material	Surface Process
Handle	Steel (ST)	Chrome Bright (CR)
Nuts	Steel (ST)	Matt Black (B)

Part Code	A	B	C	D	E	F	G
1271-100-3/8	9	100	3/8-24	52	15	51	28
1271-120-M10	10	120	M10-1P	43	14	34	28
1271-180-M10	10	180	M10-1P	43	14	34	28

Note: Products in this catalogue are subject to availability

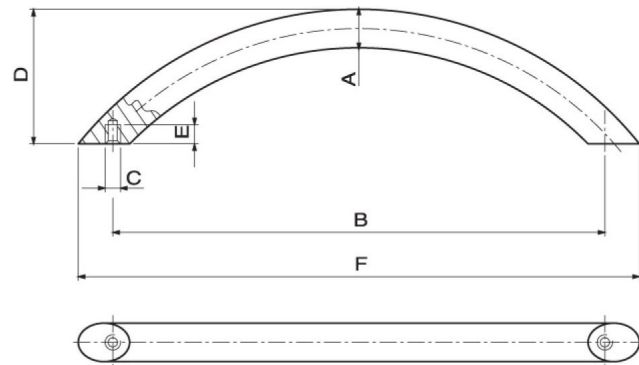


Head Office: Concept Fasteners VIC
 9 Flight Drive, Tullamarine 3043, Victoria
 Tel: (03) 9338 6633 Fax: (03) 9338 6433
 Email: sales@conceptfasteners.com.au

Head Office: Concept Fasteners NSW
 5 Liverpool St, Ingleburn 2565, NSW
 Tel: (02) 9774 4416
 Email: salesnsw@conceptfasteners.com.au

Head Office: Concept Fasteners QLD
 Brisbane Branch Coming Soon!
 Email: qldsales@conceptfasteners.com.au

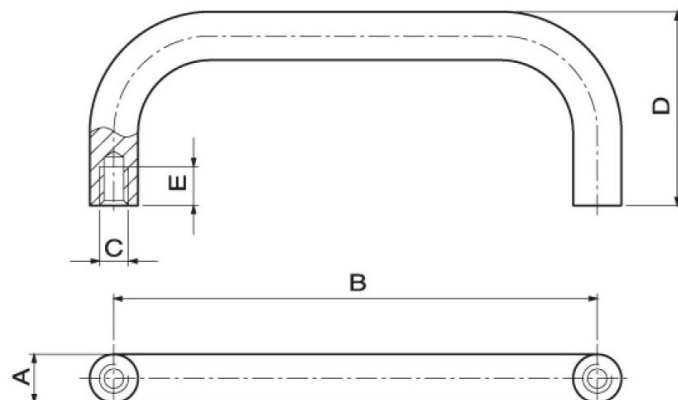
ST. Steel Arch Handles 1282



Name	Material
Handle	Stainless Steel (SST)

Part Code	A	B	C	D	E	F
1282-10-64	10	64	M4	35	5	75
1282-10-96	10	96	M4	35	5	111
1282-10-128	10	128	M4	35	5	146
1282-10-160	10	160	M4	35	5	181
1282-10-192	10	192	M4	35	5	219

Cabinet "U" Handles 1290



Name	Material	Surfaced Process
Handle	Aluminum (AL)	Natural (N)
		Paint Black (BK)
		Paint Red (RD)
		Matt Silver (EL)

Part Code	A	B	C	D	E
1290-20-200	20	200	M8	70	15
1290-20-250	20	250	M8	70	15
1290-20-300	20	300	M8	70	15
1290-20-350	20	350	M8	70	15
1290-20-400	20	400	M8	70	15
1290-28-250	28	250	M10	78	15
1290-28-300	28	300	M10	78	15
1290-28-350	28	350	M10	78	15
1290-28-400	28	400	M10	78	15

Note: Products in this catalogue are subject to availability