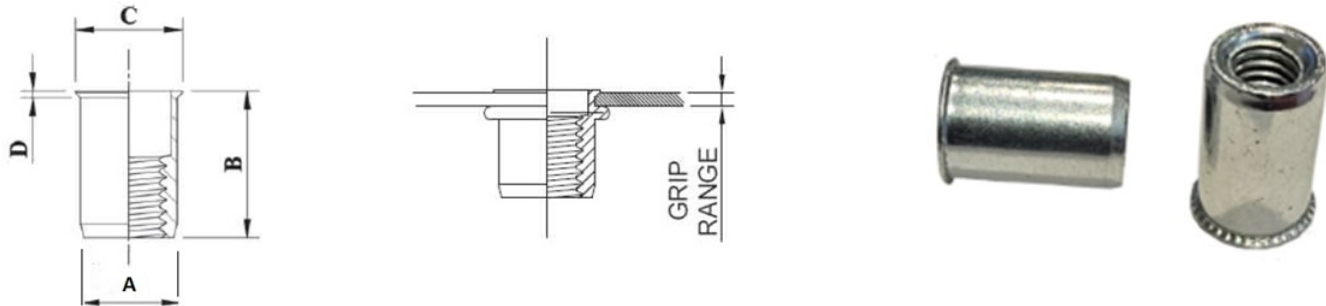


Countersunk Type Steel Reduced Head

Description	
Reduced head Non splined- Steel	
Optical for torque and load bearing applications in thin sheet	
Specifications	
Material	Carbon steel
Finish Clear	Zinc CR3



Dimensions

Part Code	Thread Size	Grip Range	Hole Size +0.1	A +0.05/-0.15	B ± 0.25	C ± 0.25	D ± 0.05/-0.15
INSERNUT M3	M3 x 0.5	0.5 - 1.5	4.75	4.6	9	5.84	0.6
INSERNUT M4	M4 x 0.7	0.5 - 2.5	6.35	6.25	10.5	6.9	0.6
INSERNUT M5	M5 x 0.8	0.5 - 3.0	7.15	7	12	7.7	0.6
INSERNUT M6	M6 x 1.00	0.7 - 3.5	9.55	9.4	15	10.5	0.6
INSERNUT M8	M8 x 1.25	0.9 - 3.0	10.6	10.5	16	11.3	0.6
INSERNUT M8	M8 x 1.25	1.0 - 4.0	10.6	10.5	19	11.3	0.6
INSERNUT M10	M10 x 1.50	1.0 - 4.0	12.7	12.6	19	13.7	0.75
INSERNUT M10 5.5	M10 x 1.50	3.5 - 5.0	12.7	12.6	22.5	13.7	0.75
INSERNUT M12	M12 x 1.75	1.0 - 4.0	16	15.9	23	17.2	1

Thread Size	Pull-Out KN	Push-Out KN	Torque- To_turn Nm	Maximum Torque
M3 x 0.5	2.7	0.8	0.5	1.6
M4 x 0.7	6.1	1.5	2.1	5.2
M5 x 0.8	8	1.9	2.5	7.8
M6 x 1.00	11.4	2.5	3.3	12.7
M8 x 1.25	15.8	2.8	3.6	16.7
M10 x 1.50	19.1	3.7	4.4	34.3
M12 x 1.75	N/A	N/A	N/A	N/A

Value higher than stated due to bolt breakage, figure provided for guidance.

All figure are indicative and subject to change without notice. Testing should be carried out for each application

Note: Products in this catalogue are subject to availability



Head Office: Concept Fasteners VIC
 9 Flight Drive, Tullamarine 3043, Victoria
 Tel: (03) 9338 6633 Fax: (03) 9338 6433
 : sales@conceptfasteners.com.au

Concept Fasteners NSW
 5 Liverpool St, Ingleburn 2565, NSW
 Tel: (02) 9774 4416
 : salesnsw@conceptfasteners.com.au

Concept Fasteners QLD
 Brisbane Branch Coming Soon!
 : qldsales@conceptfasteners.com.au

Countersunk Type Stainless Steel Reduced Head

Description

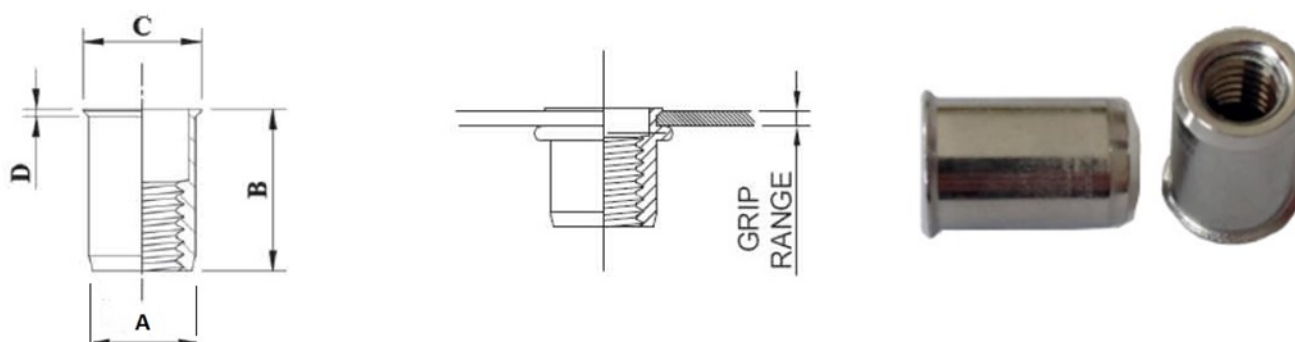
Reduced head Non splined - Stainless Steel

Optimal for light duty applications where corrosive atmospheres present a risk for plated fasteners

Specifications

Material Stainless Steel

Finish Clear Natural

**Dimensions**

Part Code	Thread Size	Grip Range	Hole Size +0.1	A +0.05/- 0.15	B ± 0.25	C ± 0.25	D ± 0.25
INSERT M3SS	M3 x 0.5	0.50 - 2.0	4.75	4.65	9.1	5.77	0.6
INSERT M4SS	M4 x 0.7	0.5 x 2.5	6.35	6.25	10.4	7.5	0.6
INSERT M5SS	M5 x 0.8	0.5 - 3.0	7.15	7	11.8	8.2	0.6
INSERT M6SS	M6 x 1.0	0.5 - 3.5	9.55	9.4	14.6	10.8	0.6
INSERT M8SS	M8 x 1.25	0.9 - 3.5	10.6	10.45	16.1	11.7	0.6
INSERT M10SS	M10 x 1.50	1.0 - 3.7	14.35	14.2	18.6	15.8	1.75
INSERT M12SS	M12 x 1.75	1.0 - 4.0	16	15.8	22.5	17.2	0.75

Thread Size	Pull-Out KN	Push-Out KN	Torque-To-Turn NM	Maximum Torque
M4 x 0.70	10.62	10.2	N/A	4.9
M5 x 0.8	16.7	16.7	N/A	9.3
M6 x 1.0	21.6	21.6	N/A	16.2
M8 x 1.25	30.5	30.5	N/A	30.4

Value higher than stated due to bolt breakage, figure provided for guidance.

All figure are indicative and subject to change without notice. Testing should be carried out for each application

Note: Products in this catalogue are subject to availability



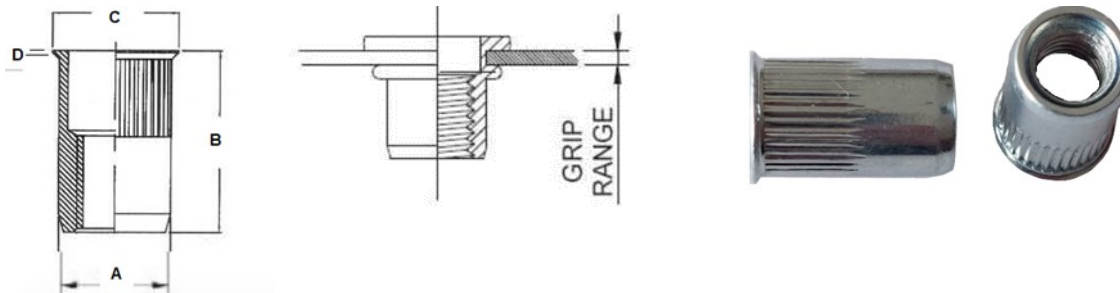
Head Office: Concept Fasteners VIC
9 Flight Drive, Tullamarine 3043, Victoria
Tel: (03) 9338 6633 Fax: (03) 9338 6433
: sales@conceptfasteners.com.au

Head Office: Concept Fasteners NSW
5 Liverpool St, Ingleburn 2565, NSW
Tel: (02) 9774 4416
: salesnsw@conceptfasteners.com.au

Head Office: Concept Fasteners QLD
Brisbane Branch Coming Soon!
: qldsales@conceptfasteners.com.au

Open End Steel Reduced Head Splined- Euro Measurement

Description	
Reduced head splined - Steel	
Optical for low push-out applications, uses hard metric holes, tapered entry, torque to turn resistance of plus	
Specifications	
50% on round bodied	
Material	Carbon Steel
Finish Clear	Zinc CR3

**Dimensions**

Part Code	Thread Size	Grip Range	Hole Size +0.1	A +0.05/-0.15	B ± 0.25	C ± 0.25	D ± 0.25
EURO M3SP	M3 x 0.5	0.5 - 2.0	5	4.85	9	6.35	1
EURO M4SP	M4 x 0.7	0.5 - 2.5	6	5.85	9.5	6.35	1.5
EURO M5SP	M5 x 0.8	0.5 - 2.5	7	6.85	12	7.45	1.5
EURO M5SP4	M5 x 0.8	2.5 - 4.0	7	6.85	14	8	1.5
EURO M6SP	M6 x 1.0	0.7 - 4.0	9	8.85	15	9.85	1.5
EURO M6SP5	M6 x 1.0	2.0 - 5.0	9	8.85	17	10	1.5
EURO M8SP	M8 x 1.25	1.0 - 3.0	11	10.85	16	11.9	1.5
EURO M10SP	M10 x 1.5	1.0 - 4.0	13	12.85	20.5	9.85	1.5
EURO M12SP	M12 x 1.75	1.0 - 4.0	16	15.85	24	11.9	1.75

Thread Size	Pull-Out KN	Push-Out KN	Torque- To_turn Nm	Maximum Torque
M4 x 0.7	3.5	1.2	2	4.9
M5 x 0.8	7.7	1.4	2.7	7.8
M6 x 1.0	15.7	2.5	4.9	12.3
M8 x 1.25	18.1	3.4	9.1	32
M10 x 1.50	20.8	3.9	16.7	45

Value higher than stated due to bolt breakage, figure provided for guidance.

All figure are indicative and subject to change without notice. Testing should be carried out for each application

Note: Products in this catalogue are subject to availability



Head Office: Concept Fasteners VIC
 9 Flight Drive, Tullamarine 3043, Victoria
 Tel: (03) 9338 6633 Fax: (03) 9338 6433
 : sales@conceptfasteners.com.au

Concept Fasteners NSW
 5 Liverpool St, Ingleburn 2565, NSW
 Tel: (02) 9774 4416
 : salesnsw@conceptfasteners.com.au

Concept Fasteners QLD
 Brisbane Branch Coming Soon!

: qldsales@conceptfasteners.com.au

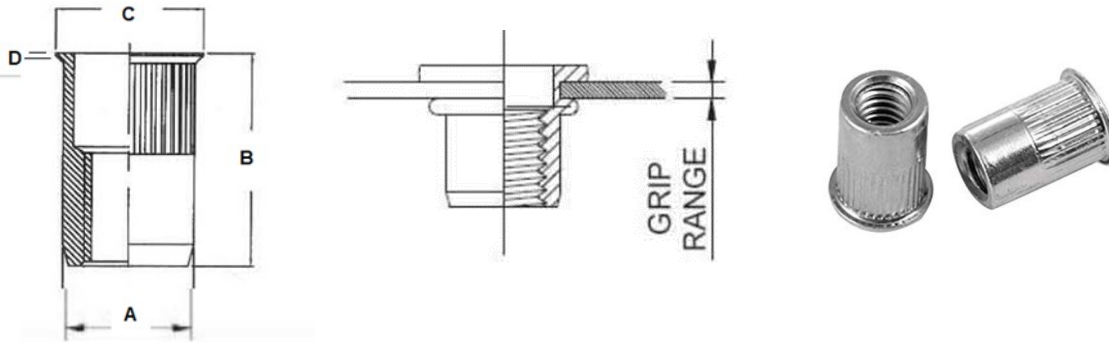
Open End Steel Reduced Head - Splined

Description

Reduced Head - Splined Rivet Nuts

Specifications

Material	Carbon steel
Finish Clear	CR3



Dimensions

Part Code	Thread Size	Grip Range	Hole Size +0.1	A +0.05/-0.15	B ± 0.25	C ± 0.25	D
INSERNUT M3SP	M3 x 0.5	0.5 - 1.5	4.75	4.7	9	5.84	0.5
INSERNUT M4SP	M4 x 0.7	0.5 - 2.5	6.3	6.25	10.5	6.9	0.5
INSERNUT M5SP	M5 x 0.8	0.5 - 3.0	7.1	6.65	12	7.7	0.5
INSERNUT M6SP	M6 x 1.0	0.5 - 3.0	9.5	9.05	15	10.5	0.5
INSERNUT M8SP	M8 x 1.25	1.0 - 4.0	10.5	10.05	16	11.3	0.5
INSERNUT M10SP	M10 x 1.5	10. - 4.0	10.5	10.05	19	13.7	0.75
INSERNUT M10SP5.5	M10 x 1.5	3.5 - 5.0	12.7	12.65	22.5	13.7	1
INSERNUT M12SP	M12 x 1.75	1.0 - 4.0	16	15.85	16	17	1.5

Thread Size	Pull-Out KN	Push-Out KN	Torque- To_turn Nm	Maximum Torque
M3 x 0.5	2.7	0.8	0.5	1.6
M4 x 0.7	6.1	1.5	2.1	5.2
M5 x 0.8	8	1.9	2.5	7.8
M6 x 1.0	11.4	2.5	3.3	12.7
M8 x 1.25	15.8	2.8	3.6	16.7
M10 x 1.5	19.1	3.7	4.4	34.3
M10 x 1.5	19.1	3.7	4.4	34.3
M12 x 1.75	N/A	N/A	N/A	N/A

Value higher than stated due to bolt breakage, figure provided for guidance.

All figure are indicative and subject to change without notice. Testing should be carried out for each application

Note: Products in this catalogue are subject to availability



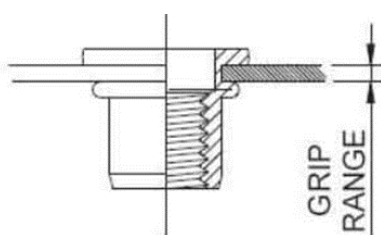
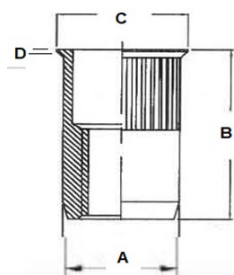
Head Office: Concept Fasteners VIC
 9 Flight Drive, Tullamarine 3043, Victoria
 Tel: (03) 9338 6633 Fax: (03) 9338 6433
 : sales@conceptfasteners.com.au

Concept Fasteners NSW
 5 Liverpool St, Ingleburn 2565, NSW
 Tel: (02) 9774 4416
 : salesnsw@conceptfasteners.com.au

Concept Fasteners QLD
 Brisbane Branch Coming Soon!
 : qldsales@conceptfasteners.com.au

Open End Stainless Steel Reduced Head - Splined

Description	
Reduced head splined- Stainless Steel	
Specifications	
Material	Stainless steel
Finish Clear	Natural



Dimensions							
Part Code	Thread Size	Grip Range	Hole Size +0.1	A -0.15	B ± 0.25	C ± 0.25	D ± 0.6
INSERNUT M3SPSS	M3 x 0.5	0.5 - 2.0	5	4.85	9	6	0.6
INSERNUT M4SPSS	M4 x 0.7	0.5 - 2.5	6	5.85	11	7	0.6
INSERNUT M4SPSS4	M4 x 0.7	2.5 - 4.0	6	5.85	12	7	0.6
INSERNUT M5SPSS	M5 x 0.8	0.5 - 3.0	7	6.85	12.5	8	0.6
INSERNUT M5SPSS4.5	M5 x 0.8	3.0 - 4.5	7	6.85	13.5	8	0.6
INSERNUT M6SPSS	M6 x 1.0	0.5 - 3.0	9	8.85	14	10	0.6
INSERNUT M6SPSS5	M6 x 1.0	3.0 - 5.0	9	8.85	16.5	10	0.6
INSERNUT M8SPSS	M8 x 1.25	0.5 - 3.0	11	10.85	16	12	0.6
INSERNUT M8SPSS5.5	M8 x 1.25	3.0 - 5.5	11	10.85	18.5	12	0.6
INSERNUT M10SPSS	M10 x 1.50	1.0 - 3.5	13	12.85	19	14.2	0.6
INSERNUT M10SPSS6	M10 x 1.50	3.5 - 6.0	13	12.85	21.5	14.2	0.6

Thread Size	Pull-Out KN	Push-Out KN	Torque- To_turn Nm	Maximum Torque
M4 x 0.7	10.2	10.2	N/A	4.9
M5 x 0.8	16.7	16.7	N/A	9.3
M6 x 1.0	21.6	21.6	N/A	16.2
M8 x 1.25	30.5	30.5	N/A	30.4

Note: Products in this catalogue are subject to availability



Head Office: Concept Fasteners VIC
 9 Flight Drive, Tullamarine 3043, Victoria
 Tel: (03) 9338 6633 Fax: (03) 9338 6433
 : sales@conceptfasteners.com.au

Head Office: Concept Fasteners NSW
 5 Liverpool St, Ingleburn 2565, NSW
 Tel: (02) 9774 4416
 : salesnsw@conceptfasteners.com.au

Head Office: Concept Fasteners QLD
 Brisbane Branch Coming Soon!
 : qldsales@conceptfasteners.com.au

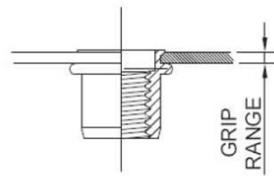
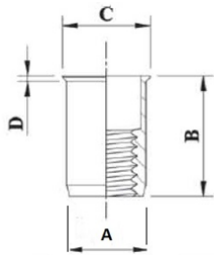
Open End Steel Reduced Head— Aluminium

Aluminium Reduced Head Rivet Nuts

Specifications

Material Aluminium

Finish Clear



Dimensions

Part Code	Thread Size	Grip Range	Hole Size +0.1	A +0.05/-0.15	B + 0.25	C + 0.25	D ± 0.1
INSERNUT M3A	M3 x 0.5	0.5 - 1.5	5.1	5	6	9	0.5
INSERNUT M4A	M4 x 0.7	0.8 - 2.5	6.1	6	7	11	0.5
INSERNUT M5A	M5 x 0.8	0.8 - 2.5	7.1	7	8	12	0.5
INSERNUT M6A	M6 x 1.0	1.0 - 2.5	9.1	9	10	14	0.5
INSERNUT M8A	M8 x 1.25	1.0 - 2.5	11.1	11	12	15.5	0.7
INSERNUT M10A	M10 x 1.5	1.0 - 2.5	13.1	13	14	16	0.7

Note: Products in this catalogue are subject to availability



Head Office: Concept Fasteners VIC
 9 Flight Drive, Tullamarine 3043, Victoria
 Tel: (03) 9338 6633 Fax: (03) 9338 6433
 : sales@conceptfasteners.com.au

Concept Fasteners NSW
 5 Liverpool St, Ingleburn 2565, NSW
 Tel: (02) 9774 4416
 : salesnsw@conceptfasteners.com.au

Concept Fasteners QLD
 Brisbane Branch Coming Soon!
 : qldsales@conceptfasteners.com.au

Open End Steel Zinc AK Type - With Knurl

Description

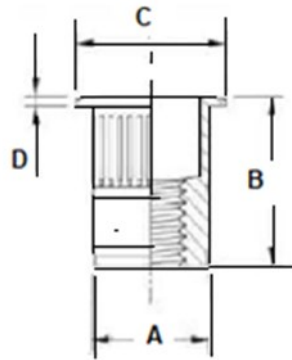
Small Flange splined AVK-AK series

Highest resistance to vibration and spin out of all round bodied Rivet nuts. Flange with near flush finish. Very wide grip range series and low Torque installation.

Specifications

Material Carbon Steel

Finish Clear Zinc CR3



Dimensions

Part Code	Thread Size	Grip Range	Hole Size + 0 - 0.15	A Max	B ± 0.25	C ± 0.25	D ± 0.25
INSERNUT M4 AVK-AK	M4 x 0.7	0.5 - 2.0	6.75	6.73	11.7	7.8	0.5
INSERNUT M4 AVK-AK 3.3	M4 x 0.7	2.0 - 3.3	6.75	6.73	11.94	7.87	0.5
INSERNUT M5 AVK-AK	M5 x 0.80	0.5-3.3	7.6	7.52	13.1	8.6	0.5
INSERNUT M5 AVK-AK	M5 x 0.80	3.3 - 5.7	7.6	7.52	15.3	8.6	0.5
INSERNUT M6 AVK-AK	M6 x 1.0	0.7 - 4.0	10	9.91	15.8	11.5	0.6
INSERNUT M6 AVK-AK6.6	M6 x 1.0	4.2 - 6.6	10	9.91	17.27	11.56	0.6
INSERNUT M8 AVK-AK	M8 x 1.25	0.7 - 3.8	13.5	13.46	18.7	15.1	0.6
INSERNUT M8 AVK-AK7.9	M8 x 1.25	3.8 - 7.9	13.5	13.46	20.45	15.1	0.6
INSERNUT M10 AVK-AK	M10 x 1.50	0.7 - 3.80	13.5	13.46	18.7	15.1	0.6
INSERNUT M10 AVK-AK7.9	M10 - 1.50	3.8 - 7.9	13.5	13.46	20.45	15.1	0.6

Thread Size	Pull-Out KN	Push-Out KN	Torque-To turn Nm	Maximum Torque
M4 x 0.7	2.3	1	1.5	6.1
M5 x 0.80	4.4	1.8	1.9	10.3
M6 x 1.0	9.8	2.3	2.9	17.6
M8 x 1.25	19.1	3.3	3.8	N/A
M10 x 1.50	19.1	3.3	3.8	N/A

Value higher than stated due to bolt breakage, figure provided for guidance.

All figure are indicative and subject to change without notice. Testing should be carried out for each application

Note: Products in this catalogue are subject to availability



Head Office: Concept Fasteners VIC
9 Flight Drive, Tullamarine 3043, Victoria
Tel: (03) 9338 6633 Fax: (03) 9338 6433
✉ : sales@conceptfasteners.com.au

Concept Fasteners NSW
5 Liverpool St, Ingleburn 2565, NSW
Tel: (02) 9774 4416
✉ : salesnsw@conceptfasteners.com.au

Concept Fasteners QLD
Brisbane Branch Coming Soon!
✉ : qldsales@conceptfasteners.com.au