

Open End Type Steel Large Flange

Description

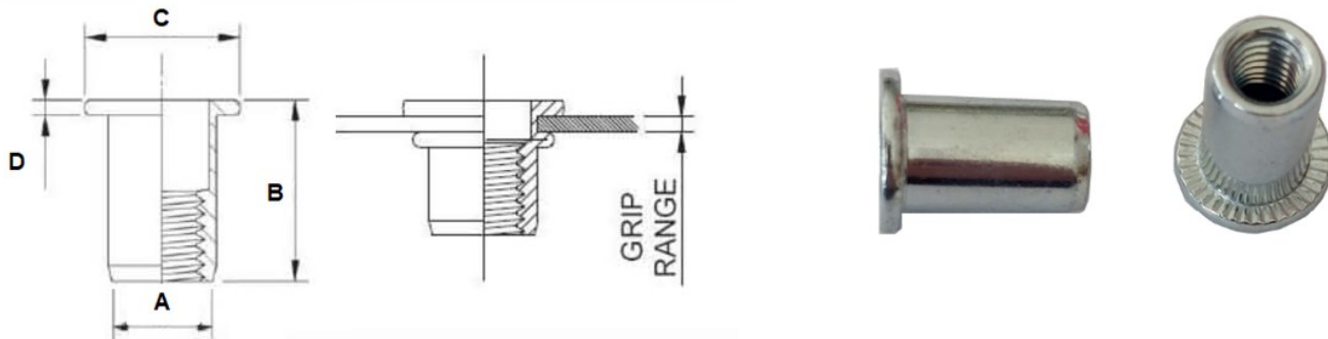
Large Flange Non splined - Steel

Optical for low torque and load bearing applications in thin sheet material

Specifications

Material low Carbon

Finish Clear Zinc CR3



Dimensions

Part Code	Thread Size	Grip Range	Hole Size +- 0.1	A +0.05/-0.15	B ± 0.25	C ± 0.25	D ± 0.25
INSERNUT M3LF	M3 x 0.5	0.5 - 2.5	5.1	5	8	8	0.8
INSERNUT M4LF	M4 x 0.7	0.5 - 2.5	6.1	6	9.5	9	1
INSERNUT M5LF	M5 x 0.80	0.5 - 2.5	7.1	7	11	10	1
INSERNUT M6LF	M6 x 1.0	0.0 - 3.0	9.1	9	14	12.8	1.5
INSERNUT M6LF 5.0	M6 x 1.0	3.0 - 5.0	9.1	9	18.5	12.8	1.5
INSERNUT M8LF	M8 x 1.25	1.0 - 4.0	11.1	11	15	14	1.5
INSERNUT M10LF	M10 x 1.50	1.0 - 3.5	13.1	13	21	16.3	1.5
INSERNUT M10LF 4.5	M10 x 1.50	3.0 - 4.5	13.1	13	24	16.3	1.5
INSERNUT M10LF 6.0	M10 x 1.50	4.5 - 6.0	13.1	13	25.5	16.3	1.5
INSERNUT M12LF	M12 x 1.75	2.0 - 4.0	16.1	16	24	23	2
INSERNUT M16LF	M16 x 2.0	3.0 - 4.0	21	20.5	32.8	26	2.5

Thread Size	Pull-Out KN	Push-Out KN	Torque-To_turn Nm	Maximum Torque
M4 x 0.7	5.4	2.7	2.2	5.4
M5 x 0.80	7.8	4.1	2.7	8.3
M6 x 1.0	11.6	6.3	3.6	13.2
M8 x 1.25	14.8	7.9	3.9	17.6
M10 x 1.50	18.36	11.22	3.9	N/A
M16 x 2.0	88.57	N/A	N/A	N/A

Value higher than stated due to bolt breakage, figure provided for guidance.

All figure are indicative and subject to change without notice. Testing should be carried out for each application

Note: Products in this catalogue are subject to availability



Head Office: Concept Fasteners VIC
9 Flight Drive, Tullamarine 3043, Victoria
Tel: (03) 9338 6633 Fax: (03) 9338 6433
✉ : sales@conceptfasteners.com.au

Concept Fasteners NSW
5 Liverpool St, Ingleburn 2565, NSW
Tel: (02) 9774 4416
✉ : salesnsw@conceptfasteners.com.au

Concept Fasteners QLD
Brisbane Branch Coming Soon!
✉ : qldsales@conceptfasteners.com.au

Open End Type Stainless Large Flange

Description

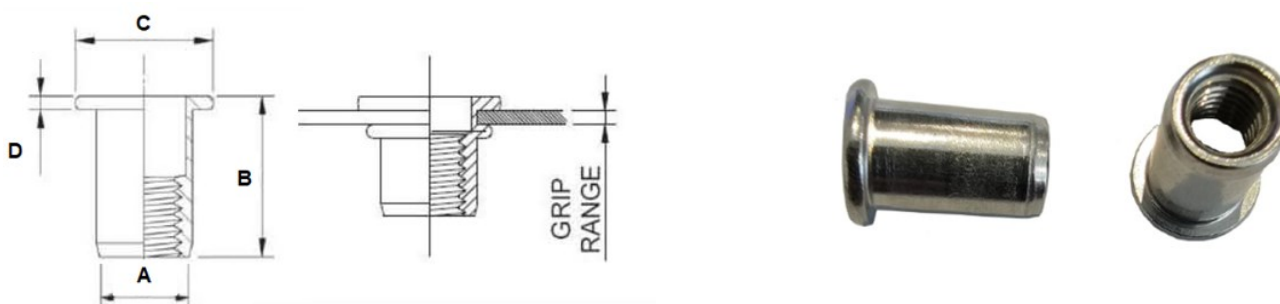
Large Flange Non splined - Stainless Steel

Optical for low torque and load bearing applications in thin sheet material that require extra high corrosion resistance

Specifications

Material Stainless Steel 304

Finish Clear Natural



Dimensions

Part Code	Thread Size	Grip Range	Hole Size +0.1	A -0.15	B ± 0.35	C ± 0.35	D ± 0.15
INSERNUT M3LFSS	M3 x 0.50	0.3-2.0	5	5	9	8	1
INSERNUT M4LFSS	M4 x 0.7	0.3-2.5	6	6	11	9	1
INSERNUT M4LFSS4.0	M4 x 0.7	2.5-4.0	6	6	12.5	9	1
INSERNUT M5LFSS	M5 x 0.80	0.3-3.0	7	7	12	10	1
INSERNUT M5LFSS4.5	M5 x 0.80	3.0-4.5	7	7	13.5	10	1
INSERNUT M6LFSS	M6 x 1.00	0.5-3.0	9	9	14	13	1
INSERNUT M6LFSS5.5	M6 x 1.00	3.0-5.5	9	9	16	13	1.5
INSERNUT M8LFSS	M8 x 1.25	0.5-3.0	11	11	16	16	1.5
INSERNUT M8LFSS5.5	M8 x 1.25	3.0-5.5	11	11	18.5	16	1.5
INSERNUT M10LFSS	M10 x 1.50	1.0-3.5	13	13	19	17	1.5
INSERNUT M10LFSS6.0	M10 x 1.50	3.5-6.0	13	13	21	17	1.5
INSERNUT M12LFSS	M12 x 1.75	1.0-4.0	16	16	23	22	2

Thread Size	Pull-Out KN	Push Out	Torque-To_turn Nm	Maximum Torque
M5	>14.50	6.5	3	>16.0
M6	>27.0	9.8	6.8	>22.0
M8	>40.0	12.7	9	>70.0
M10	>43.0	12.7	13	>70.0
M12	>70.0	14	25	>130.0

Value higher than stated due to bolt breakage, figure provided for guidance.

All figure are indicative and subject to change without notice. Testing should be carried out for each application

Note: Products in this catalogue are subject to availability

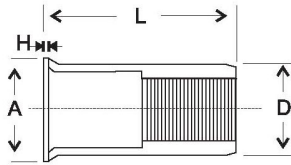


Head Office: Concept Fasteners VIC
9 Flight Drive, Tullamarine 3043, Victoria
Tel: (03) 9338 6633 Fax: (03) 9338 6433
: sales@conceptfasteners.com.au

Head Office: Concept Fasteners NSW
5 Liverpool St, Ingleburn 2565, NSW
Tel: (02) 9774 4416
: salesnsw@conceptfasteners.com.au

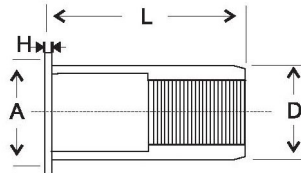
Head Office: Concept Fasteners QLD
Brisbane Branch Coming Soon!
: qldsales@conceptfasteners.com.au

Open End Steel Reduced Head - Imperial Measurement



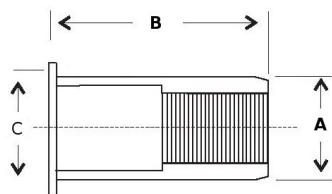
Part Number	Thread Size	Grip Range (inch)	Hole Size +0.01 -0.01	D +0.000 -0.004	H	L +0.008 -0.008	A +0.008 -0.008
INSERNUT 8/32	UNC 8-32	0.02-0.10	0.253	0.249	0.020	0.409	0.289
INSERNUT 3/16	UNC 10-24	0.02-0.10	0.284	0.280	0.020	0.464	0.320
INSERNUT 1/4	UNC 1/4	0.04-0.15	0.378	0.374	0.020	0.575	0.414
INSERNUT 5/16	UNC 5/16	0.04-0.16	0.420	0.416	0.020	0.630	0.456
INSERNUT 3/8	UNC 3/8	0.04-0.16	0.504	0.500	0.020	0.708	0.540

Open End Steel Large Flange - Imperial Measurement



Part Number	Thread Size	Grip Range (inch)	Hole Size +0.0 -0.01	D +0.000 -0.004	H	L +0.008 -0.008	A +0.008 -0.008
INSERNUT 8/32 LF	UNC 8-32	0.02-0.10	0.240	0.236	0.032	0.413	0.354
INSERNUT 3/16 LF	UNC 10-24	0.02-0.10	0.280	0.276	0.040	0.453	0.393
INSERNUT 1/4 LF	UNC 1/4	0.04-0.14	0.358	0.354	0.059	0.571	0.512
INSERNUT 5/16 LF	UNC 5/16	0.04-0.16	0.437	0.433	0.059	0.650	0.517
INSERNUT 3/8 LF	UNC 3/8	0.04-0.16	0.516	0.512	0.059	0.748	0.630

Open End Steel Bright Zinc 3/8 UNC - Large Flange



Part Number	Thread Size	Grip Range	Hole Size +0.1	A +0.05/-0.15	B +0.25	C +0.25
INSERNUT 3/8/LFCR3	3/8"	0.5 - 3	0.516	0.51"	0.76"	0.67"
INSERNUT 3/8/LFZ	3/8"	0.5 - 3	0.490	0.489"	0.74"	0.77"

Thread Size	Screw Tensile KGF/N		Screw Torque KGF.CM/IN-LBS	
INSERNUT 3/8/LFCR3	3100	30300	322	280
INSERNUT 3/8/LFZ	3100	30300	322	280

Note: Products in this catalogue are subject to availability



Head Office: Concept Fasteners VIC
 9 Flight Drive, Tullamarine 3043, Victoria
 Tel: (03) 9338 6633 Fax: (03) 9338 6433
 Email: sales@conceptfasteners.com.au

Concept Fasteners NSW
 5 Liverpool St, Ingleburn 2565, NSW
 Tel: (02) 9774 4416
 Email: salesnsw@conceptfasteners.com.au

Concept Fasteners QLD
 Brisbane Branch Coming Soon!
 Email: qldsales@conceptfasteners.com.au

Open End Steel Large Flange Splined Euro measurement

Description

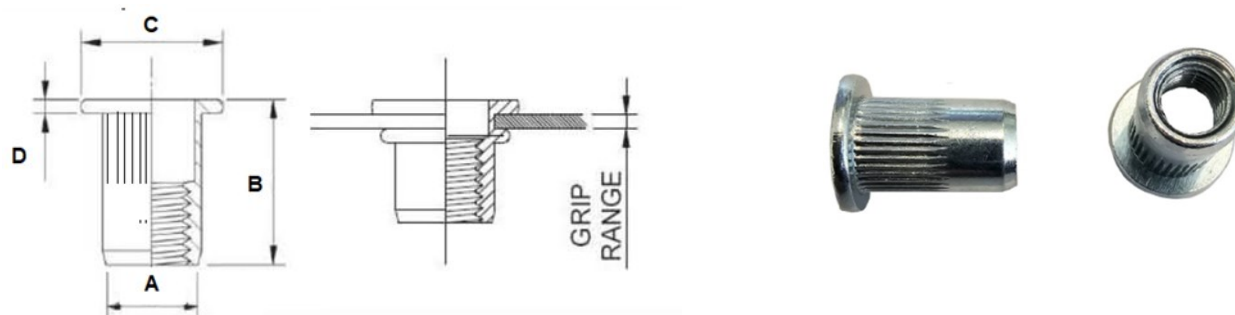
Large Flange splined - Steel

Optical for high push-out applications, uses hard metric holes, tapered entry, torque to turn resistance of plus

Specifications

50% on round bodied

Material Carbon Steel
Finish Clear Zinc CR3



Dimensions

Part Code	Thread Size	Grip Range	Hole Size +0.1	A +0.05/-0.15	B ± 0.25	C ± 0.25	D ± 0.25
EURO M3SPLF	M3 x 0.5	0.5 - 2.0	5	4.85	10.5	8	1
EURO M4SPLF	M4 x 0.7	0.5 - 2.5	6	5.85	11.5	9	1
EURO M5SPLF	M5 x 0.8	0.7 - 3.0	7	6.85	13	10	1.5
EURO M6SPLF	M6 x 1.0	0.8 - 3.0	9	8.85	16	13	1.5
EURO M8SPLF	M8 x 1.25	1.0 - 3.0	11	10.85	1.5	16	1.5
EURO M10SPLF	M10 x 1.5	1.0 - 3.5	13	12.85	21	17	1.75
EURO M10SPLF 4.5	M10 x 1.5	1.0 - 4.5	13	12.85	24	19	1.75
EURO M12SPLF	M12 x 1.75	1.0 - 4.0	16	15.9	25.2	21.7	2

Thread Size	Pull-Out KN	Push-Out KN	Torque- To_turn Nm	Maximum Torque
M4 x 0.7	9.6	2.1	2.4	5.4
M5 x 0.80	13.6	3.5	3.4	7.8
M6 x 1.0	16	5.3	4.7	12.7
M8 x 1.25	18.1	7.9	6.8	16.5
M10 x 1.50	21.6	10.8	8.8	34.3

Value higher than stated due to bolt breakage, figure provided for guidance.

All figure are indicative and subject to change without notice. Testing should be carried out for each application

Note: Products in this catalogue are subject to availability



Head Office: Concept Fasteners VIC
 9 Flight Drive, Tullamarine 3043, Victoria
 Tel: (03) 9338 6633 Fax: (03) 9338 6433
 : sales@conceptfasteners.com.au

Head Office: Concept Fasteners NSW
 5 Liverpool St, Ingleburn 2565, NSW
 Tel: (02) 9774 4416
 : salesnsw@conceptfasteners.com.au

Head Office: Concept Fasteners QLD
 Brisbane Branch Coming Soon!
 : qldsales@conceptfasteners.com.au

Open End Stainless Steel Large Flange - Splined

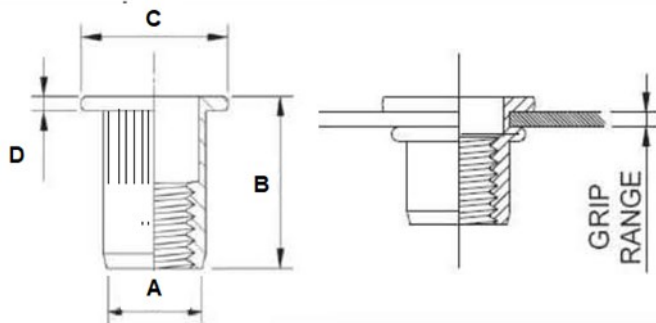
Description

Large Flange splined - Stainless Steel

Highest resistance to vibration and spin-out of all round bodied inserts, flange with near flush finish, very wide grip range.

Specifications

Material Stainless steel
Finish Clear Natural



Dimensions

Part Code	Thread Size	Grip Range	Hole Size +0.1	A +0.05/-0.15	B ± 0.25	C ± 0.25	D ± 0.25
INSERNUT M3LFSPSS	M3 x 0.5	0.3 - 2.0	5	4.85	9	8	0.9
INSERNUT M4LFSPSS	M4 x 0.7	0.3 - 2.5	6	5.85	11	9	1
INSERNUT M4LFSPSS4.0	M4 x 0.7	2.5 - 4.0	6	5.85	12.5	9	1
INSERNUT M5LFSPSS	M5 x 0.8	0.3 - 3.0	7	6.85	12	10	1
INSERNUT M5LFSPSS4.5	M5 x 0.8	3.0 - 4.5	7	6.85	13.5	10	1
INSERNUT M6LFSPSS	M6 x 1.0	0.5 - 3.0	9	8.85	14	13	1.5
INSERNUT M6LFSPSS5.0	M6 x 1.0	3.0 - 5.0	9	8.85	16	13	1.5
INSERNUT M8LFSPSS	M8 x 1.25	0.5 - 3.0	11	10.85	16	16	1.5
INSERNUT M8LFSPSS5.5	M8 x 1.25	3.0 - 5.5	11	10.85	18.5	16	1.5
INSERNUT M10LFSPSS	M10 x 1.50	1.0 - 3.5	13	12.85	19	17	2
INSERNUT M10LFSPSS6.0	M10 x 1.50	3.5 - 6.0	13	12.85	21.5	17	2
INSERNUT M12LFSPSS	M12 x 1.75	1.0 - 4.0	16	15.8	23.2	22	2

Thread Size	Pull-Out KN	Push-Out KN	Torque- To_turn
M4 x 0.7	9.806	4.903	4.906
M5 x 0.8	15.69	6.864	8.826
M6 x 1.0	20.593	9.806	15.691
M8 x 1.25	42.168	12.748	N/A
M10 x 1.50	42.168	12.748	N/A

Value higher than stated due to bolt breakage, figure provided for guidance.

All figure are indicative and subject to change without notice. Testing should be carried out for each application

Note: Products in this catalogue are subject to availability



Head Office: Concept Fasteners VIC
 9 Flight Drive, Tullamarine 3043, Victoria
 Tel: (03) 9338 6633 Fax: (03) 9338 6433
 : sales@conceptfasteners.com.au

Concept Fasteners NSW
 5 Liverpool St, Ingleburn 2565, NSW
 Tel: (02) 9774 4416
 : salesnsw@conceptfasteners.com.au

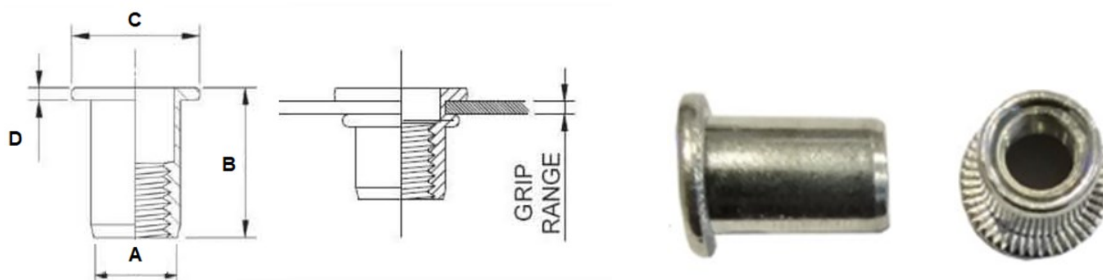
Concept Fasteners QLD
 Brisbane Branch Coming Soon!
 : qldsales@conceptfasteners.com.au

Description**Large Flange Non splined - Aluminium**

Optical for aluminium applications where galvanic corrosion as a result of material difference is possible

Specifications

Material Aluminium Alloy
Finish Clear Chemi bright

**Dimensions**

Part Code	Thread Size	Grip Range	Hole Size +0.1	A +0.05/-0.15	B ± 0.25	C ± 0.25	D ± 0.25
INSERNUT M3ALF	M3 x 0.5	0.5 - 1.5	5.1	5	9	8	0.8
INSERNUT M4ALF	M4 x 0.7	0.8 - 2.5	6.1	6	10.5	9	0.8
INSERNUT M4ALF 3.5	M4 x 0.7	2.5 - 3.5	6.1	6	11.5	9	1
INSERNUT M5ALF	M5 x 0.8	0.8 - 2.5	7.1	7	11.5	10	1.5
INSERNUT M5ALF 3.5	M5 x 0.8	2.5 - 3.5	7.1	7	12.5	10	1.5
INSERNUT M6ALF	M6 x 1.0	1.0 - 2.5	9.1	9	13.5	12.5	1.5
INSERNUT M6ALF 4.0	M6 x 1.0	2.5 - 4.0	9.1	9	15	12.5	1.5
INSERNUT M8ALF	M8 x 1.25	1.0 - 2.5	11.1	11	15	14.5	1.5
INSERNUT M8ALF 4.0	M8 x 1.25	2.5 - 4.0	11.1	11	16.5	14.5	1.5
INSERNUT M10ALF	M10 x 1.50	1.0 - 2.5	13.1	13	15.5	16.5	1.5
INSERNUT M10ALF 4.0	M10 x 1.50	2.5 - 4.0	13.1	13	17	16.5	2

Thread Size	Pull-Out KN	Push-Out KN	Torque- To_turn Nm	Maximum Torque
M3 x 0.5	1.1	0.7	N/A	2.3
M4 x 0.7	2.7	0.9	N/A	3.6
M5 x 0.8	4.5	1.5	N/A	7.2
M6 x 1.0	4.9	3	N/A	13.9
M8 x 1.25	10.8	3.3	N/A	25.9

Value higher than stated due to bolt breakage, figure provided for guidance.

All figure are indicative and subject to change without notice. Testing should be carried out for each application

Note: Products in this catalogue are subject to availability



Head Office: Concept Fasteners VIC
 9 Flight Drive, Tullamarine 3043, Victoria
 Tel: (03) 9338 6633 Fax: (03) 9338 6433
 : sales@conceptfasteners.com.au

Head Office: Concept Fasteners NSW
 5 Liverpool St, Ingleburn 2565, NSW
 Tel: (02) 9774 4416
 : salesnsw@conceptfasteners.com.au

Head Office: Concept Fasteners QLD
 Brisbane Branch Coming Soon!
 : qldsales@conceptfasteners.com.au

Open End Steel Zinc AL Type - With Knurl

Description

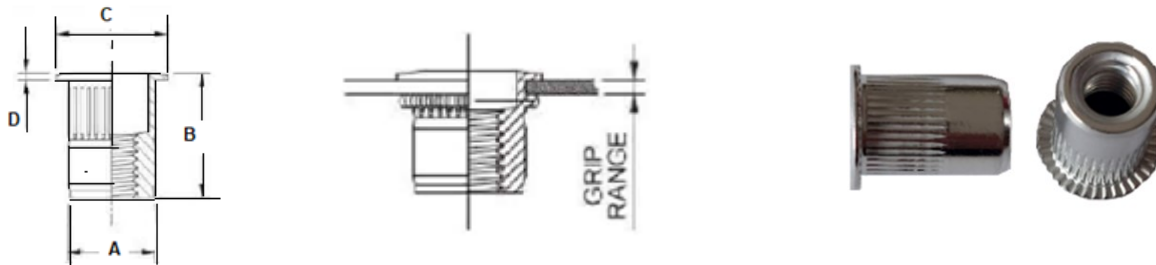
Large Flange splined AVK-AL series

Highest resistance to vibration and spin out of all round bodied inserts. Flange with near flush finish. Very wide grip range. Low Torque required to install.

Specifications

Material Carbon Steel

Finish Clear Zinc CR3



Dimensions

Part Code	Thread Size	Grip Range	Hole Size		B ± 0.25	C ± 0.25	D ±0.1
			- 0	+ 0.15			
INSERNUT M4 AVK-AL	M4 x 0.7	0.50 - 2.0	6.75	6.73	11.7	9.5	0.5
INSERNUT M4 AVK-AL 3.3	M4 x 0.7	2.0 - 3.30	6.75	6.73	12.4	9.5	0.5
INSERNUT M5 AVK-AL	M5 x 0.80	0.50 - 3.30	7.6	7.52	13.1	10.1	0.5
INSERNUT M5 AVK-AL 5.7	M5 x 0.80	3.30 - 5.70	7.6	7.52	15.3	10.1	0.5
INSERNUT M6 AVK-AL	M6 x 1.0	0.7 - 4.2	10	9.91	15.8	12.7	0.6
INSERNUT M6 AVK-AL 6.6	M6 x 1.0	4.2 - 6.60	10	9.91	17.27	12.7	0.6
INSERNUT M8 AVK-AL 7.9	M8 x 1.25	0.7 - 3.8	13.5	13.46	18.7	17	0.8
INSERNUT M8 AVK-AL 7.9	M8 x 1.25	3.8 - 7.9	13.5	13.46	20.45	17.4	0.8
INSERNUT M10 AVK-AL	M10 x 1.50	0.70 - 3.80	13.5	13.4	18.7	17	0.8
INSERNUT M10 AVK-AL 7.9	M10 x 1.50	3.80 - 7.9	13.5	13.46	20.45	17.4	0.8
INSERNUT M12 AVK-AL	M12 x 1.75	1.6 - 5.10	17.45	17.4	29.21	21.97	0.8
INSERNUT M12 AVK-AL 8.9	M12 x 1.75	5.10 - 8.9	17.45	17.4	33.02	21.97	0.8
INSERNUT M12 AVK-AL 12.7	M12 x 1.75	8.9 - 12.7	17.45	17.4	36.83	21.97	0.8

Thread Size	Pull-Out KN	Push-Out KN	Torque-To-Turn KN	Maximum Torque
M4 x 0.70	2.3	1.2	1.6	6.3
M5 x 0.80	4.4	2	2	10.8
M6 x 1.0	9.9	2.5	3	18.1
M8 x 1.25	20.1	3.7	3.9	N/A
M10 x 1.50	20.1	3.7	3.9	N/A
M12 x 1.75	49	N/A	N/A	47

Value higher than stated due to bolt breakage, figure provided for guidance.

All figure are indicative and subject to change without notice. Testing should be carried out for each application

Note: Products in this catalogue are subject to availability



Head Office: Concept Fasteners VIC
9 Flight Drive, Tullamarine 3043, Victoria
Tel: (03) 9338 6633 Fax: (03) 9338 6433
: sales@conceptfasteners.com.au

Head Office: Concept Fasteners NSW
5 Liverpool St, Ingleburn 2565, NSW
Tel: (02) 9774 4416
: salesnsw@conceptfasteners.com.au

Head Office: Concept Fasteners QLD
Brisbane Branch Coming Soon!
: qldsales@conceptfasteners.com.au

Open End Stainless Steel AK Series - With Knurl

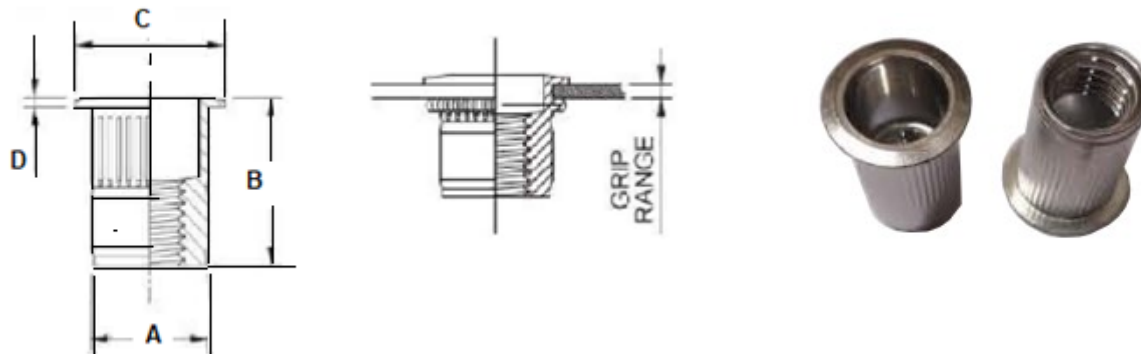
Description

Small Flange splined AK Series - Stainless

Highest resistance to vibration and spin out of all round bodied inserts. Flange with near flush finish. Wide grip range.

Specifications

Material	Stainless Steel
Finish Clear	Clear



Dimensions

Part Code	Thread Size	Grip Range	Hole Size +0.1	A Max	B ± 0.25	C ± 0.25	D ± 0.25
SS-AK-470-2.0	M4 x 0.7	0.50 - 2.0	6.8	6.75	10.7	7.9	0.6
SS-AK-470-3.3	M4 x 0.7	2.0 - 3.3	6.75	6.75	11.9	7.9	0.6
SS-AK-580-3.3	M5 x 0.80	0.50 - 3.3	7.6	7.52	12.1	8.6	0.6
SS-AK-580-5.7	M5 x 0.80	3.3 - 5.7	7.6	7.52	14.9	8.6	0.6
SS-AK-610-4.2	M6 x 1.0	0.7 - 4.2	10	9.91	14.7	11.6	0.6
SS-AK-610-6.6	M6 x 1.0	4.2 - 6.6	10	9.91	17.3	12.7	0.6
SS-AK-8125-3.5	M8 x 1.25	0.7 - 3.8	13.5	13.46	17.5	17.4	1
SS-AK-8125-7.9	M8 x 1.25	3.8 - 7.9	13.5	13.46	20.5	17.4	1
SS-AK-1015-3.8	M10 x 1.50	0.7 - 3.8	13.5	13.46	17.5	17.4	1
SS-AK-1015-7.9	M10 x 1.50	3.8 - 7.9	13.5	13.46	20.5	17.4	1

Thread Size	Pull-Out KN	Push-Out KN	Torque-To-Turn NM	Maximum Torque
M4 x 0.70	2.7	0.9	N/A	3.6
M6 x 0.8	4.5	1.5	N/A	7.2
M6 x 1.0	4.9	3	N/A	13.9

Value higher than stated due to bolt breakage, figure provided for guidance.

All figure are indicative and subject to change without notice. Testing should be carried out for each application

Note: Products in this catalogue are subject to availability



Head Office: Concept Fasteners VIC
9 Flight Drive, Tullamarine 3043, Victoria
Tel: (03) 9338 6633 Fax: (03) 9338 6433
: sales@conceptfasteners.com.au

Concept Fasteners NSW
5 Liverpool St, Ingleburn 2565, NSW
Tel: (02) 9774 4416
: salesnsw@conceptfasteners.com.au

Concept Fasteners QLD
Brisbane Branch Coming Soon!

: qldsales@conceptfasteners.com.au

Open End Stainless Steel AL Style - With Knurl

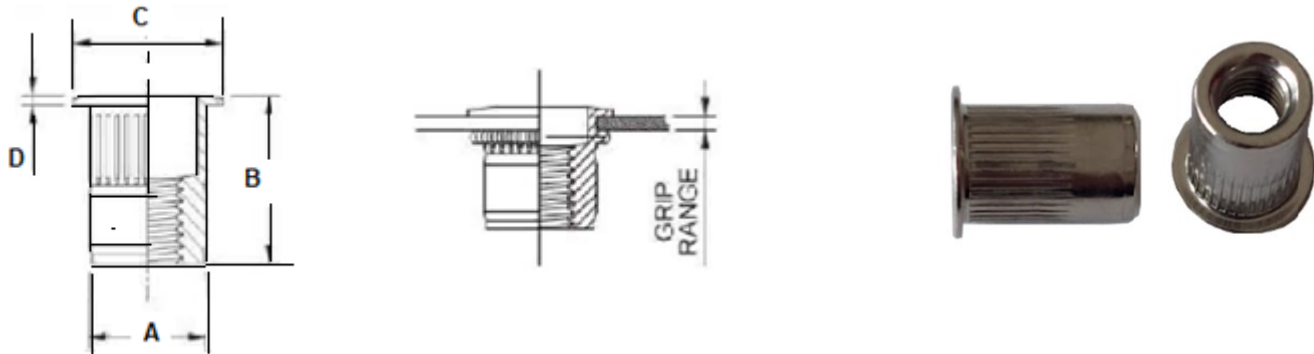
Description

Large Flange splined AVK AL Series- Stainless

Highest resistance to vibration and spin out of all round bodied inserts. Flange with near flush finish. Very wide grip range.

Specifications

Material	Stainless Steel
Finish	Clear



Part Code	Thread Size	Grip Range	Hole Size +0.1	A MAX	B ± 0.4	C ± 0.25	D ± 0.2
SS-AL-470-2.0	M4 x 0.7	0.5 - 2.0	6.8	6.73	10.7	9.9	0.8
SS-AL-470-3.0	M4 x 0.7	2.0 - 3.3	6.8	6.73	11.9	9.9	0.8
SS-AL-580-3.3	M5 x 0.8	0.5 - 3.3	7.6	7.52	12.1	10.5	0.8
SS-AL-580-5.7	M5 x 0.8	3.3 - 5.7	7.6	7.52	14.9	10.5	0.8
SS-AL-610-4.2	M6 x 1.0	0.7 - 4.2	10	9.91	14.7	12.7	0.8
SS-AL-610-6.6	M6 x 1.0	4.2 - 6.6	10	9.91	17.3	12.7	0.8
SS-AL-8125-3.5	M8 x 1.25	0.7 - 3.8	13.5	13.46	17.5	17.4	1
SS-AL-8125-7.9	M8 x 1.25	3.8 - 7.9	13.5	13.46	20.5	17.4	1
SS-AL-1015-3.8	M10 x 1.50	0.7 - 3.8	13.5	13.46	17.5	17.4	1
SS-AL-1015-7.9	M10 x 1.50	3.8 - 7.9	13.5	13.46	20.5	17.4	1

Thread Size	Pull-Out KN	Push-Out KN	Torque-To-Turn NM	Maximum Torque
M4 x 0.70	2.7	0.9	N/A	3.6
M6 x 0.8	4.5	1.5	N/A	7.2
M6 x 1.0	4.9	3	N/A	13.9

Value higher than stated due to bolt breakage, figure provided for guidance.

All figure are indicative and subject to change without notice. Testing should be carried out for each application

Note: Products in this catalogue are subject to availability



Head Office: Concept Fasteners VIC
9 Flight Drive, Tullamarine 3043, Victoria
Tel: (03) 9338 6633 Fax: (03) 9338 6433
: sales@conceptfasteners.com.au

Head Office: Concept Fasteners NSW
5 Liverpool St, Ingleburn 2565, NSW
Tel: (02) 9774 4416
: salesnsw@conceptfasteners.com.au

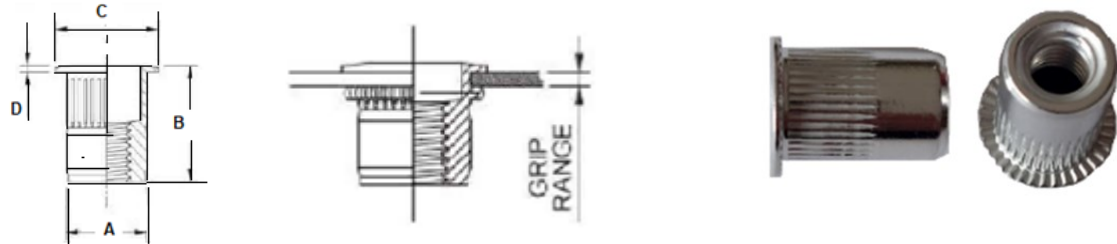
Head Office: Concept Fasteners QLD
Brisbane Branch Coming Soon!
: qldsales@conceptfasteners.com.au

Description

Open End Aluminium AL Style - With Knurl

Specifications

Material Aluminium
Finish Clear



Dimensions

Part Code	Thread Size	Grip Range	Hole Size +0.1	A +0.05/-0.15	B + 0.25	C + 0.25	D ± 0.1
AA-AL-M4-2.0	M4 x 0.7	0.5 - 2.0	6.8	6.75	11.7	9.5	0.6
AA-AL-M5-3.3	M5 x 0.8	0.5 - 3.3	7.6	7.52	13.1	10.1	0.6
AA-AL-M5-5.7	M5 x 0.8	3.3 - 5.7	7.6	7.52	13.1	10.1	0.6
AA-AL-M6-4.2	M6 x 1.0	0.7 - 4.2	10	9.91	17.2	12.7	0.6
AA-AL-M8-7.9	M8 x 1.25	3.8 - 7.9	13.5	13.46	18.7	17.4	0.8
AA-AL-M10-3.8	M10 x 1.5	0.7 - 3.8	13.5	13.46	18.7	17.4	0.8
AA-AL-M10-7.9	M10 x 1.5	3.8 - 7.9	13.5	13.46	20.45	17.4	0.8

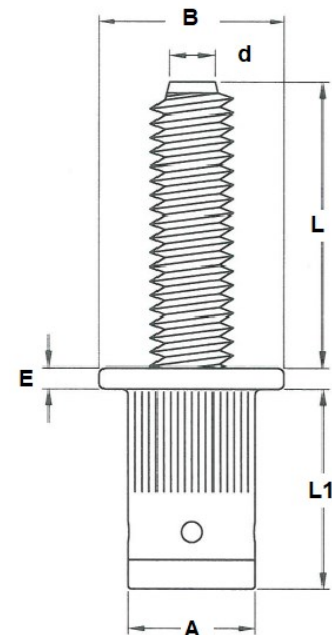
Stud Inserts for Thin Sheet material

LG Studsert nose assembly available.



STUDSERT	Low Carbon Steel	Zinc Clear CR3
-----------------	------------------	----------------

Part Number	d	A Max	B +0.30	E +0.15	L +0.50	L1 +0.50	Grip Range	Hole Size +0.1/-0
SDR-LM425-15	M4	6.0	9.0	1.0	15.0	11.0	0.5-2.5	6.0
SDR-LM530-15	M5	7.0	10.0	1.0	15.0	12.0	0.5-3.0	7.0
SDR-LM630-20	M6	9.0	13.0	1.5	20.0	14.0	0.5-3.0	9.0
SDR-LM830-20	M8	11.0	16.0	1.5	20.0	16.0	0.5-3.0	11.0



Note: Products in this catalogue are subject to availability



Head Office: Concept Fasteners VIC
 9 Flight Drive, Tullamarine 3043, Victoria
 Tel: (03) 9338 6633 Fax: (03) 9338 6433
 : sales@conceptfasteners.com.au

Concept Fasteners NSW
 5 Liverpool St, Ingleburn 2565, NSW
 Tel: (02) 9774 4416
 : salesnsw@conceptfasteners.com.au

Concept Fasteners QLD
 Brisbane Branch Coming Soon!
 : qldsales@conceptfasteners.com.au