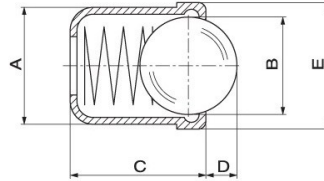


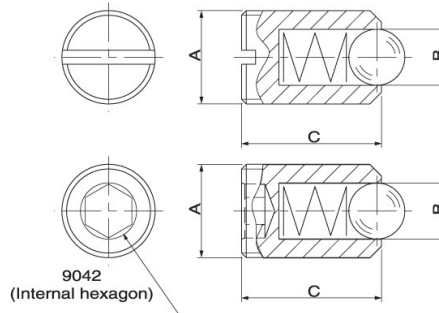
## St. Steel Spring Plungers 9030



Name	Material
Base Metal	Stainless Steel (SST)

Part Number (SST)	A	B	C	D	E
9030 - 3	3	3	5	0.8	3.2
9030 - 4	4	3	5	0.8	4.6
9030 - 5	5	4	6	1	5.6
9030 - 6	6	5	7	1.6	6.5
9030 - 8	8	6.5	9	1.9	8.5
9030 - 10	10	8.5	13.5	3.1	11
9030 - 12	12	10	16	3.8	13

## Spring Plungers 9040 & Spring Plungers 9042-Internal Hex



Name	Material
Base Metal	Steel (ST) Stainless Steel (SST)

Part Number (ST)	Part Number (SST)	Part Number (ST)	A	B	C
9040 - M3	9041 - M3		M3	1.5	7
9040 - M4	9041 - M4	9042 - M4	M4	2.5	9
9040 - M5	9041 - M5	9042 - M5	M5	3	12
9040 - M6	9041 - M6	9042 - M6	M6	3.5	14
9040 - M8	9041 - M8	9042 - M8	M8	4.5	16
9040 - M10	9041 - M10	9042 - M10	M10	6	19
9040 - M12	9041 - M12	9042 - M12	M12	8	22
9040 - M16	9041 - M16	9042 - M16	M16	10	24
9040 - M20	9041 - M20	9042 - M20	M20	12	30
9040 - M24	9041 - M24	9042 - M24	M24	15	34

**Note: Products in this catalogue are subject to availability**



**Head Office: Concept Fasteners VIC**  
9 Flight Drive, Tullamarine 3043, Victoria  
Tel: (03) 9338 6633 Fax: (03) 9338 6433  
: sales@conceptfasteners.com.au

**Head Office: Concept Fasteners NSW**  
5 Liverpool St, Ingleburn 2565, NSW  
Tel: (02) 9774 4416  
: salesnsw@conceptfasteners.com.au

**Head Office: Concept Fasteners QLD**  
Brisbane Branch Coming Soon!  
: qldsales@conceptfasteners.com.au