

Seal-Fast™ & Trim-Fast™

Products

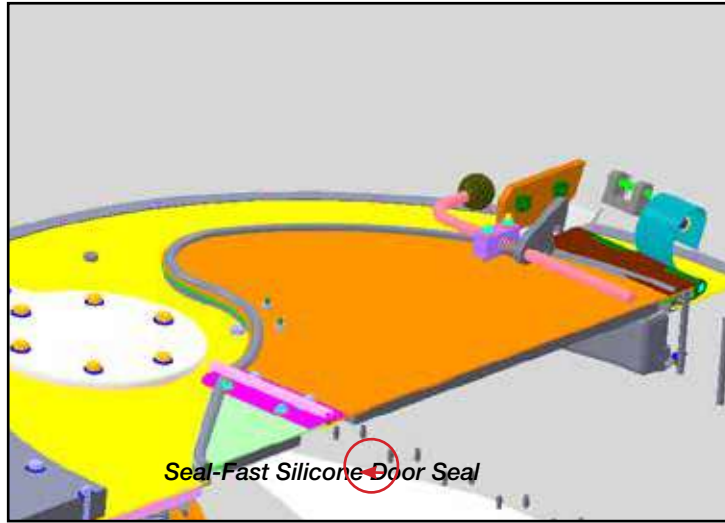


Device Technologies, Inc.
Southborough, MA 01772 USA
Tel: +1 508-229-2000, ext. 210
customerservice@devicetech.com



DTi device technologies GmbH
20354 Hamburg, Germany
Tel: +49 40 350 85 128
customerservice@dti-devicetech.eu

Catalog # 218 - Vol. 2
ISO 9001 • AS9100

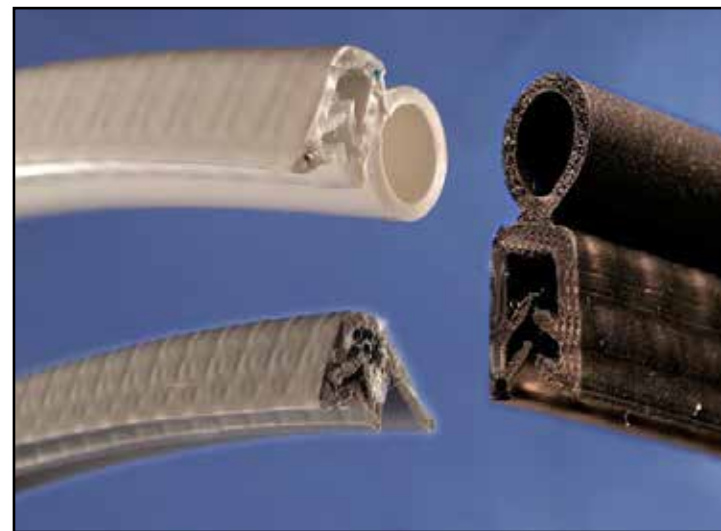


Seal-Fast Silicone Door Seal

Vulcanized Door Seal Assembly



Cut, Mitered and Bonded



Door Seal Profiles



Vulcanized Section



Vulcanized Corner

Seal-Fast™ High Performance Edge Seal



"D" EPDM Series



"D" Silicone Series



"D" PVC/EPDM Series

The Seal-Fast Edge Seal installs without the use of adhesives, is very flexible, and is available in a variety of materials which include a flexible steel or stainless steel substrate with a Silicone, EPDM, or PVC gasket allowing for fast assembly.

Trim-Fast™ High Performance Edge Protection



"S" EPDM Series




"S" Silicone Series

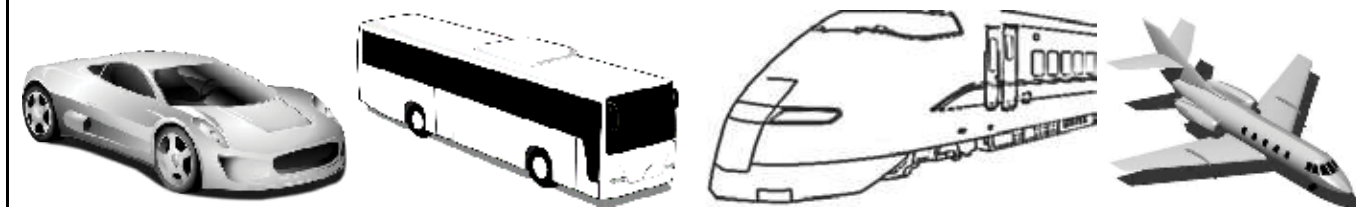


"S" PVC Series

A better, cleaner, and faster way to cover sharp panel edges and protect your equipment from failure due to wire, cable, or hose abrasion and create a finished edge appearance. Trim-Fast is offered in enlarged sizes for thicker panel applications up to 3/4" (19mm).

Trim-Fast™ & Seal-Fast™ Products / Specifications and Test Standards

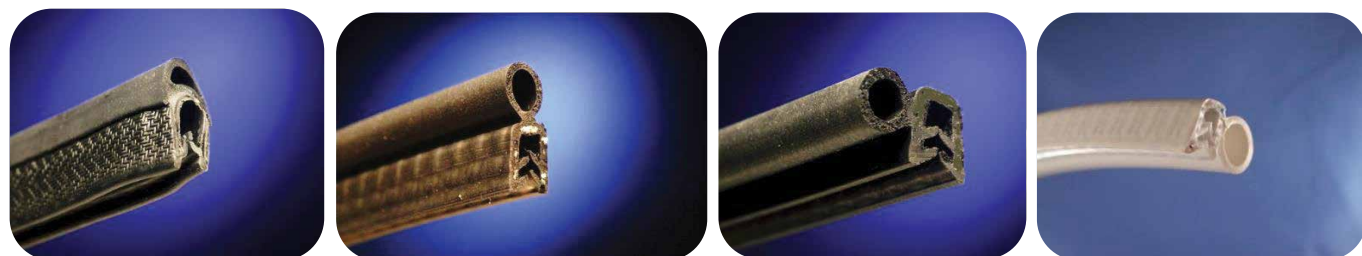
Material	Industry	Description	Standard Test Method
Silicone  Flame, Smoke & Toxicity	Food	Processing Equipment	FDA Approved (white silicone)
	Rail / Aero Military Transportation	Flame Propagation	ASTM C 542
			ASTM C1166
		Toxicity	BSS 7239, (ATS 100/ABD0031)
			ASTM E 662 (METHOD D 2036-91)
EPDM	Automotive & Marine	Flammability of Interior Materials	FMVSS 302
		Burn Resistance	
	General Industrial	Interior Weatherometer	SAE J1885
		Exterior Weatherometer	SAE J1960
	Retractable Buildings	Low Temperature Flexibility	SAE J200 M8BA 708 B13 Z1-6
Enclosures	NEMA standards, critical equipment	UL50E	



Underwriters Labs (UL) has approved its Seal-Fast™ Door Seals and Trim-Fast™ Edge Trim for EPDM gasket materials to the stringent **UL50E standard**. Thanks to this Recognized Component designation, any finished product that uses these seals and trim automatically now receives a significant quality upgrade, creating greater value for their customers.

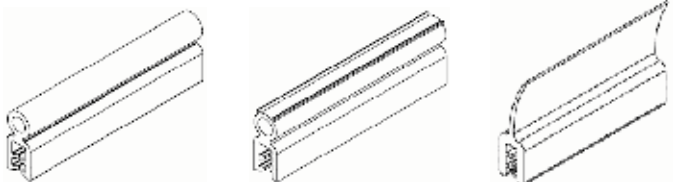
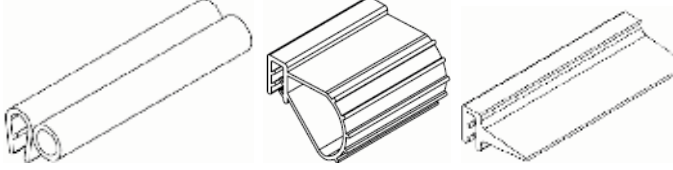
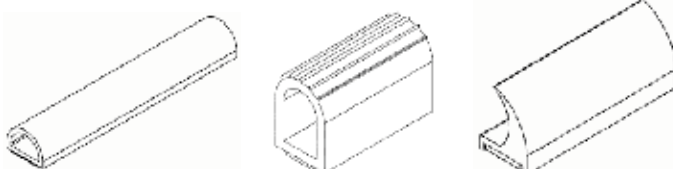
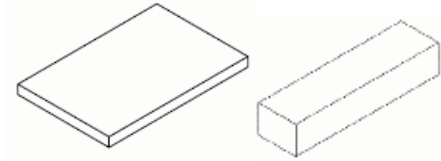
The new certification is especially important to companies needing performance materials that comply with **NEMA standards** to protect critical equipment like Telco switches, data center racks and chassis, and routers. In addition, DTi seals and trim are used on truck bodies and enclosures for generators and inverters and other applications in environments ranging from back office to rugged mobile shelters for the military.





Seal-Fast™ Edge Seal Door & Enclosure Seals


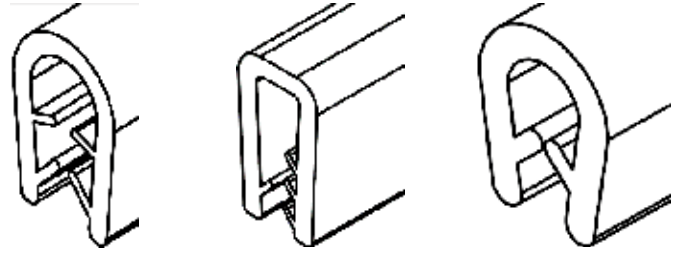
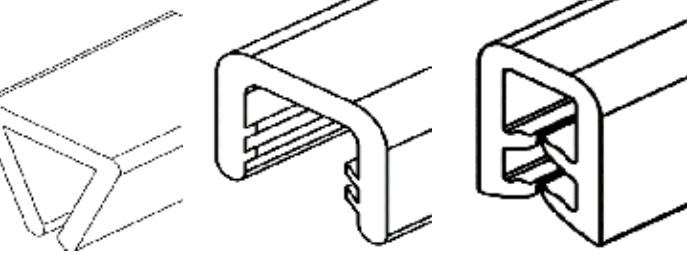
Profile Index for extruded products

TOP SEAL 	Bulb	4
	Bulb with ears	6
	Wing	7
SIDE SEAL 	Bulb	8
	Bulb with ears	11
	Wing	12
SEAL with PSA 	Bulb	13
	Bulb with ears	14
	Wing	
Flat Gasket with PSA 		15
Part Number List	Product index	16
Custom Extrusions	Prototype Designs	19



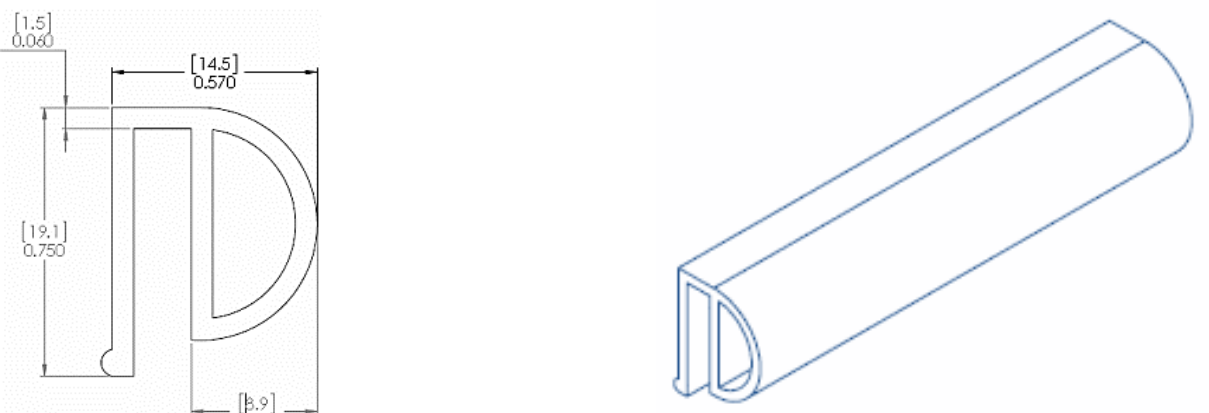
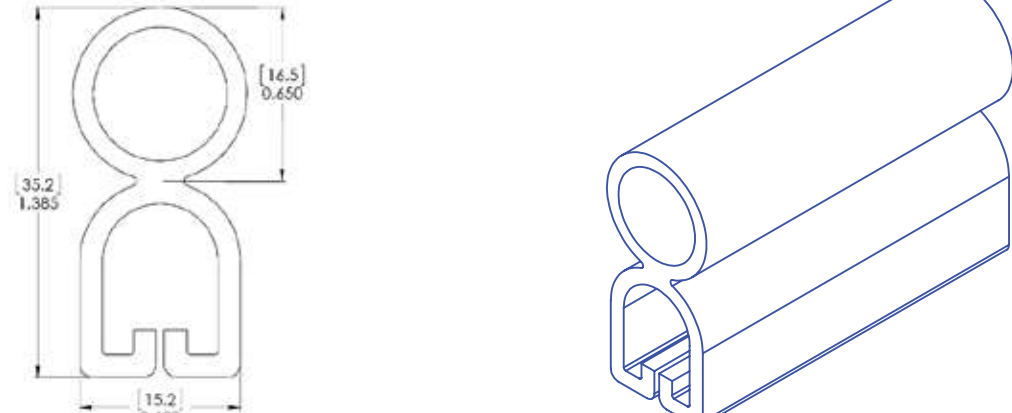




Trim-Fast™ Edge Trim Protection

Profile Index for extruded products

	Small	20
	Medium	21
	Large	22
Part Number List	Product index	23
Custom TRIM Extrusions	Prototype Designs	24
Custom Molded Solutions	Prototype Designs	25
FEA Analysis & Bend Radius	Reports & Data	

Top Bulb		Red = PVC & EPDM / Green = EPDM / Blue = Silicone	
<p>D2-016-S021</p>	<p>D3-001-S011</p>	<p>D3-002-S011</p>	<p>D3-003-S011</p>
<p>D3-015-S021</p>	<p>D3-022-S044</p>	<p>D3-026-S011</p>	<p>D3-060-S011</p>
<p>D3-083-0011</p> <p>This Product is Under Development</p>	<p>D3-096-S011</p>	<p>D3-107-S011</p>	<p>D3-114-S044</p>
<p>D3-132-S044</p>	<p>D4-034-S011</p>	<p>D4-105-S011</p>	<p>D4-115-S011</p>

Top Bulb		Red = PVC & EPDM / Green = EPDM / Blue = Silicone	
<p data-bbox="761 237 979 282">D4-117-S011</p> 	<p data-bbox="2128 298 2346 342">D4-187-S011</p> 		
<p data-bbox="761 796 979 840">D4-207-0144</p> 	<p data-bbox="2128 796 2346 840">D4-238-S044</p> 		
<p data-bbox="761 1290 979 1334">D5-179-S011</p> 	<p data-bbox="2128 1290 2346 1334">D7-077-S021</p> 		

Top Bulb with ears		Green = EPDM / Blue = Silicone	
<p>D2-066-S011</p>	<p>D2-075-S011-S</p>	<p>D3-008-S044</p>	<p>D3-009-S011</p>
<p>D3-020-T244</p>	<p>D3-028-S044</p>	<p>D3-044-T011</p>	<p>D3-056-T044</p>
<p>D3-072-S011-S</p>	<p>D3-106-S011</p>	<p>D3-118-S033</p>	<p>D3-119-S055</p>
<p>D4-037-S011</p>	<p>D4-239-S144</p>	<p>D12-252-0011</p>	

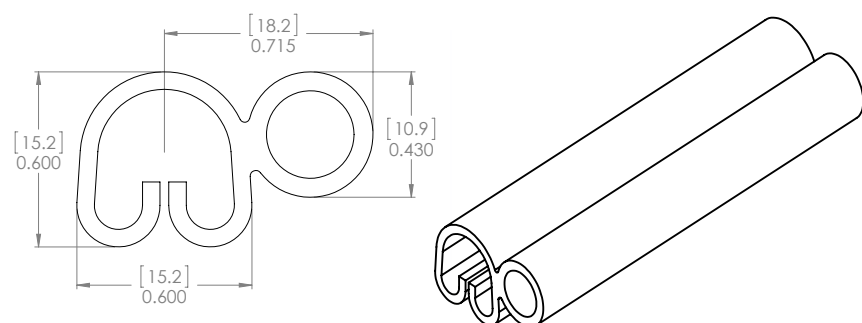
Top Wing		Green = EPDM / Blue = Silicone	
D3-036-S011 	D3-040-S011 	D3-093-S011 	D3-095-S044 <div style="border: 1px solid black; padding: 5px; width: fit-content; margin: 0 auto;"> <p>This Product is Under Development</p> </div>
D3-109-S011 	D3-112-S011 <div style="border: 1px solid black; padding: 5px; width: fit-content; margin: 0 auto;"> <p>This Product is Under Development</p> </div>	D3-169-S021 	D3-192-S011
D3-228-S044 <div style="text-align: right; margin-top: 10px;"> </div>			

Side Bulb		Red = PVC & EPDM / Green = EPDM / Blue = Silicone	
D1-141-S021 	D2-039-S021 	D3-004-S011 	
D3-005-S011 	D3-006-S011 	D3-011-S011 	
D3-013-T244 	D3-018-S011 	D3-038-S021 	
D3-052-S011 <div style="border: 1px solid black; padding: 5px; width: fit-content; margin: 10px auto;"> This Product is Under Development </div>	D3-059-S144 	D3-063-S011 	

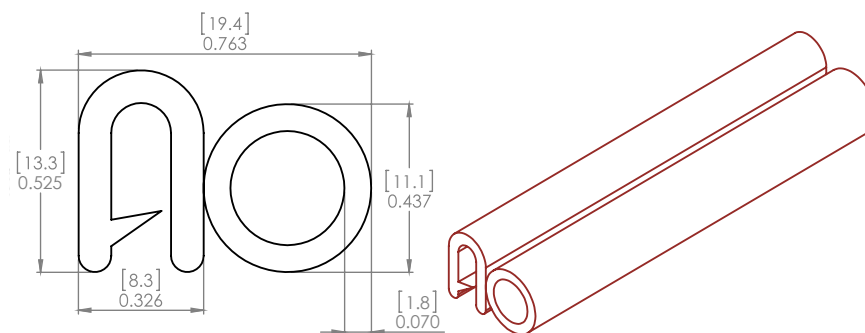
Side Bulb

Red = PVC & EPDM / Green = EPDM / Blue = Silicone

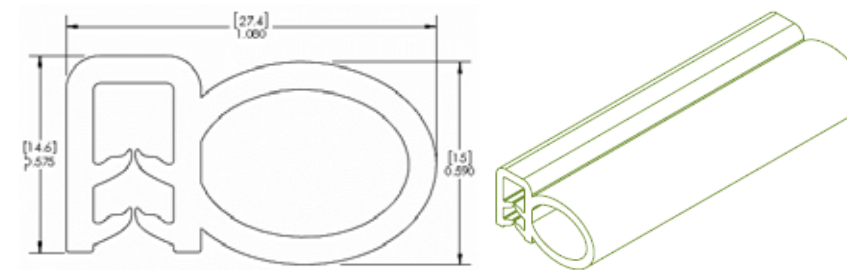
D3-067-S144



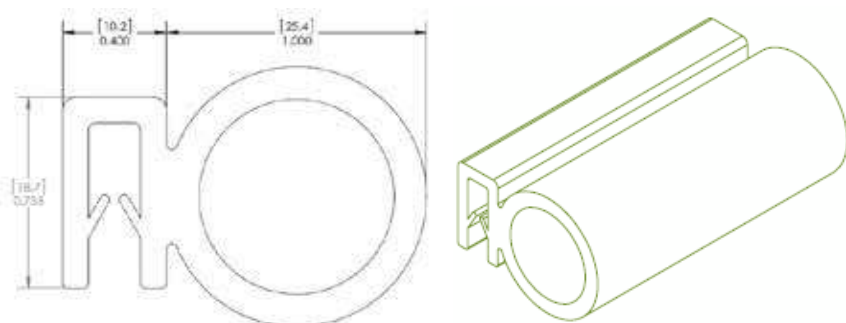
D3-071-S021



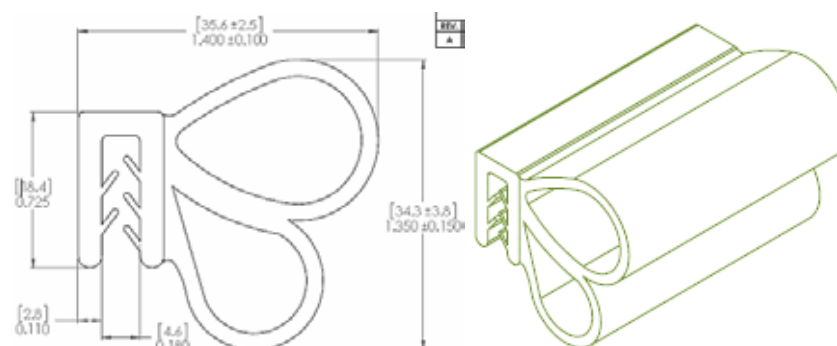
D3-097-S011



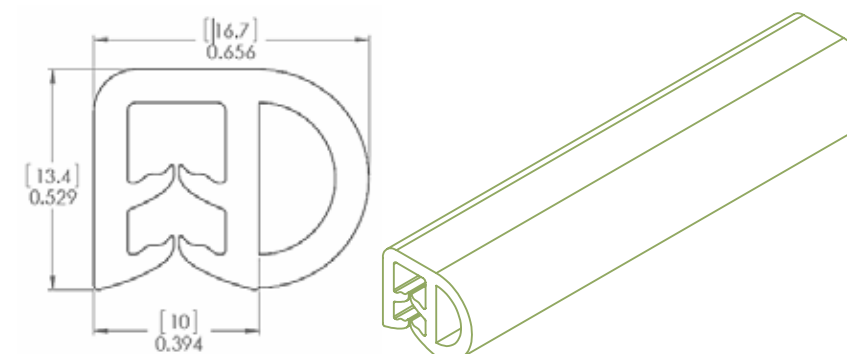
D3-143-S011



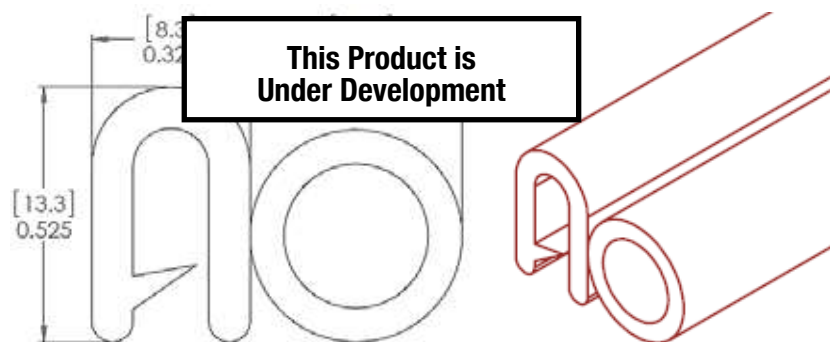
D3-144-S011



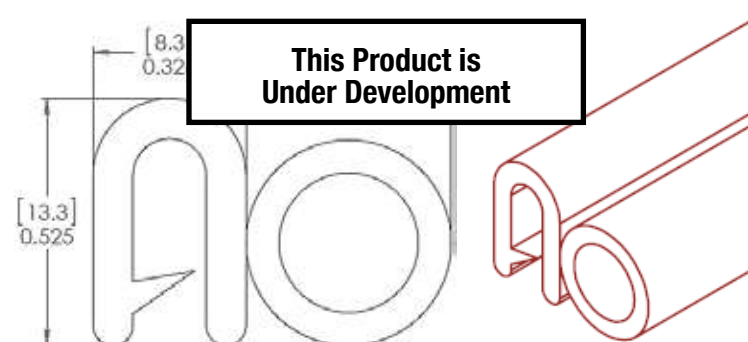
D3-145-S011



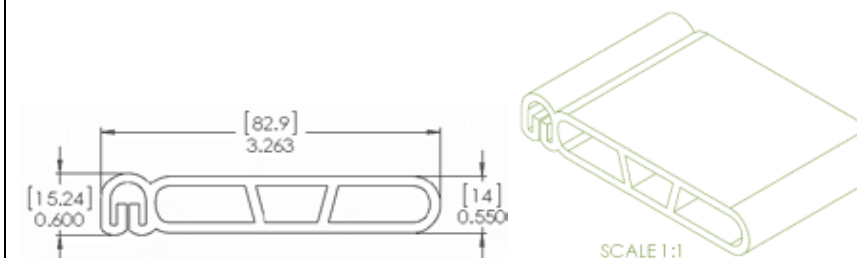
D3-154-A021



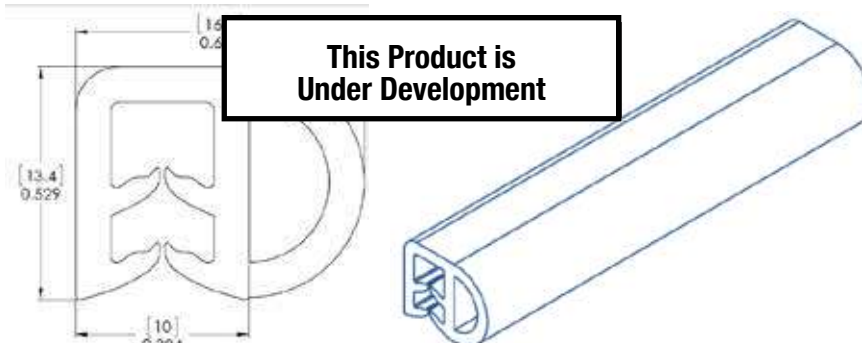
D3-155-S021



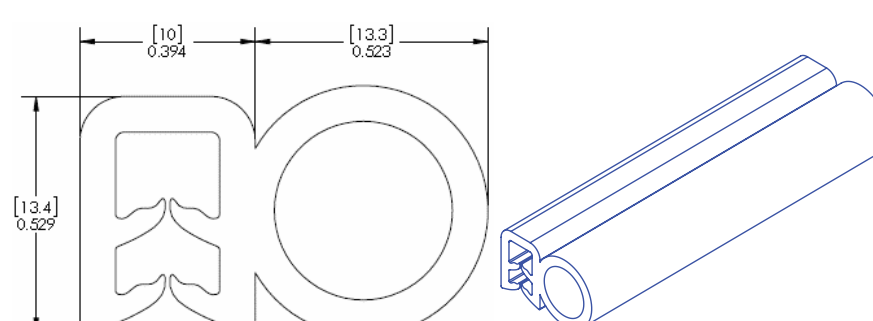
D3-177-S011



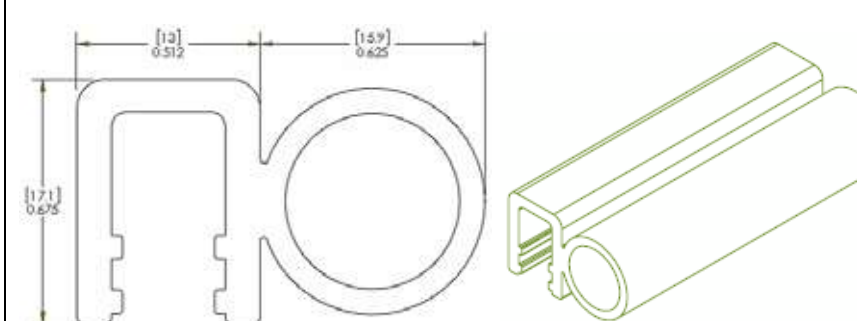
D3-270-S044



D4-033-T244



D5-104-S011



Side Bulb		Red = PVC & EPDM / Green = EPDM / Blue = Silicone	
D5-130-S011		D6-156-S011	
D6-157-S011		D8-012-S011	
D8-025-S044		D9-027-S011	

Side Bulb With Ears		Green = EPDM / Blue = Silicone	
D2-064-S011 	D2-074-S011-S 	D3-010-S011 	
D3-024-S044 	D3-065-S011 	D3-073-S011-S 	
D3-142-S011 	D3-186-S011 	D5-229-S011 	

Side Wing		Green = EPDM / Blue = Silicone	
<p>D3-094-S144</p>	<p>D3-133-S144</p>		
<p>D3-178-S011</p>	<p>D3-203-S011</p>		
<p>D3-212-S011</p>	<p>D3-224-S044</p>		
<p>D3-261-S044</p>	<p>D5-126-S011</p>		

BULB with Pressure Sensitive Adhesive (PSA)		Green = EPDM / Blue = Silicone	
<p>D7-057-001</p>	<p>D7-087-001</p> <p>This Product is Under Development</p>	<p>D8-085-001</p>	<p>D8-200-0144</p> <p>This Product is Under Development</p>
<p>D8-201-0144</p> <p>This Product is Under Development</p>	<p>D9-088-001</p>	<p>D9-089-001</p>	<p>D9-123-001-PT</p>
<p>D9-146-001</p>	<p>D9-174-001</p>	<p>D9-175-001</p>	<p>D10-081-001</p> <p>SCALE 1:1</p>
<p>D10-108-001</p> <p>SCALE 1:1</p>	<p>D10-120-001</p>	<p>D10-148-001</p>	<p>D10-230-0011</p>

BULB with Pressure Sensitive Adhesive (PSA)		Green = EPDM	
<p>D11-147-001</p>	<p>D12-084-001</p>	<p>D12-090-001</p>	<p>D12-139-001</p>
<p>D12-214-001</p>	<p>D12-215-001</p>	<p>D14-193-0011</p>	<p>D15-194-001</p>
<p>D16-206-001</p>		<p>D16-211-001</p>	

Gasket with Pressure Sensitive Adhesive (PSA)		Green = EPDM	
<p>D7-163-001</p>	<p>D9-069-003</p> <p>This Product is Under Development</p>	<p>D9-161-001</p>	
<p>D9-164-001</p>	<p>D10-162-001</p>	<p>D10-165-001</p>	
<p>D10-166-001</p>	<p>D10-168-001</p>	<p>D16-167-001</p>	<p>D20-160-001</p>



Seal-Fast™ Product - Size & Dimension Chart (Imperial & Metric)																											
Edge Thickness Range *Nominal size (±20%)				Part Number	Material Description						Dimensions												Continuous Operating Temperature				
(inches)		(mm)			d = Dense / cc = Closed Cell																		Celsius		Fahrenheit		
Min	Max	Min	Max		Substrate Material	Substrate Type	Carrier Material	Seal Material	Color	Seal Config.	Profile	Carrier Width (inches)	Carrier Width (mm)	Carrier Height (inches)	Carrier Height (mm)	Overall Width (inches)	Overall Width (mm)	Overall Height (inches)	Overall Height (mm)	Seal Radius (inches)	Seal Radius (mm)	Seal Width (inches)	Seal Width (mm)	Min	Max	Min	Max
0.062 *		1.6 *		D1-141-S021	Steel	Clip	flex-pvc-65	cc-epdm-25	Black	Side	Bulb	0.350	8.890	0.550	13.970	0.724	18.4	0.550	14.0	-	-	0.374	9.5	100		212	
0.093 *		2.4 *		D2-016-S021	Steel	Clip	flex-pvc-65	cc-epdm-25	Black	Top	Bulb	0.256	6.502	0.374	9.500	0.256	6.5	0.571	14.5	-	-	0.256	6.5	100		212	
0.060	0.093	1.5	2.4	D2-039-S021	Steel	Clip	flex-pvc-65	cc-epdm-25	Black	Side	Bulb	0.256	6.502	0.374	9.500	0.471	12.0	0.374	9.5	-	-	-	-	100		212	
0.093 *		2.4 *		D2-064-S011	Steel	Weave	d-epdm-70	cc-epdm-25	Black	Side	bulb-ears	0.364	9.246	0.453	11.506	0.699	17.8	0.453	11.5	-	-	0.364	9.2	-40	121	-40	250
0.093 *		2.4 *		D2-066-S011	Steel	Weave	d-epdm-70	cc-epdm-25	Black	Top	bulb-ears	0.331	8.407	0.418	10.617	0.331	8.4	0.614	15.6	-	-	0.331	8.4	-40	121	-40	250
0.093 *		2.4 *		D2-074-S011-S	Steel	Weave	d-epdm-70	cc-epdm-25	Black	Side	bulb-ears	0.364	9.246	0.453	11.506	0.514	13.1	0.453	11.5	-	-	0.367	9.3	-40	121	-40	250
0.031	0.093	0.8	2.4	D2-075-S011-S	Steel	Weave	d-epdm-70	cc-epdm-25	Black	Top	bulb-ears	0.331	8.407	0.420	10.668	0.331	8.4	0.617	15.7	-	-	0.331	8.4	-40	121	-40	250
0.040	0.125	1.0	3.2	D3-001-S011	Steel	Weave	d-epdm-70	cc-epdm-25	Black	Top	Bulb	0.394	10.008	0.532	13.513	0.394	10.0	0.942	23.9	-	-	0.380	9.7	-40	121	-40	250
0.040	0.125	1.0	3.2	D3-002-S011	Steel	Weave	d-epdm-70	cc-epdm-25	Black	Top	Bulb	0.394	10.008	0.532	13.513	0.590	15.0	1.159	29.4	0.295	7.493	0.590	15.0	-40	121	-40	250
0.040	0.125	1.0	3.2	D3-003-S011	Steel	Weave	d-epdm-70	cc-epdm-25	Black	Top	Bulb	0.394	10.008	0.529	13.437	0.720	18.3	1.289	32.7	-	-	0.720	18.3	-40	121	-40	250
0.040	0.125	1.0	3.2	D3-004-S011	Steel	Weave	d-epdm-70	cc-epdm-25	Black	Side	Bulb	0.394	10.008	0.529	13.437	0.806	20.5	0.529	13.4	0.190	4.826	0.380	9.7	-40	121	-40	250
0.040	0.125	1.0	3.2	D3-005-S011	Steel	Weave	d-epdm-70	cc-epdm-25	Black	Side	Bulb	0.394	10.008	0.532	13.513	1.053	26.7	0.623	15.8	0.190	4.826	0.380	9.7	-40	121	-40	250
0.040	0.125	1.0	3.2	D3-006-S011	Steel	Weave	d-epdm-70	cc-epdm-25	Black	Side	Bulb	0.394	10.008	0.529	13.437	1.156	29.4	0.720	18.3	-	-	0.720	18.3	-40	121	-40	250
0.040	0.125	1.0	3.2	D3-008-S044	Steel	Weave	Silicone-75	Silicone-75	Black	Top	bulb-ears	0.394	10.008	0.532	13.513	0.423	10.7	0.847	21.5	0.212	5.385	0.423	10.7	-45	121	-49	250
0.040	0.125	1.0	3.2	D3-009-S011	Steel	Weave	d-epdm-70	cc-epdm-25	Black	Top	bulb-ears	0.394	10.008	0.529	13.437	0.430	10.9	0.827	21.0	0.215	5.461	0.430	10.9	-40	121	-40	250
0.040	0.125	1.0	3.2	D3-010-S011	Steel	Weave	d-epdm-70	cc-epdm-25	Black	Side	bulb-ears	0.394	10.008	0.532	13.513	0.701	17.8	0.532	13.5	-	-	0.402	10.2	-40	121	-40	250
0.156 *		4.0 *		D3-011-S011	Steel	Weave	d-epdm-70	cc-epdm-25	Black	Side	Bulb	0.393	9.982	0.532	13.513	0.927	23.5	0.532	13.5	0.250	6.350	0.534	13.6	-40	121	-40	250
0.040	0.125	1.0	3.2	D3-013-T244	Stainless	Weave	Silicone-60	Silicone-60	White	Side	Bulb	0.392	9.957	0.533	13.538	0.917	23.3	0.533	13.5	0.280	7.112	0.525	13.3	-45	121	-49	250
0.156 *		4.0 *		D3-015-S021	Steel	Clip	flex-pvc-65	cc-epdm-25	Black	Top	Bulb	0.433	10.998	0.484	12.294	0.433	11.0	0.846	21.5	-	-	0.433	11.0	100		212	
0.040	0.125	1.0	3.2	D3-018-S011	Steel	Weave	d-epdm-70	cc-epdm-25	Black	Side	Bulb	0.404	10.262	0.529	13.437	1.091	27.7	0.610	15.5	-	-	0.687	17.4	-40	121	-40	250
0.040	0.125	1.0	3.2	D3-020-T244	Stainless	Weave	Silicone-70	Silicone-70	White	Top	bulb-ears	0.394	10.008	0.529	13.437	0.550	14.0	1.060	26.9	0.250	6.350	0.500	12.7	-45	121	-49	250
0.040	0.125	1.0	3.2	D3-022-S044	Steel	Weave	Silicone-70	Silicone-70	Black	Top	Bulb	0.394	10.008	0.528	13.411	0.550	14.0	1.562	39.7	-	-	0.550	14.0	-45	121	-49	250
0.040	0.125	1.0	3.2	D3-024-S044	Steel	Weave	Silicone-70	Silicone-70	Black	Side	bulb-ears	0.394	10.008	0.529	13.437	1.150	29.2	-	-	-	-	5.300	134.6	-45	121	-49	250
0.040	0.125	1.0	3.2	D3-026-S011	Steel	Weave	d-epdm-70	cc-epdm-25	Black	Top	Bulb	0.394	10.008	0.529	13.437	0.394	10.0	0.805	20.4	-	-	0.275	7.0	-40	121	-40	250
0.040	0.125	1.0	3.2	D3-028-S044	Steel	Weave	Silicone-70	Silicone-70	Black	Top	bulb-ears	0.394	10.008	0.532	13.513	-	-	1.060	26.9	0.250	6.350	0.500	12.7	-45	121	-49	250
0.040	0.125	1.0	3.2	D3-036-S011	Steel	Weave	d-epdm-70	cc-epdm-45	Black	Top	Wing	0.394	10.008	0.532	13.513	0.756	19.2	2.500	63.5	-	-	1.971	50.1	-40	121	-40	250
0.156 *		4.0 *		D3-038-S021	Steel	Clip	flex-pvc-65	cc-epdm-25	Black	Side	Bulb	-	-	0.567	14.402	0.937	23.8	0.866	22.0	-	-	-	-	100		212	
0.040	0.125	1.0	3.2	D3-040-S011	Steel	Weave	d-epdm-60	d-epdm-60	Black	Top	Wing	0.343	8.712	-	-	-	-	1.300	33.0	-	-	-	-	-40	121	-40	250
0.040	0.125	1.0	3.2	D3-044-T011	Stainless	Weave	d-epdm-70	cc-epdm-25	Black	Top	bulb-ears	0.394	10.008	0.529	13.437	0.430	10.9	0.827	21.0	-	-	0.430	10.9	-40	121	-40	250
0.156 *		4.0 *		D3-052-S011	Steel	Weave	d-epdm-70	cc-epdm-25	Black	Side	Bulb	0.551	13.995	0.737	18.720	-	-	1.245	31.6	-	-	-	-	-40	121	-40	250
0.040	0.125	1.0	3.2	D3-056-T044	Stainless	Weave	Silicone-70	Silicone-70	Black	Top	bulb-ears	0.394	10.008	0.529	13.437	0.420	10.7	0.844	21.4	-	-	0.420	10.7	-45	121	-49	250
0.040	0.125	1.0	3.2	D3-059-S144	Steel	Weave	Silicone-50	Silicone-50	Grey	Side	Bulb	0.394	10.008	0.529	13.437	0.656	16.7	0.529	13.4	-	-	0.262	6.7	-45	121	-49	250
0.040	0.125	1.0	3.2	D3-060-S011	Steel	Weave	d-epdm-70	cc-epdm-25	Black	Top	Bulb	0.359	9.119	0.491	12.471	0.359	9.1	0.848	21.5	-	-	0.357	9.1	-40	121	-40	250
0.040	0.125	1.0	3.2	D3-063-S011	Steel	Clip	d-epdm-70	cc-epdm-25	Black	Side	Bulb	0.394	10.008	0.512	13.005	-	-	-	-	-	-	0.591	15.0	-40	121	-40	250
0.156 *		4.0 *		D3-065-S011	Steel	Weave	d-epdm-70	cc-epdm-25	Black	Side	bulb-ears	0.394	10.008	0.512	13.005	0.630	16.0	0.512	13.0	-	-	0.433	11.0	-40	121	-40	250
0.040	0.125	1.0	3.2	D3-067-S144	Steel	Clip	Silicone-60	Silicone-60	Grey	Side	Bulb	0.600	15.240	0.600	15.240	-	-	-	-	-	-	0.430	10.9	-45	232	-49	450
0.125 *		3.2 *		D3-071-S021	Steel	Clip	flex-pvc-65	cc-epdm-25	Black	Side	Bulb	0.326	8.280	0.525	13.335	0.763	19.4	0.525	13.3	-	-	0.437	11.1	100		212	
0.040	0.125	1.0	3.2	D3-072-S011-S	Steel	Weave	d-epdm-70	cc-epdm-25	Black	Top	bulb-ears	0.394	10.008	0.512	13.005	0.431	10.9	0.827	21.0	-	-	0.431	10.9	-40	121	-40	250
0.040	0.125	1.0	3.2	D3-073-S011-S	Steel	Weave	d-epdm-70	cc-epdm-25	Black	Side	bulb-ears	0.394	10.008	0.512	13.005	0.630	16.0	0.512	13.0	-	-	0.433	11.0	-40	121	-40	250
0.040	0.125	1.0	3.2	D3-083-0011	None	-	d-epdm-70	cc-epdm-25	Black	Top	Bulb	0.357	9.068	0.491	12.471	0.357	9.1	0.836	21.2	-	-	0.357	9.1	-40	121	-40	250
0.125 *		3.2 *		D3-093-S011	Steel	Clip	d-epdm-40	cc-epdm-40	Black	Top	Wing	0.500	12.700	0.600	15.240	-	-	1.750	44.5	-	-	-	-	-40	121	-40	250
0.040	0.125	1.0	3.2	D3-094-S144	Steel	Weave	Silicone-50	Silicone-50	Grey	Side	Wing	0.394	10.008	0.532	13.513	0.697	17.7	0.532	13.5	-	-	0.303	7.7	-45	121	-49	250

2D/3D drawings available on request. Items highlighted in yellow: Call Factory to check availability. Tooling may be required.



Seal-Fast™ Product - Size & Dimension Chart (Imperial & Metric)																											
Edge Thickness Range *Nominal size (±20%)				Part Number	Material Description d = Dense / cc = Closed Cell							Dimensions												Continuous Operating Temperature			
																								Celsius		Fahrenheit	
(inches)		(mm)																							Min	Max	Min
Min	Max	Min	Max	Substrate Material	Substrate Type	Carrier Material	Seal Material	Color	Seal Config.	Profile	Carrier Width (inches)	Carrier Width (mm)	Carrier Height (inches)	Carrier Height (mm)	Overall Width (inches)	Overall Width (mm)	Overall Height (inches)	Overall Height (mm)	Seal Radius (inches)	Seal Radius (mm)	Seal Width (inches)	Seal Width (mm)	Min	Max	Min	Max	
0.040	0.125	1.0	3.2	D3-095-S044	Steel	Weave	Silicone-75	Silicone-75	Black	Top	Wing	0.394	10.008	5.290	134.366	0.394	10.0	0.922	23.4	-	-	0.393	10.0	-45	121	-49	250
0.125*		3.2*		D3-096-S011	Steel	Weave	d-epdm-70	cc-epdm-25	Black	Top	Bulb	2.700	68.580	0.425	10.795	0.400	10.2	0.825	21.0	-	-	0.400	10.2	-40	121	-40	250
0.040	0.125	1.0	3.2	D3-097-S011	Steel	Weave	d-epdm-70	cc-epdm-25	Black	Side	Bulb	-	-	0.575	14.605	1.080	27.4	0.590	15.0	-	-	0.590	15.0	-40	121	-40	250
0.156*		4.0*		D3-106-S011	Steel	Weave	d-epdm-70	cc-epdm-25	Black	Top	bulb-ears	0.394	10.008	0.500	12.700	0.440	11.2	0.860	21.8	-	-	0.440	11.2	-40	121	-40	250
0.156*		4.0*		D3-107-S011	Steel	Weave	d-epdm-70	cc-epdm-25	Black	Top	Bulb	-	-	0.630	16.002	0.480	12.2	1.275	32.4	-	-	0.480	12.2	-40	121	-40	250
0.125*		3.2*		D3-109-S011	Steel	Weave	d-epdm-60	d-epdm-60	Black	Top	Wing	0.343	8.712	0.512	13.005	0.343	8.7	1.075	27.3	-	-	0.563	14.3	-40	121	-40	250
0.040	0.125	1.0	3.2	D3-112-S011	Steel	Weave	d-epdm-70	d-epdm-70	Black	Top	Wing	0.394	10.008	0.532	13.513	-	-	0.925	23.5	-	-	0.393	10.0	-40	121	-40	250
0.040	0.125	1.0	3.2	D3-114-S044	Steel	Weave	Silicone-75	Silicone-75	Black	Top	Bulb	0.394	10.008	0.532	13.513	0.380	9.7	0.942	23.9	-	-	0.380	9.7	-45	121	-49	250
0.040	0.125	1.0	3.2	D3-118-S033	Steel	Weave	Neoprene-70	Neoprene-70	Black	Top	bulb-ears	0.394	10.008	0.532	13.513	-	-	0.844	21.4	-	-	-	-	-40	121	-40	250
0.040	0.132	1.0	3.4	D3-119-S055	Steel	Weave	Nitrile-70	Nitrile-70	Black	Top	bulb-ears	0.394	10.008	0.532	13.513	0.440	11.2	0.860	21.8	-	-	0.440	11.2	-40	100	-40	212
0.040	0.125	1.0	3.2	D3-132-S144	Steel	Weave	Silicone-75	Silicone-75	Black	Top	Bulb	0.394	10.008	0.532	13.513	0.590	15.0	1.159	29.4	-	-	0.590	15.0	-45	121	-49	250
0.040	0.125	1.0	3.2	D3-133-S144	Steel	Weave	Silicone-50	Silicone-50	Grey	Side	Wing	0.394	10.008	0.529	13.437	0.686	17.4	-	-	-	-	0.292	7.4	-45	121	-49	250
0.156*		4.0*		D3-142-S011	Steel	Weave	d-epdm-70	cc-epdm-25	Black	Side	bulb-ears	0.400	10.160	0.675	17.145	1.575	40.0	-	-	-	-	1.150	29.2	-40	121	-40	250
0.156*		4.0*		D3-143-S011	Steel	Weave	d-epdm-70	cc-epdm-25	Black	Side	Bulb	0.400	10.160	0.735	18.669	1.400	35.6	-	-	-	-	1.000	25.4	-40	121	-40	250
0.156*		4.0*		D3-144-S011	Steel	Weave	d-epdm-70	cc-epdm-25	Black	Side	Bulb	0.400	10.160	0.725	18.415	1.400	35.6	1.350	34.3	-	-	1.000	25.4	-40	121	-40	250
0.040	0.125	1.0	3.2	D3-145-S011	Steel	Weave	d-epdm-70	d-epdm-70	Black	Side	Bulb	0.394	10.008	0.529	13.437	0.656	16.7	-	-	-	-	0.259	6.6	-40	121	-40	250
0.156*		4.0*		D3-154-A021	Aluminum	Clip	flex-pvc-65	cc-epdm-25	Black	Side	Bulb	0.326	8.280	0.525	13.335	0.763	19.4	-	-	-	-	0.437	11.1	100	212		
0.156*		4.0*		D3-155-S021	Steel	Clip	flex-pvc-65	cc-epdm-25	Black	Side	Bulb	0.326	8.280	0.525	13.335	0.763	19.4	-	-	-	-	0.437	11.1	100	212		
0.080	0.156	2.0	4.0	D3-169-S021	Steel	Clip	flex-pvc-65	cc-epdm-35	Black	Top	Wing	0.000	0.681	17.297	0.929	23.6	2.244	57.0	-	-	-	1.563	39.7	100	212		
0.125		3.2		D3-177-S011	Steel	Staple	d-epdm-70	cc-epdm-25	Black	Side	Bulb	0.600	15.240	0.600	15.240	0.550	14.0	3.263	82.9	-	-	0.550	14.0	-40	121	-40	250
0.156		4.0		D3-178-S011	Steel	Weave	d-epdm-70	d-epdm-70	Black	Side	Wing	0.335	8.509	0.580	14.732	-	-	1.200	30.5	-	-	0.865	22.0	-40	121	-40	250
0.156		4.0		D3-186-S011	Steel	Weave	d-epdm-70	cc-epdm-25	Black	Side	bulb-ears	0.420	10.668	0.700	17.780	0.995	25.3	-	-	-	-	0.625	15.9	-40	121	-40	250
0.156		4.0		D3-192-S011	Steel	Weave	d-epdm-70	d-epdm-70	Black	Top	Wing	0.340	8.636	0.457	11.608	-	-	1.302	33.1	-	-	0.845	21.5	-40	121	-40	250
0.040	0.125	1.0	3.2	D3-203-S011	Steel	Weave	d-epdm-65	cc-epdm-25	Black	Side	Wing	-	-	0.512	13.005	0.810	20.6	-	-	-	-	0.453	11.5	-40	121	-40	250
0.125*		3.2*		D3-212-S011	Steel	Weave	d-epdm-70	cc-epdm-25	Black	Side	Wing	0.340	8.636	0.575	14.605	0.940	23.9	-	-	-	-	0.600	15.2	-40	121	-40	250
0.040	0.125	1.0	3.2	D3-224-S044	Steel	Weave	Silicone-75	Silicone-75	Black	Side	Wing	0.394	10.008	0.529	13.437	0.697	17.7	0.529	13.4	-	-	0.303	7.7	-45	121	-49	250
0.040	0.125	1.0	3.2	D3-228-S044	Steel	Weave	Silicone-75	Silicone-75	Black	Top	Wing	0.394	10.008	0.519	13.183	0.394	10.0	0.832	21.1	-	-	0.279	7.1	-45	121	-49	250
0.040	0.125	1.0	3.2	D3-261-S044	Steel	Weave	Silicone-70	Silicone-70	Black	Side	Wing	0.394	10.008	0.529	13.437	1.125	28.6	0.529	13.4	-	-	0.731	18.6	-45	121	-49	250
0.040	0.125	1.0	3.2	D3-270-S044	Steel	Weave	Silicone-75	Silicone-75	Black	Side	Bulb	0.394	10.008	0.529	13.437	0.656	16.7	0.529	13.4	-	-	0.262	6.7	-45	121	-49	250
0.187*		4.7*		D4-033-T244	Stainless	Weave	Silicone-60	Silicone-60	White	Side	Bulb	0.394	10.008	0.529	13.437	0.923	23.4	-	-	-	-	0.523	13.3	-45	121	-49	250
0.187*		4.7*		D4-034-S011	Steel	Weave	d-epdm-70	cc-epdm-25	Black	Top	Bulb	0.409	10.389	-	-	-	-	1.563	39.7	-	-	1.130	28.7	-40	121	-40	250
0.187*		4.7*		D4-037-S011	Steel	Weave	d-epdm-70	cc-epdm-25	Black	Top	bulb-ears	0.394	10.008	0.532	13.513	-	-	0.938	23.8	0.190	4.826	0.380	9.7	-40	121	-40	250
0.187*		4.7*		D4-105-S011	Steel	Weave	d-epdm-70	cc-epdm-25	Black	Top	Bulb	0.450	11.430	0.500	12.700	0.585	14.9	1.190	30.2	-	-	0.585	14.9	-40	121	-40	250
0.187*		4.7*		D4-115-S011	Steel	Weave	d-epdm-70	cc-epdm-25	Black	Top	Bulb	0.394	10.008	0.531	13.487	-	-	0.938	23.8	-	-	0.380	9.7	-40	121	-40	250
0.187*		4.7*		D4-117-S011	Steel	Weave	d-epdm-70	cc-epdm-25	Black	Top	Bulb	0.443	11.252	-	-	-	-	1.340	34.0	-	-	0.787	20.0	-40	121	-40	250
0.187*		4.7*		D4-187-S011	Steel	Weave	d-epdm-70	cc-epdm-25	Black	Top	Bulb	3.500	88.900	0.627	15.926	1.100	27.9	1.550	39.4	-	-	1.100	27.9	-40	121	-40	250
0.187*		4.7*		D4-207-0144	None	-	Silicone-50	Silicone-50	Grey	Top	Bulb	0.690	17.526	0.220	5.588	0.750	19.1	0.570	14.5	-	-	0.690	17.5	-45	232	-49	450
0.187*		4.7*		D4-238-S044	Steel	Clip	Silicone-60	Silicone-60	Black	Top	Bulb	0.600	15.240	0.220	5.588	0.750	19.1	0.570	14.5	-	-	0.690	17.5	-45	204	-49	399
0.187*		4.7*		D4-239-S144	Steel	Clip	Silicone-60	Silicone-60	Grey	Top	bulb-ears	-	-	0.575	14.605	1.000	25.4	1.750	44.5	-	-	0.575	14.6	-45	232	-49	450
0.250*		6.4*		D5-104-S011	Steel	Weave	d-epdm-70	cc-epdm-25	Black	Side	Bulb	0.512	13.005	0.675	17.145	1.137	28.9	-	-	-	-	6.250	158.8	-40	121	-40	250
0.250*		6.4*		D5-126-S011	Steel	Weave	d-epdm-70	d-epdm-70	Black	Side	Wing	0.675	17.145	0.512	13.005	-	-	1.100	27.9	-	-	0.425	10.8	-40	121	-40	250
0.250*		6.4*		D5-130-S011	Steel	Weave	d-epdm-70	cc-epdm-25	Black	Side	Bulb	0.539	13.691	0.716	18.186	1.019	25.9	-	-	-	-	0.499	12.7	-40	121	-40	250

2D/3D drawings available on request. Items highlighted in yellow: Call Factory to check availability. Tooling may be required.

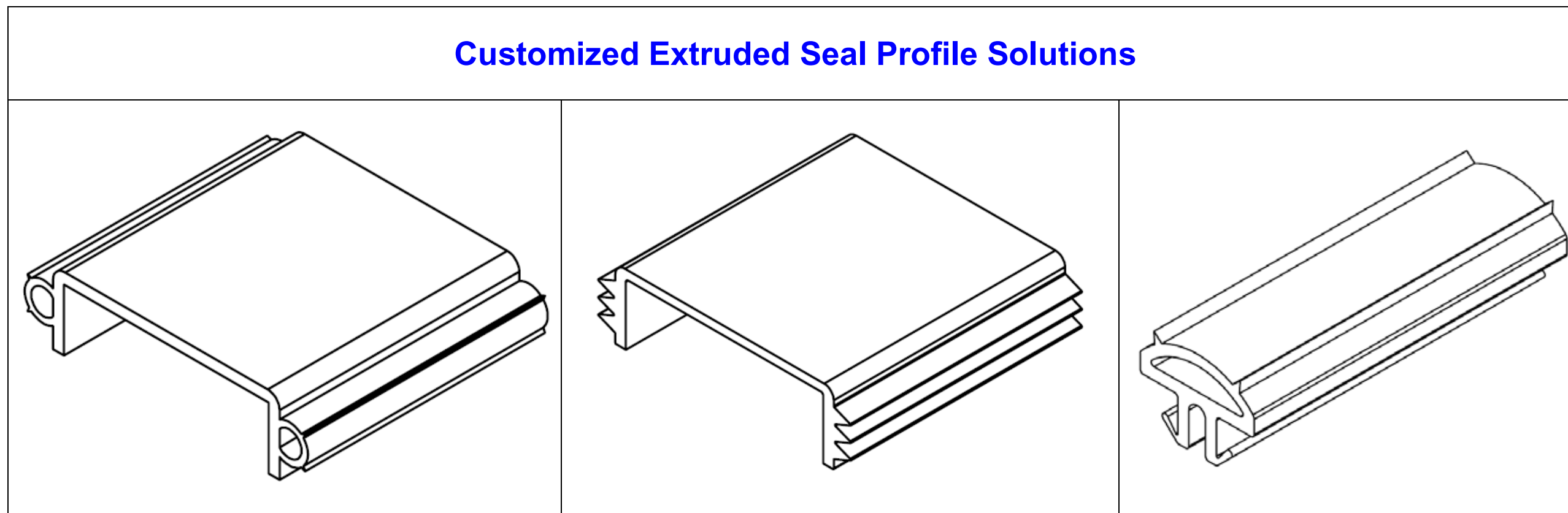


Seal-Fast™ Product - Size & Dimension Chart (Imperial & Metric)																											
Edge Thickness Range *Nominal size (±20%)				Part Number	Material Description d = Dense / cc = Closed Cell						Dimensions												Continuous Operating Temperature				
																							Celsius		Fahrenheit		
(inches)		(mm)																									
Min	Max	Min	Max	Substrate Material	Substrate Type	Carrier Material	Seal Material	Color	Seal Config.	Profile	Carrier Width (inches)	Carrier Width (mm)	Carrier Height (inches)	Carrier Height (mm)	Overall Width (inches)	Overall Width (mm)	Overall Height (inches)	Overall Height (mm)	Seal Radius (inches)	Seal Radius (mm)	Seal Width (inches)	Seal Width (mm)	Min	Max	Min	Max	
0.250 *	6.4 *	D5-179-S011	Steel	Weave	d-epdm-70	cc-epdm-25	Black	Top	Bulb	0.512	13.005	0.675	17.145	-	-	1.175	29.8	-	-	0.500	12.7	-40	121	-40	250		
0.250 *	6.4 *	D5-229-S011	Steel	Weave	d-epdm-70	cc-epdm-25	Black	Side	bulb-ears	0.630	16.002	0.866	21.996	1.496	38.0	-	-	-	-	0.748	19.0	-40	121	-40	250		
0.313 *	8.0 *	D6-156-S011	Steel	Weave	d-epdm-70	cc-epdm-25	Black	Side	Bulb	0.510	12.954	0.675	17.145	1.135	28.8	-	-	-	-	0.625	15.9	-40	121	-40	250		
0.313 *	8.0 *	D6-157-S011	Steel	Weave	d-epdm-70	cc-epdm-25	Black	Side	Bulb	0.512	13.005	0.675	17.145	-	-	-	-	-	-	0.500	12.7	-40	121	-40	250		
0.313 *	8.0 *	D7-057-001	None	-	None	cc-epdm-25	Black	PSA	Bulb	-	-	-	-	0.378	9.6	-	-	-	-	-	-	-40	121	-40	250		
0.313 *	8.0 *	D7-077-S021	Steel	Clip	flex-pvc-65	cc-epdm-25	Black	Top	Bulb	-	-	0.600	15.240	-	-	-	-	-	-	0.625	15.9	100	212	-40	121	-40	250
0.313 *	8.0 *	D7-087-001	None	-	None	cc-epdm-25	Black	PSA	Bulb	-	-	-	-	-	-	0.250	6.4	-	-	0.375	9.5	-40	121	-40	250		
0.394 *	10.0 *	D7-163-001	None	-	None	cc-epdm-25	Black	PSA	Flat	-	-	-	-	-	-	0.197	5.0	-	-	0.394	10.0	-40	121	-40	250		
0.500 *	12.7 *	D8-012-S011	Steel	Weave	d-epdm-70	cc-epdm-25	Black	Side	Bulb	0.732	18.593	0.608	15.443	1.161	29.5	0.429	10.9	-	-	0.475	12.1	-40	121	-40	250		
0.500 *	12.7 *	D8-025-S044	Steel	Weave	Silicone-70	Silicone-70	Black	Side	Bulb	0.732	18.593	0.608	15.443	1.161	29.5	0.608	15.4	-	-	0.475	12.1	-45	121	-49	250		
0.500 *	12.7 *	D8-085-001	None	-	None	cc-epdm-25	Black	PSA	Bulb	-	-	-	-	0.662	16.8	0.562	14.3	-	-	0.500	12.7	-40	121	-40	250		
0.500 *	12.7 *	D8-200-0144	None	-	None	Silicone-50	Grey	PSA	Bulb	-	-	-	-	1.000	25.4	-	-	-	-	0.437	11.1	-45	121	-49	250		
0.500 *	12.7 *	D8-201-0144	None	-	None	Silicone-60	Grey	PSA	Bulb	-	-	-	-	1.350	34.3	0.500	12.7	-	-	0.476	12.1	-45	232	-49	450		
0.625 *	15.9 *	D9-027-S011	Steel	Weave	d-epdm-70	cc-epdm-25	Black	Side	Bulb	0.926	23.520	0.607	15.418	1.324	33.6	0.607	15.4	-	-	0.472	12.0	-40	121	-40	250		
0.591 *	15.0 *	D9-069-003	None	-	None	Neoprene-25	Black	PSA	Flat	-	-	-	-	0.591	15.0	0.197	5.0	-	-	-	-	-34	100	-29	212		
0.625 *	15.9 *	D9-088-001	None	-	None	cc-epdm-25	Black	PSA	bulb-wing	-	-	-	-	0.685	17.4	-	-	-	-	0.500	12.7	-40	121	-40	250		
0.625 *	15.9 *	D9-089-001	None	-	None	cc-epdm-25	Black	PSA	Bulb	-	-	-	-	0.625	15.9	0.625	15.9	-	-	0.625	15.9	-40	121	-40	250		
0.625 *	15.9 *	D9-123-001 rev2	None	-	None	cc-epdm-25	Black	PSA	Bulb	-	-	-	-	0.610	15.5	0.358	9.1	-	-	0.610	15.5	-40	121	-40	250		
0.625 *	15.9 *	D9-146-001	None	-	None	cc-epdm-25	Black	PSA	Wing	-	-	-	-	0.630	16.0	0.800	20.3	-	-	0.650	16.5	-40	121	-40	250		
0.591 *	15.0 *	D9-161-001	None	-	None	cc-epdm-25	Black	PSA	Flat	-	-	-	-	0.591	15.0	0.157	4.0	-	-	0.591	15.0	-40	121	-40	250		
0.591 *	15.0 *	D9-164-001	None	-	None	cc-epdm-25	Black	PSA	Flat	-	-	-	-	0.591	15.0	0.197	5.0	-	-	0.591	15.0	-40	121	-40	250		
0.625 *	15.9 *	D9-174-001	None	-	None	cc-epdm-25	Black	PSA	47.5°	-	-	-	-	0.669	17.0	0.689	17.5	-	-	0.790	20.1	-40	121	-40	250		
0.625 *	15.9 *	D9-175-001	None	-	None	cc-epdm-25	Black	PSA	Wing	-	-	0.475	12.065	0.650	16.5	1.000	25.4	-	-	0.525	13.3	-40	121	-40	250		
0.700 *	17.8 *	D10-081-001	None	-	None	cc-epdm-25	Black	PSA	Bulb	-	-	-	-	0.700	17.8	0.600	15.2	-	-	0.700	17.8	-40	121	-40	250		
0.750 *	19.1 *	D10-108-001	None	-	None	cc-epdm-25	Black	PSA	Bulb	-	-	-	-	0.750	19.1	0.563	14.3	-	-	-	-	-40	121	-40	250		
0.750 *	19.1 *	D10-120-001	None	-	None	cc-epdm-25	Black	PSA	Bulb	-	-	-	-	0.750	19.1	5.620	142.7	-	-	-	-	-40	121	-40	250		
0.750 *	19.1 *	D10-148-001	None	-	None	cc-epdm-25	Black	PSA	Bulb	-	-	-	-	0.700	17.8	0.850	21.6	-	-	-	-	-40	121	-40	250		
0.750 *	19.1 *	D10-162-001	None	-	None	cc-epdm-25	Black	PSA	Flat	-	-	-	-	0.787	20.0	0.157	4.0	-	-	-	-	-40	121	-40	250		
0.787 *	20.0 *	D10-165-001	None	-	None	cc-epdm-25	Black	PSA	Flat	-	-	-	-	0.787	20.0	0.197	5.0	-	-	-	-	-40	121	-40	250		
0.787 *	20.0 *	D10-166-001	None	-	None	cc-epdm-25	Black	PSA	Flat	-	-	-	-	0.787	20.0	0.394	10.0	-	-	-	-	-40	121	-40	250		
0.787 *	20.0 *	D10-168-001	None	-	None	cc-epdm-25	Black	PSA	Flat	-	-	-	-	0.787	20.0	0.590	15.0	-	-	-	-	-40	121	-40	250		
0.725 *	18.4 *	D10-230-0011	None	-	None	cc-epdm-25	Black	PSA	Bulb	-	-	-	-	0.725	18.4	0.875	22.2	-	-	0.650	16.5	-40	121	-40	250		
0.875 *	22.2 *	D11-147-001	None	-	cc-epdm-25	cc-epdm-25	Black	PSA	Bulb	-	-	-	-	0.850	21.6	0.775	19.7	-	-	0.630	16.0	-40	121	-40	250		
1.000 *	24.4 *	D12-084-001	None	-	None	cc-epdm-25	Black	PSA	45°	-	-	-	-	1.000	25.4	0.750	19.1	-	-	0.750	19.1	-40	121	-40	250		
1.000 *	24.4 *	D12-090-001	None	-	None	cc-epdm-25	Black	PSA	Bulb	-	-	-	-	1.000	25.4	0.750	19.1	-	-	0.750	19.1	-40	121	-40	250		
1.000 *	24.4 *	D12-139-001	None	-	None	cc-epdm-25	Black	PSA	bulb-ears	-	-	-	-	0.900	22.9	1.250	31.8	-	-	-	-	-40	121	-40	250		
1.000 *	24.4 *	D12-214-001	None	-	None	cc-epdm-25	Black	PSA	Bulb	-	-	-	-	9.300	236.2	0.505	12.8	-	-	9.300	236.2	-40	121	-40	250		
1.000 *	24.4 *	D12-215-001	None	-	None	cc-epdm-25	Black	PSA	Bulb	-	-	-	-	1.000	25.4	0.750	19.1	-	-	1.000	25.4	-40	121	-40	250		
0.372 *	9.4 *	D12-252-0001	None	-	d-epdm-70	d-epdm-70	Black	Top	bulb-ears	0.372	9.449	0.410	10.414	1.092	27.7	0.838	21.3	-	-	1.100	27.9	-40	121	-40	250		
1.250 *	31.8 *	D14-193-0011a	None	-	None	cc-epdm-25	Black	PSA	Bulb	-	-	-	-	1.250	31.8	0.625	15.9	-	-	0.625	15.9	-40	121	-40	250		
1.250 *	31.8 *	D14-193-0011b	None	-	None	d-epdm-70	Black	PSA	Bulb	-	-	-	-	1.250	31.8	0.625	15.9	-	-	0.625	15.9	-40	121	-40	250		
1.250 *	31.8 *	D15-194-001	None	-	None	cc-epdm-25	Black	PSA	bulb-ears	-	-	-	-	1.425	36.2	0.625	15.9	-	-	0.940	23.9	-40	121	-40	250		

2D/3D drawings available on request. Items highlighted in yellow: Call Factory to check availability. Tooling may be required.

Seal-Fast™ Product - Size & Dimension Chart (Imperial & Metric)																										
Edge Thickness Range *Nominal size (±20%)				Part Number	Material Description						Dimensions										Continuous Operating Temperature					
(inches)		(mm)			d = Dense / cc = Closed Cell																Celsius		Fahrenheit			
Min	Max	Min	Max		Substrate Material	Substrate Type	Carrier Material	Seal Material	Color	Seal Config.	Profile	Carrier Width (inches)	Carrier Width (mm)	Carrier Height (inches)	Carrier Height (mm)	Overall Width (inches)	Overall Width (mm)	Overall Height (inches)	Overall Height (mm)	Seal Radius (inches)	Seal Radius (mm)	Seal Width (inches)	Seal Width (mm)	Min	Max	Min
1.250 *	31.8 *	D16-167-001	None	-	None	cc-epdm-25	Black	PSA	Flat	-	-	-	-	1.575	40.0	0.394	10.0	-	-	1.575	40.0	-40	121	-40	250	
1.250 *	31.8 *	D16-206-001	None	-	None	cc-epdm-25	Black	PSA	twin-bulb	-	-	-	-	1.500	38.1	0.500	12.7	-	-	-	-	-40	121	-40	250	
1.250 *	31.8 *	D16-211-001	None	-	None	cc-epdm-25	Black	PSA	Bulb	-	-	-	-	-	-	1.975	50.2	-	-	0.690	17.5	-40	121	-40	250	
2.000 *	50.8 *	D20-160-001	None	-	None	cc-epdm-25	Black	PSA	Flat	-	-	-	-	1.969	50.0	0.197	5.0	-	-	1.969	50.0	-40	121	-40	250	

2D/3D drawings available on request. Items highlighted in yellow: Call Factory to check availability. Tooling may be required.



Trim Edge

Red = PVC / Green = EPDM / Blue = Silicone

<p>S1-109-001</p>	<p>S3-044-S01</p>	<p>S3-054-001</p>	<p>S5-055-001</p>	<p>S5-105-005</p>
<p>S1-011-001</p>	<p>S3-060-S02</p>	<p>S3-087-S62</p>	<p>S5-088-S62</p> <p>This Product is Under Development</p>	<p>S7-061-001</p>
<p>S4-121-001</p>	<p>S2-029-S02</p>	<p>S2-049-S22</p>	<p>S3-046-S02</p>	<p>S3-052-S22</p>
<p>S5-067-S12</p>	<p>S5-069-S82</p>	<p>S5-084-T02</p> <p>This Product is Under Development</p>	<p>S5-095-S22</p>	<p>S6-100-S02</p>

Trim Edge		Red = PVC / Green = EPDM / Blue = Silicone			
<p>S5-069-S82</p>	<p>S5-084-T02</p>	<p>S5-095-S22</p>	<p>S6-100-S02</p>		
<p>S1-004-S02</p>	<p>S2-017-S12</p>	<p>S2-003-S02</p>	<p>S2-047-S02</p>	<p>S3-005-S02</p>	
<p>S3-050-S02</p>	<p>S3-051-S22</p>	<p>S3-063-S02</p> <p>This Product is Under Development</p>	<p>S4-065-S02</p>	<p>S4-136-004</p> <p>This Product is Under Development</p>	
<p>S4-106-S02</p>	<p>S4-107-S01</p>	<p>S3-101-S01</p>	<p>S5-008-S02</p>	<p>S3-001-S04</p>	

Trim Edge

Red = PVC / Green = EPDM / Blue = Silicone

<p>S3-002-S01</p>	<p>S3-053-T24</p>	<p>S4-098-S02</p>	<p>S4-097-S22</p>	<p>S5-028-S02</p>
<p>S5-070-S02</p>	<p>S6-071-S02</p>	<p>S5-086-T02</p> <p style="text-align: center; border: 1px solid black; padding: 5px;">This Product is Under Development</p>	<p>S5-096-S22</p>	<p>S6-080-S04</p>
<p>S6-009-S02</p>	<p>S6-010-S01</p>	<p>S7-014-S01</p>	<p>S8-056-S02</p>	<p>S8-099-S22</p>
<p>S8-113-S02</p>	<p>S8-115-S02</p>	<p>S8-116-T02</p> <p style="text-align: center; border: 1px solid black; padding: 5px;">This Product is Under Development</p>	<p>S9-006-S01</p>	<p>S12-102-001</p>



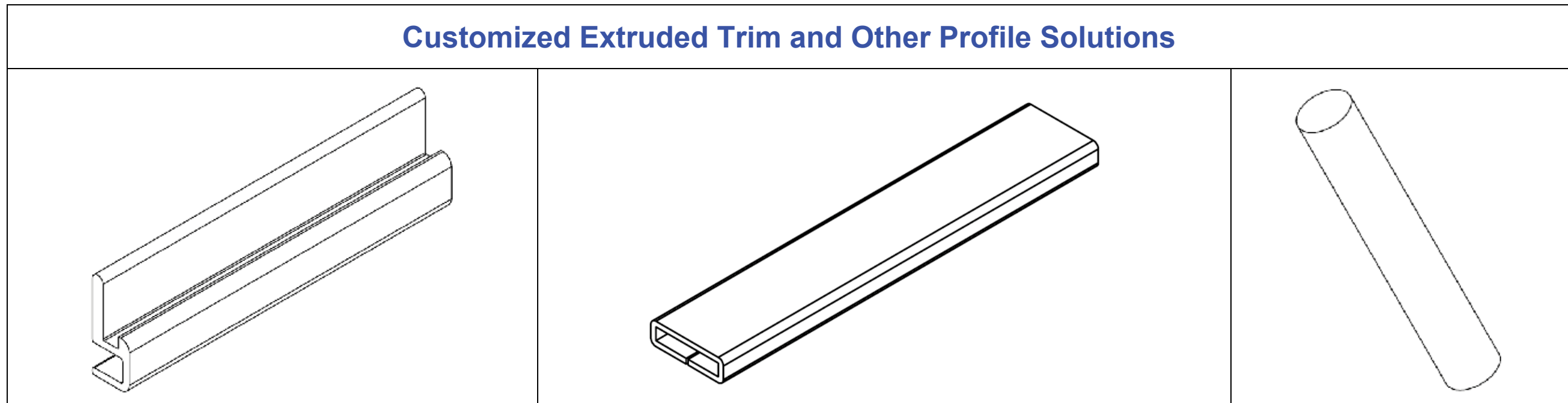
Trim-Fast™ Product - Size & Dimension Chart (Imperial & Metric)

Application Thickness Range *Nominal size (±20%)				PN	Dwg. Rev.	Substrate Material	Trim Material	Durometer Shore A (±5)	Color	Profile	Max Operating Temp.		Trim Width		Trim Height		Continuous Operating Temperature			
(inches)		(mm)									°C	°F	inches	(mm)	inches	(mm)	Celsius		Fahrenheit	
Min	Max	Min	Max														Min	Max	Min	Max
0.032 *		0.8 *		S0-064-S02	A	Steel Clip	PVC (flex)	65	Black	C	121	250	0.240	6.1	0.400	10.2	-40	121	-40	250
0.063 *		1.6 *		S1-004-S02	A	Steel Clip	PVC (flex)	65	Black	C	100	212	0.220	5.6	0.335	8.5	100		212	
0.062 *		1.6 *		S1-011-001	A	None	EPDM	70	Black	custom	121	250	0.180	4.6	0.434	11.0	-40	121	-40	250
0.031 *		0.8 *		S1-109-001	A	None	EPDM	70	Black	custom	121	250	0.236	6.0	0.378	9.6	-40	121	-40	250
0.08 *		2.0 *		S2-003-S02	A	Steel Clip	PVC (flex)	65	Black	C	100	212	0.256	6.5	0.374	9.5	100		212	
0.040	0.093	1.0	2.4	S2-017-S12	A	Steel Clip	PVC (flex)	65	Grey	B	100	212	0.256	6.5	0.374	9.5	100		212	
0.094 *		2.4 *		S2-029-S02	A	Steel Clip	PVC (flex)	65	Black	C	100	212	0.300	7.6	0.425	10.8	100		212	
0.094 *		2.4 *		S2-047-S02	A	Steel Clip	PVC (flex)	65	Black	C	100	212	0.300	7.6	0.425	10.8	100		212	
0.094 *		2.4 *		S2-048-S22	A	Steel Clip	PVC (flex)	65	Black	C	121	250	0.300	7.6	0.425	10.8	-40	121	-40	250
0.094 *		2.4 *		S2-049-S22	A	Steel Clip	PVC (flex)	65	White	C	100	212	0.300	7.6	0.425	10.8	100		212	
0.040	0.125	1.0	3.2	S3-001-S04	A	Wire Weave	Silicone	75	Black	F	121	250	0.394	10.0	0.560	14.2	-45	121	-49	250
0.040	0.125	1.0	3.2	S3-002-S01	A	Wire Weave	EPDM	70	Black	F	121	250	0.394	10.0	0.560	14.2	-40	121	-40	250
0.040	0.125	1.0	3.2	S3-003-S01	A	Steel Clip	EPDM	65	Black	C	121	250	0.394	10.0	0.563	14.3	-40	121	-40	250
0.040	0.118	1.0	3.0	S3-005-S02	A	Steel Clip	PVC (flex)	65	Black	C	100	212	0.354	9.0	0.472	12.0	100		212	
0.060	0.125	1.5	3.2	S3-012-001 (n/a)		None	EPDM				121	250	0.334	8.5	0.500	12.7	-40	121	-40	250
0.095	0.125	1.3	3.2	S3-044-S01	A	Wire Weave	EPDM	70	Black	custom	121	250	0.495	12.6	0.965	24.5	-40	121	-40	250
0.125 *		3.2 *		S3-046-S02	A	Steel Clip	PVC (flex)	65	Black	B	100	212	0.350	8.9	0.550	14.0	100		212	
0.125 *		3.2 *		S3-050-S02	A	Steel Clip	PVC (flex)	65	Black	B	100	212	0.350	8.9	0.550	14.0	100		212	
0.125 *		3.2 *		S3-051-S22	A	Steel Clip	PVC (flex)	65	White	C	100	212	0.350	8.9	0.550	14.0	100		212	
0.125 *		3.2 *		S3-052-S22	A	Steel Clip	PVC (flex)	65	White	B	100	212	0.350	8.9	0.550	14.0	100		212	
0.125 *		3.2 *		S3-053-T24	A	S Wire Weave	Silicone	60	White	F	121	250	0.394	10.0	0.560	14.2	-45	121	-49	250
0.125 *		3.2 *		S3-054-001	A	None	EPDM	70	Black	round	121	250	0.400	10.2	0.490	12.4	-40	121	-40	250
0.250 *		6.4 *		S3-055-001	B	None	EPDM	70	Black	round	121	250	0.450	11.4	0.500	12.7	-40	121	-40	250
0.125 *		3.2 *		S3-060-S02	A	Steel Clip	PVC (flex)	65	Black	custom	100	212	0.350	8.9	0.660	16.8	100		212	
0.125 *		3.2 *		S3-062-S02 (n/a)		Steel Clip	PVC				121	250	0.425	10.8	5.250	133.4	-40	121	-40	250
0.156 *		4.0 *		S3-063-S02	A	Steel Clip	PVC (flex)	65	Black	C	100	212	0.350	8.9	0.530	13.5	100		212	
0.125 *		3.2 *		S3-087-S62	A	Steel Clip	PVC (flex)	65	Yellow	custom	100	212	0.400	10.2	0.750	19.1	100		212	
0.125 *		3.2 *		S3-101-S01	A	Steel Clip	EPDM	70	Black	custom	121	250	0.400	10.2	0.410	10.4	-40	121	-40	250
0.187 *		4.7 *		S4-065-S02	A	Steel Clip	PVC (flex)	65	Black	C	100	212	0.370	9.4	0.550	14.0	100		212	
0.187 *		4.7 *		S4-097-S22	A	Steel Clip	PVC (flex)	65	Black	C	100	212	0.430	10.9	0.600	15.2	100		212	
0.187 *		4.7 *		S4-098-S22	A	Steel Clip	PVC (flex)	65	Black	C	100	212	0.430	10.9	0.600	15.2	100		212	
0.187 *		4.7 *		S4-106-S02	A	Steel Clip	PVC (flex)	65	Black	custom	100	212	0.370	9.4	0.670	17.0	100		212	
0.187 *		4.7 *		S4-107-S01	A	Wire Weave	EPDM	70	Black	custom	121	250	0.394	10.0	0.533	13.5	-40	121	-40	250
0.187 *		4.7 *		S4-121-001	A	None	EPDM	70	Black	C	121	250	0.315	8.0	0.394	10.0	-40	121	-40	250
.200 *		5.1 *		S4-136-004	3					custom										
0.250 *		6.4 *		S5-008-S02	A	Steel Clip	PVC (flex)	65	Black	C	100	212	0.453	11.5	0.669	17.0	100		212	
0.250 *		6.4 *		S5-028-S02	A	Steel Clip	PVC (flex)	65	Black	C	100	212	0.430	10.9	0.600	15.2	100		212	
0.250 *		6.4 *		S5-055-001	A	None	EPDM	70	Black	round	121	250	0.450	11.4	0.500	12.7	-40	121	-40	250
0.250 *		6.4 *		S5-067-S12	A	Steel Clip	PVC (flex)	65	Grey	C	100	212	0.430	10.9	0.650	16.5	100		212	
0.250 *		6.4 *		S5-069-S82	A	Steel Clip	PVC (flex)	65	Beige	C	100	212	0.430	10.9	0.650	16.5	100		212	
0.250 *		6.4 *		S5-070-S02	A	Steel Clip	PVC (flex)	65	Black	C	100	212	0.430	10.9	0.650	16.5	100		212	
0.250 *		6.4 *		S5-075-S02	A	Steel Clip	PVC (flex)	65	Black	C	121	250	0.500	12.7	0.700	17.8	-40	121	-40	250
0.250 *		6.4 *		S5-076-S02	A	Steel Clip	PVC (flex)	65	Black	C	100	212	0.540	13.7	0.650	16.5	100		212	
0.250 *		6.4 *		S5-077-A02 (n/a)		Aluminum	PVC				121	250	0.520	13.2	0.630	16.0	-40	121	-40	250
0.250 *		6.4 *		S5-078-A02 (n/a)		Aluminum	PVC				121	250	0.500	12.7	0.700	17.8	-40	121	-40	250
0.250 *		6.4 *		S5-084-T02	B	SS Clip	PVC (flex)	65	Black	C	100	212	0.540	13.7	0.650	16.5	100		212	
0.250 *		6.4 *		S5-084-S02		Steel Clip	PVC (flex)	65	Black		100	212	0.540	13.7	0.650	16.5	100		212	
0.250 *		6.4 *		S5-086-T02	A	SS Clip	PVC (flex)	65	Black	custom	100	212	0.475	12.1	0.725	18.4	100		212	

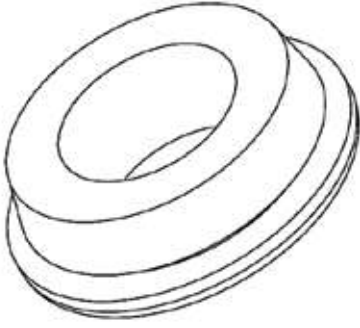
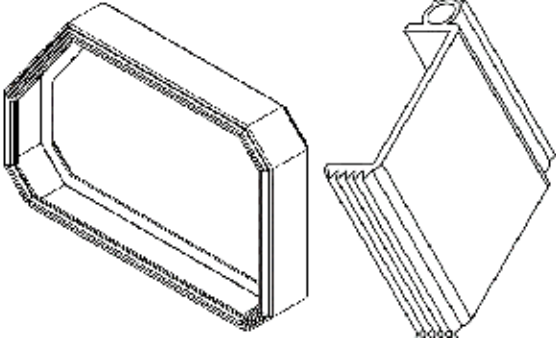
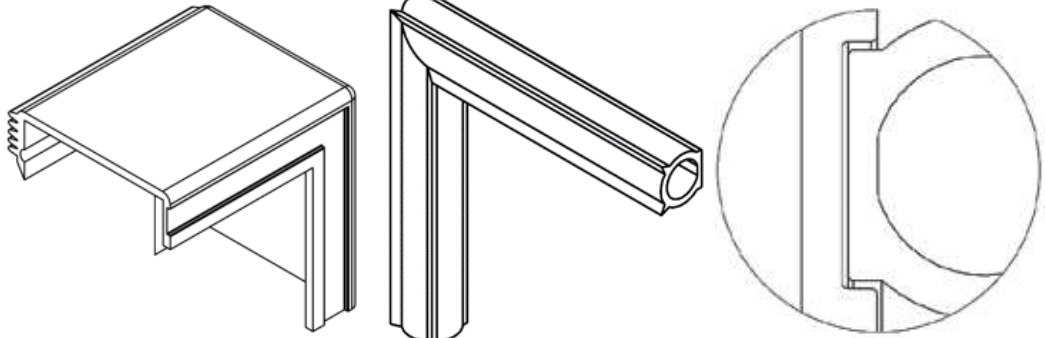
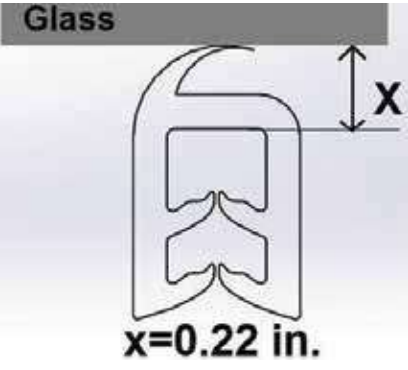
2D/3D drawings available on request. Items highlighted in yellow: Call Factory to check availability. Tooling may be required.

Trim-Fast™ Product - Size & Dimension Chart (Imperial & Metric)																				
Application Thickness Range *Nominal size (±20%)				PN	Dwg. Rev.	Substrate Material	Trim Material	Durometer Shore A (±5)	Color	Profile	Max Operating Temp.		Trim Width		Trim Height		Continuous Operating Temperature			
(inches)		(mm)									°C	°F	inches	(mm)	inches	(mm)	Celsius		Fahrenheit	
Min	Max	Min	Max														Min	Max	Min	Max
0.250 *		6.4 *		S5-088-S62	A	Steel Clip	PVC (flex)	65	Yellow	C	100	212	0.400	10.2	0.750	19.1	100		212	
0.250 *		6.4 *		S5-095-S22	A	Steel Clip	PVC (flex)	65	White	B	100	212	0.540	13.7	0.650	16.5	100		212	
0.250 *		6.4 *		S5-096-S22	A	Steel Clip	PVC (flex)	65	White	custom	100	212	0.475	12.1	0.725	18.4	100		212	
0.250 *		6.4 *		S5-105-005	A	None	Nitrile	70	Black	round	121	250	0.450	11.4	0.500	12.7	-40	121	-40	250
0.313 *		8.0 *		S6-009-S02	A	Steel Clip	PVC (flex)	65	Black	A	100	212	0.512	13.0	0.591	15.0	100		212	
0.250 *		6.4 *		S6-010-S01	A	Wire Weave	EPDM	75	Black	E	121	250	0.539	13.7	0.716	18.2	-40	121	-40	250
0.313 *		8.0 *		S6-071-S02	A	Steel Clip	PVC (flex)	65	Black	A	100	212	0.475	12.1	0.725	18.4	100		212	
0.312 *		7.9 *		S6-072-S02 (n/a)		Steel Clip	PVC				121	250	0.537	13.6	0.650	16.5	-40	121	-40	250
0.313 *		8.0 *		S6-080-S04	A	Wire Weave	Silicone	75	Black	F	121	250	0.512	13.0	0.675	17.1	-45	121	-49	250
0.313 *		8.0 *		S6-100-S02	A	Steel Clip	PVC (flex)	65	Black	B	100	212	0.540	13.7	0.650	16.5	100		212	
0.375 *		9.5 *		S7-014-S01	A	Wire Weave	EPDM	70	Black	D	121	250	0.732	18.6	0.618	15.7	-40	121	-40	250
0.375 *		9.5 *		S7-061-001	A	None	EPDM	70	Black	custom	121	250	0.649	16.5	1.000	25.4	-40	121	-40	250
0.500 *		12.7 *		S8-056-S02	A	Steel Clip	PVC (flex)	65	Black	custom	100	212	0.751	19.1	0.600	15.2	100		212	
0.500 *		12.7 *		S8-073-S02 (n/a)		Steel Clip	PVC		Black		121	250	0.750	19.1	0.600	15.2	-40	121	-40	250
0.500 *		12.7 *		S8-099-S22	A	Steel Clip	PVC (flex)	65	White	E	100	212	0.775	19.7	1.010	25.7	100		212	
0.500 *		12.7 *		S8-113-S02	A	Steel Clip	PVC (flex)	65	Black	E	100	212	0.775	19.7	1.010	25.7	100		212	
0.500 *		12.7 *		S8-115-S02	A	Steel Clip	PVC (flex)	65	Black	D	100	212	0.720	18.3	6.750	171.5	100		212	
0.500 *		12.7 *		S8-116-T02	A	SS Clip	PVC (flex)	65	Black	D	100	212	0.720	18.3	6.750	171.5	100		212	
0.625 *		15.9 *		S9-006-S01	A	Wire Weave	EPDM	70	Black	D	121	250	0.926	23.5	0.607	15.4	-40	121	-40	250
0.750 *		19.1 *		S10-058-001 (n/a)		None	EPDM				121	250	0.750	19.1	1.250	31.8	-40	121	-40	250
1.000 *		25.4 *		S12-102-001	A	None	EPDM	70	Black	custom	121	250	1.510	38.4	1.260	32.0	-40	121	-40	250

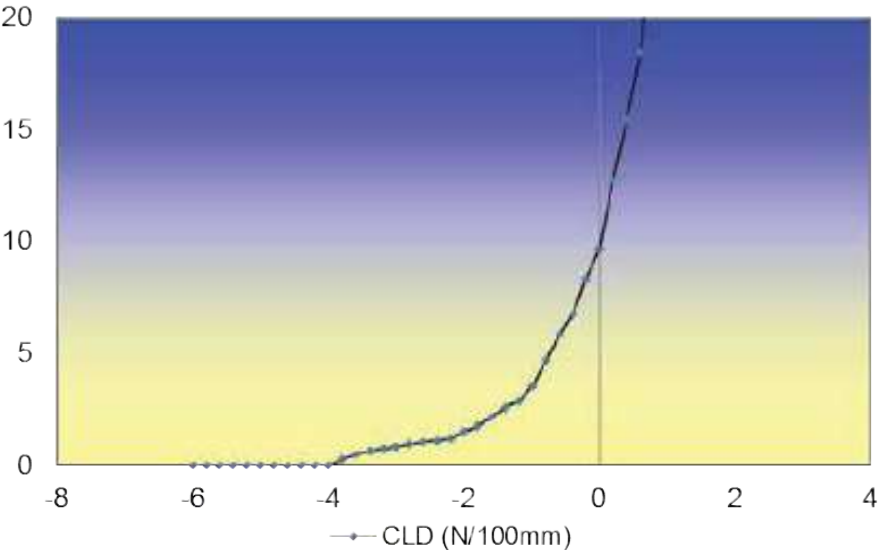
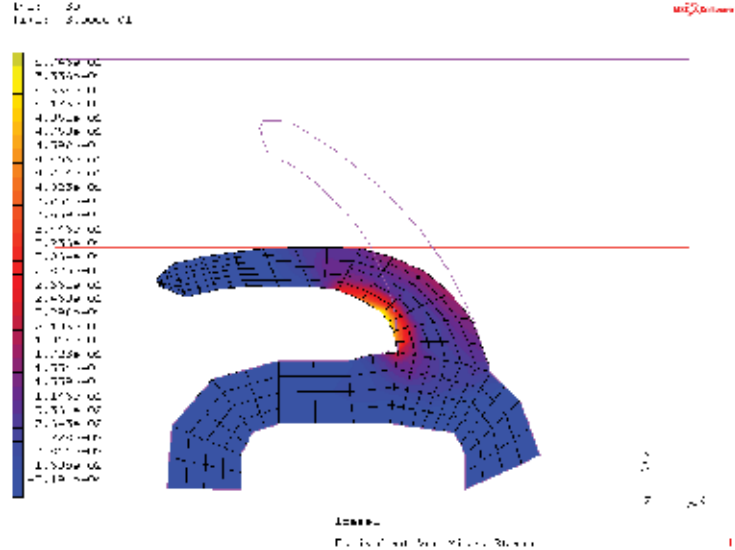
2D/3D drawings available on request. Items highlighted in yellow: Call Factory to check availability. Tooling may be required.



Design, Development, Prototyping and Manufacturing of Customized Molded Solutions

Stanchion Grommet	Ballistic Window Seals	Molded Carrier and Seal Corner Assembly	Analysis
			

Bend Radius Reports & Finite Element Analysis Services for Seal-Fast® Products

Compression Load Displacement Graph	Nominal Compression Position	Compression VS Force Data										
		<table border="1" style="margin-left: auto; margin-right: auto;"> <thead> <tr> <th></th> <th>Force (N/100mm)</th> </tr> </thead> <tbody> <tr> <td>CLD at Nominal -3 mm</td> <td>0.9</td> </tr> <tr> <td>CLD at Nominal -2 mm</td> <td>1.5</td> </tr> <tr style="background-color: #e0f2f7;"> <td>CLD at Nominal</td> <td>9.7</td> </tr> <tr> <td>CLD at Nominal +2 mm</td> <td>145.1</td> </tr> </tbody> </table>		Force (N/100mm)	CLD at Nominal -3 mm	0.9	CLD at Nominal -2 mm	1.5	CLD at Nominal	9.7	CLD at Nominal +2 mm	145.1
	Force (N/100mm)											
CLD at Nominal -3 mm	0.9											
CLD at Nominal -2 mm	1.5											
CLD at Nominal	9.7											
CLD at Nominal +2 mm	145.1											

Multi-Axis Bend Radius Reports are available for all "Off the Shelf" profiles and FEA can be requested for prototype development purposes only.

			
---	--	---	---