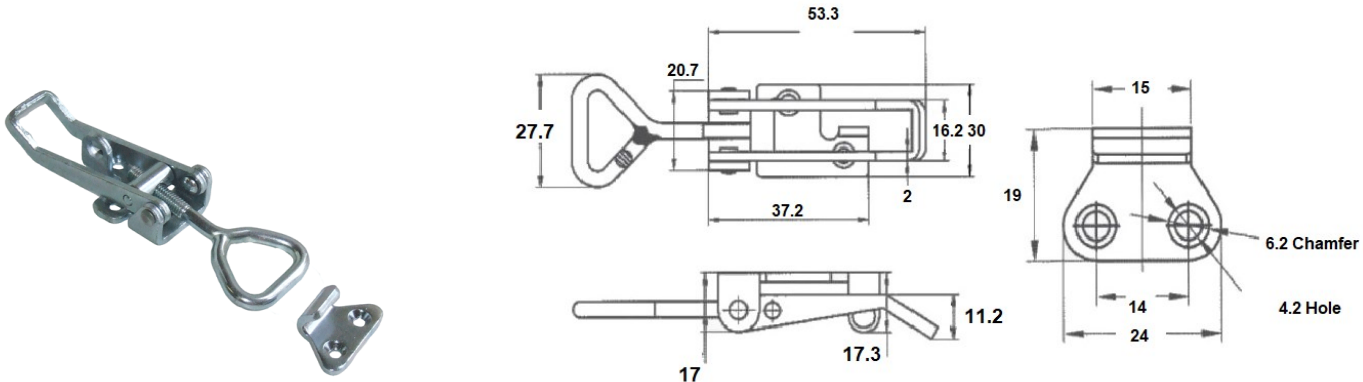
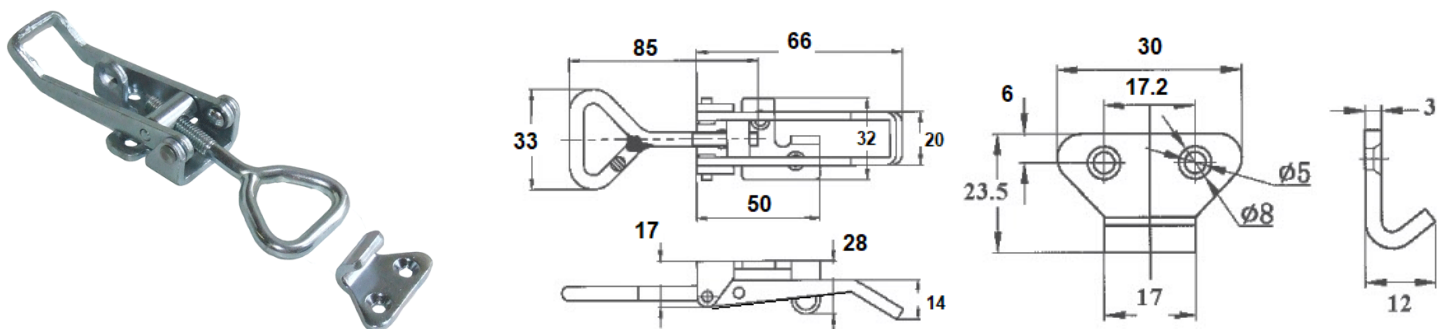


Over-Centre Fasteners " Small Lockable and non Lockable"



Part Number	Product Description	Material
92106	Small Over-Centre Fastener "Lockable"	Steel ZP
92106-1	Catch to suit Small Over-Centre Fastener	Steel ZP
92106-SS304	Small Over-Centre Fastener "Lockable"	304 SS
92106-1SS304	Catch to suit Small Over-Centre Fastener	304 SS
92106-SS	Small Over-Centre Fastener "Lockable"	316 SS
92106-1SS	Catch to suit Small Over-Centre Fastener	316 SS
92107	Small Over-Centre Fastener "non locking"	Steel ZP
92107-1	Catch to suit 92107 Over Centre Fastener	Steel ZP
92107-SS	Small Over-Centre Fastener "non locking"	316 SS
92107-1SS	Catch to suit 92107-SS Over-Centre Fastener	316 SS
92107-SS304	Small Over Centre Fastener "non locking"	304 SS
92107-1SS304	Catch to suit 92107-SS Over—Centre Fastener	304 SS

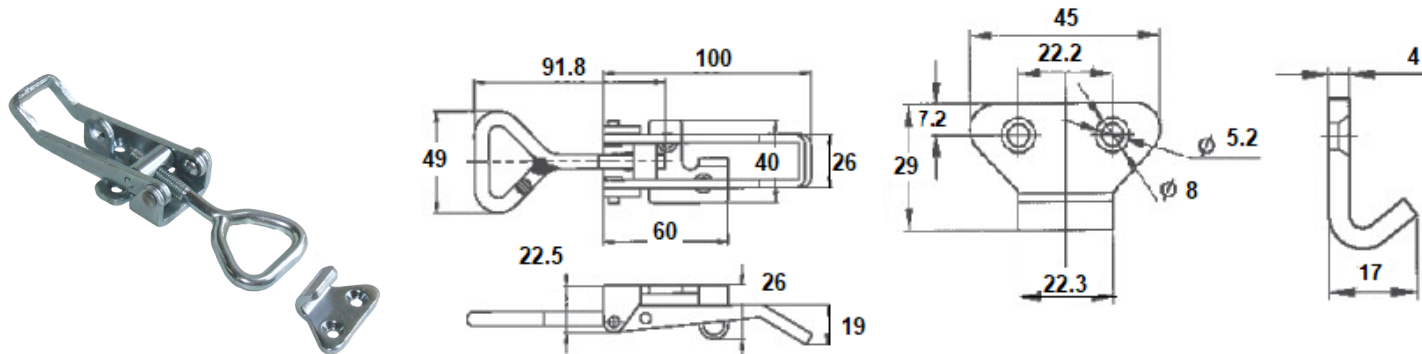
Over-Centre Fasteners " Medium Lockable "



Part Number	Product Description	Material
92105	Medium Over-Centre Fastener "Lockable"	Steel ZP
92105-1	Catch to suit Medium Over-Centre Fastener	Steel ZP
92105-SS	Medium Over-Centre Fastener "Lockable"	316 SS
92105-1SS	Catch to suit medium Over-Centre Fastener	316 SS
92105-SS304	Medium Over-Centre Fastener "Lockable"	304 SS
92105-1SS304	Catch to suit Medium Over-Centre Fastener	304 SS

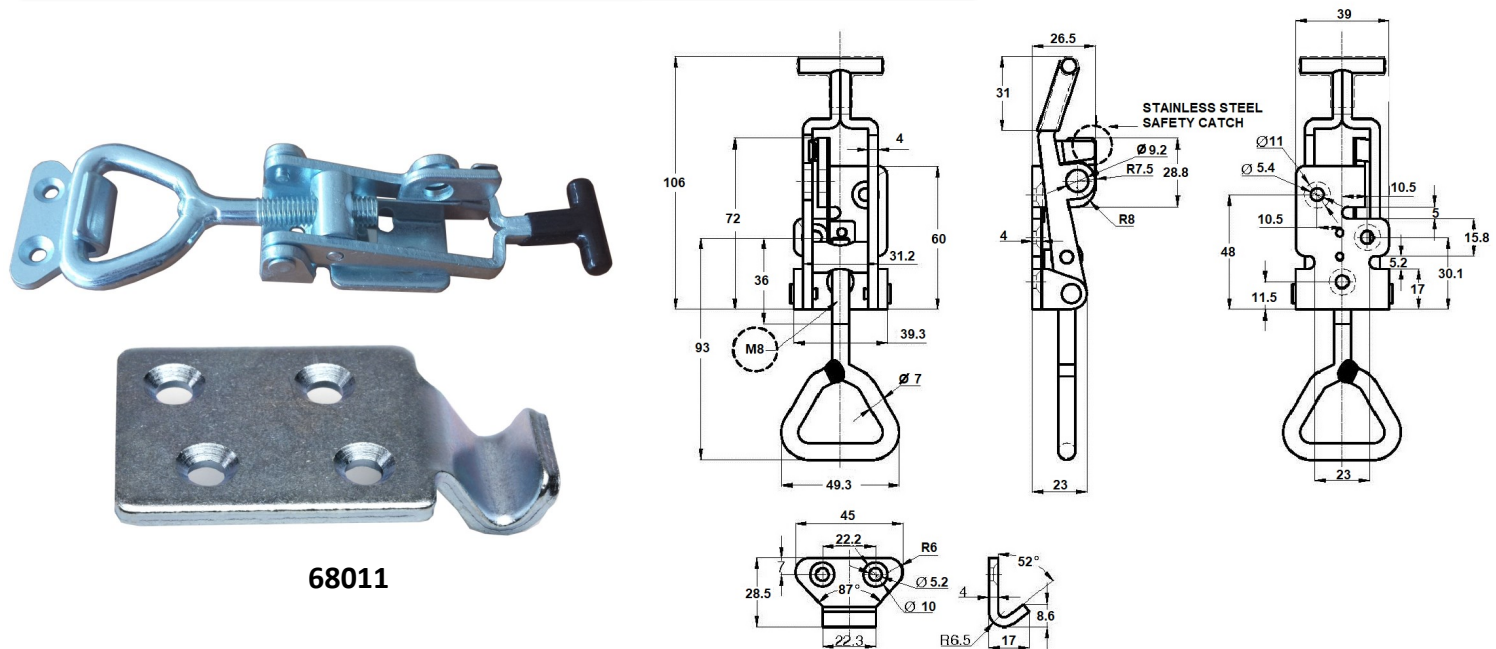
Note: Products in this catalogue are subject to availability

Over-Centre Fasteners “Large Lockable”



Part Number	Product Description	Material
92104	Large Over-Centre Fastener “Lockable”	Steel ZP
92104-1	Catch to suit Large Over-Centre Fastener	Steel ZP
92104-SS	Large Over-Centre Fastener “Lockable”	316 SS
92104-1SS	Catch to suit Large Over-Centre Fastener	316 SS
92104-SS304	Large Over-Centre Fastener “Lockable”	304 SS
92104-1SS304	Catch to suit Large Over-Centre Fastener	304 SS

Release Button Over-Centre Fasteners & Brackets



68011

Part Number	Product Description	Material
HB042-12 (M8)	Lockable Over-Centre Fastener with release button & plastic grip with M8 hook & S/S safety catch	Steel ZP
HB042-12(M10)	Lockable Over-Centre Fastener with release button & plastic grip with M10 hook & S/S safety catch	Steel ZP
68011	Catch 180 deg to suit Large Over- Centre Fastener	Steel ZP

Note: HB042-12(M8) and HB042-12(M10) have a Load applied of 9KN

Note: Products in this catalogue are subject to availability



Head Office: Concept Fasteners VIC
 9 Flight Drive, Tullamarine 3043, Victoria
 Tel: (03) 9338 6633 Fax: (03) 9338 6433
 : sales@conceptfasteners.com.au

Head Office: Concept Fasteners NSW
 5 Liverpool St, Ingleburn 2565, NSW
 Tel: (02) 9774 4416
 : salesnsw@conceptfasteners.com.au

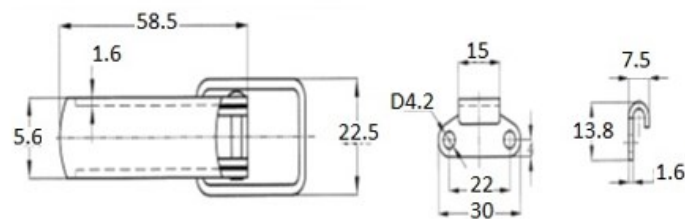
Head Office: Concept Fasteners QLD
 Brisbane Branch Coming Soon!
 : qldsales@conceptfasteners.com.au

GK-5021 Horse Float latch Zinc Plated

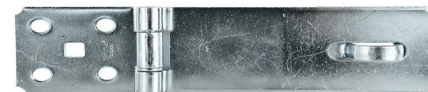
Part Number
GK-5021

Product Description
horse Float Latch and catch

Material
Cast and Zinc Plated

Stainless Steel Over-Centre Latch

Part number : 65338SS

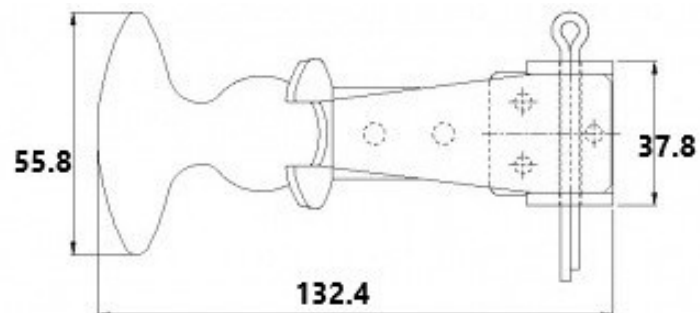
Hasp & Staple

Part Number
86053
86145

Product Description
Heavy Duty Hasp & staple 115mm
Heavy Duty Hasp & Staple 200mm

Material
Galvanized Steel
Steel ZP

Note: Other size & Material options available upon request

Rubber Bonnet Catch

Part Number
9027

Product Description
Rubber Strap with Pin and Base

Material
Rubber & Steel ZP

Note: Products in this catalogue are subject to availability



Head Office: Concept Fasteners VIC
9 Flight Drive, Tullamarine 3043, Victoria
Tel: (03) 9338 6633 Fax: (03) 9338 6433
: sales@conceptfasteners.com.au

Head Office: Concept Fasteners NSW
5 Liverpool St, Ingleburn 2565, NSW
Tel: (02) 9774 4416
: salesnsw@conceptfasteners.com.au

Head Office: Concept Fasteners QLD
Brisbane Branch Coming Soon!
: qldsales@conceptfasteners.com.au