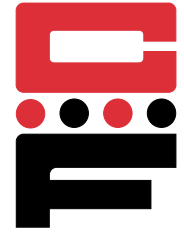


# Self Clinching Standoffs For Thin Sheet Material



## Series CFT, CFTS & CFTA

CFT standoffs allow flush-head installation in a material thickness of .025in.(.63mm) or more

Series	Material	Finish
CFT	Heat-treated Carbon Steel	Zinc* Clear
CFTS	300 Series Stainless Steel	Passivated ASTM A967
CFTA	7075-T6 Aluminum	None

\*See Finish Spec on Page 6.

Thread: Internal 2B, ANSI B1.1

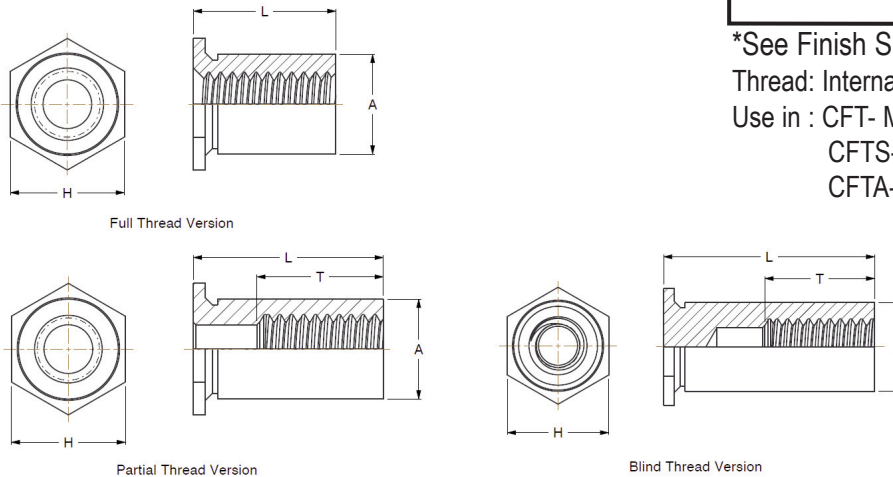
Use in : CFT- Material with HR of B-60 or less

CFTS- Material with HR of B-70 or less

CFTA- Material with HR of B-50 or less

Part Number Structure:

CFT 440-.090



### Dimensions & Specifications

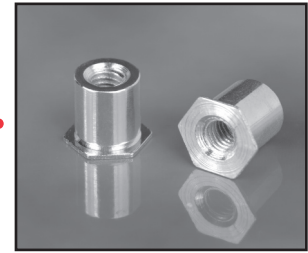
INCH (in.)	Thread Size	Part Number	L Length $\pm$ .003 in.											+.003 -.000	A +.000 -.005	H Nom.	T Min.	Min.	Min.	
			0.09	0.125	0.187	0.25	0.312	0.375	0.437	0.5	0.562	0.625	0.687							0.75
#2-56	CFT	256	-0.09	-0.125	-0.187	-0.25	-0.312	-0.375	-0.437	-0.5	-0.562	-0.625	-0.687	-0.75	0.166	0.165	0.187	0.2	0.23	0.025
	CFTS	256	-0.09	-0.125	-0.187	-0.25	-0.312	-0.375	-0.437	-0.5	-0.562	-0.625	-0.687	-0.75						
	CFTA	256	-0.09	-0.125	-0.187	-0.25	-0.312	-0.375	-0.437	-0.5	-0.562	-0.625	-0.687	-0.75						
	CFT	6256	-0.09	-0.125	-0.187	-0.25	-0.312	-0.375	-0.437	-0.5	-0.562	-0.625	-0.687	-0.75	0.213	0.212	0.25	0.27	0.025	
	CFTS	6256	-0.09	-0.125	-0.187	-0.25	-0.312	-0.375	-0.437	-0.5	-0.562	-0.625	-0.687	-0.75						
	CFTA	6256	-0.09	-0.125	-0.187	-0.25	-0.312	-0.375	-0.437	-0.5	-0.562	-0.625	-0.687	-0.75						
#4-40	CFT	440	-0.09	-0.125	-0.187	-0.25	-0.312	-0.375	-0.437	-0.5	-0.562	-0.625	-0.687	-0.75	0.166	0.165	0.187	0.22	0.23	0.025
	CFTS	440	-0.09	-0.125	-0.187	-0.25	-0.312	-0.375	-0.437	-0.5	-0.562	-0.625	-0.687	-0.75						
	CFTA	440	-0.09	-0.125	-0.187	-0.25	-0.312	-0.375	-0.437	-0.5	-0.562	-0.625	-0.687	-0.75						
	CFT	6440	-0.09	-0.125	-0.187	-0.25	-0.312	-0.375	-0.437	-0.5	-0.562	-0.625	-0.687	-0.75	0.213	0.212	0.25	0.27	0.025	
	CFTS	6440	-0.09	-0.125	-0.187	-0.25	-0.312	-0.375	-0.437	-0.5	-0.562	-0.625	-0.687	-0.75						
	CFTA	6440	-0.09	-0.125	-0.187	-0.25	-0.312	-0.375	-0.437	-0.5	-0.562	-0.625	-0.687	-0.75						
#6-32	CFT	632		-0.125	-0.187	-0.25	-0.312	-0.375	-0.437	-0.5	-0.562	-0.625	-0.687	-0.75	0.213	0.212	0.25	0.27	0.27	0.025
	CFTS	632		-0.125	-0.187	-0.25	-0.312	-0.375	-0.437	-0.5	-0.562	-0.625	-0.687	-0.75						
	CFTA	632		-0.125	-0.187	-0.25	-0.312	-0.375	-0.437	-0.5	-0.562	-0.625	-0.687	-0.75						
Version			Full Thread				Partial Thread			Blind Thread				Note: Items may be subject to minimum order						

Continued on next page.



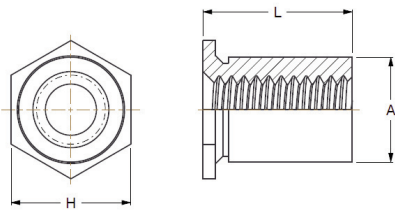
# Self-Clinching Standoffs For Thin Sheet Material

## Series CFT, CFTS & CFTA

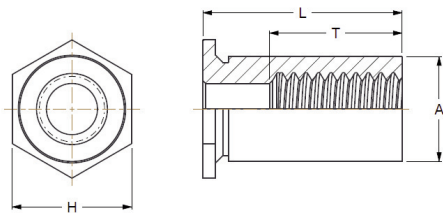


Continued from previous page.

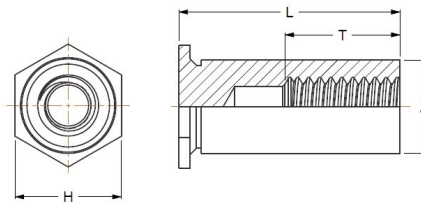
CFT standoffs allow flush-head installation in a material thickness of .025in.(.63mm) or more



Full Thread Version



Partial Thread Version



Blind Thread Version

Series	Material	Finish
CFT	Heat-treated Carbon Steel	Zinc* Clear
CFTS	300 Series Stainless Steel	Passivated ASTM A967
CFTA	7075-T6 Aluminum	None

\*See Finish Spec on Page 6.

Thread: Internal 2B, ANSI B1.1

Use in : CFT- Material with HR of B-60 or less

CFTS- Material with HR of B-70 or less

CFTA- Material with HR of B-50 or less

Part Number Structure:

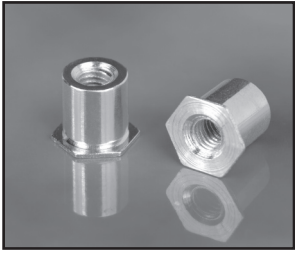
CFT M2.5- 200



### Dimensions & Specifications

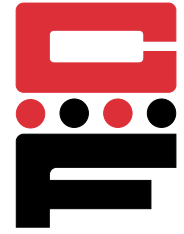
METRIC (mm.)	Thread Size	Part Number	L Length $\pm 0.08$ mm.										+08 -000	A +000 -.13	H Nom.	T Min.	Min.	Min.	
			2.00	3.00	4.00	6.00	8.00	10.00	12.00	14.00	16.00	18.00							19.00
M2.5x0.45	CFT	M2.5	-200	-300	-400	-600	-800	-1000	-1200	-1400	-1600	-1800	-1900	4.22	4.2	4.8	5.2	5.8	0.63
	CFTS	M2.5	-200	-300	-400	-600	-800	-1000	-1200	-1400	-1600	-1800	-1900						
	CFTA	M2.5	-200	-300	-400	-600	-800	-1000	-1200	-1400	-1600	-1800	-1900						
	CFT	6M2.5	-200	-300	-400	-600	-800	-1000	-1200	-1400	-1600	-1800	-1900	5.41	5.39	6.4	7.1	0.63	
	CFTS	6M2.5	-200	-300	-400	-600	-800	-1000	-1200	-1400	-1600	-1800	-1900						
	CFTA	6M2.5	-200	-300	-400	-600	-800	-1000	-1200	-1400	-1600	-1800	-1900						
M3x0.5	CFT	M3	-200	-300	-400	-600	-800	-1000	-1200	-1400	-1600	-1800	-1900	4.22	4.2	4.8	6.2	5.8	0.63
	CFTS	M3	-200	-300	-400	-600	-800	-1000	-1200	-1400	-1600	-1800	-1900						
	CFTA	M3	-200	-300	-400	-600	-800	-1000	-1200	-1400	-1600	-1800	-1900						
	CFT	6M3	-200	-300	-400	-600	-800	-1000	-1200	-1400	-1600	-1800	-1900	5.41	5.39	6.4	7.1	0.63	
	CFTS	6M3	-200	-300	-400	-600	-800	-1000	-1200	-1400	-1600	-1800	-1900						
	CFTA	6M3	-200	-300	-400	-600	-800	-1000	-1200	-1400	-1600	-1800	-1900						
M3.5x0.6	CFT	M3.5		-300	-400	-600	-800	-1000	-1200	-1400	-1600	-1800	-1900	5.41	5.39	6.4	7	7.1	0.63
	CFTS	M3.5		-300	-400	-600	-800	-1000	-1200	-1400	-1600	-1800	-1900						
	CFTA	M3.5		-300	-400	-600	-800	-1000	-1200	-1400	-1600	-1800	-1900						
Version			Full Thread				Partial Thread			Blind Thread			Note: Items may be subject to minimum order						

Continued on next page.



# Self-Clinching Standoffs For Thin Sheet Material

## Series CFT, CFTS & CFTA



Continued from previous

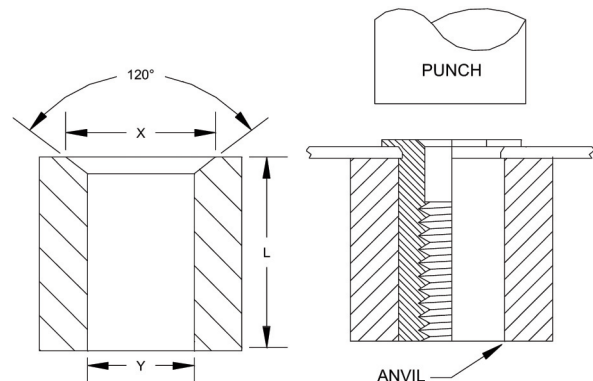
### Installation & Performance Data

A Dim.	Series	Sheet Material											
		.025 in. (.64mm) 5052-H-34 Aluminum						.025 in. (.64mm) Cold-Rolled Steel					
		Installation		Pushout		Torque-out		Installation		Pushout		Torque-out	
		lbs.	kN	lbs.	N	in-lbs.	N•m	lbs.	kN	lbs.	N	in-lbs.	N•m
.165 in. (4.2 mm)	CFT	1500	6.7	70	311	6	0.68	2000	8.9	100	445	9	1
	CFTS							-	-	-	-	-	-
	CFTA							-	-	-	-	-	-
.212 in. (5.39mm)	CFT	1800	8	90	400	11	1.24	2500	11.1	150	667	15	1.7
	CFTS							-	-	-	-	-	-
	CFTA							-	-	-	-	-	-

The installation and performance data listed are nominal when all specifications are adhered to. Changes in sheet hardness and mounting hole tolerance will affect performance. Therefore, we recommend testing the product in your application to determine actual results. Samples are available upon request.

### Installation

1. Prepare the required size hole in the base material by punching or drilling. Do not deburr hole.
2. Place standoff through hole in material and into installation anvil and squeeze into place using a shop press with flat punch
3. Apply a sufficient force to seat the hex head flush into the base material.
4. Use chamfered anvil shown for sheet thickness of .025 to .032 in. (.63 to .81 mm) for sheets over .032 (.81 mm) The special anvil is not required.



Standoff A Dimension	Anvil Dimensions			
	Y		X	
	Inches	mm	Inches	mm
.165 in./4.2mm	.167 - .170	4.24 - 4.32	.187 - .194	4.75 - 4.93
.212 in./5.39mm	.213 - .216	5.41 - 5.49	.250 - .257	6.35 - 6.53