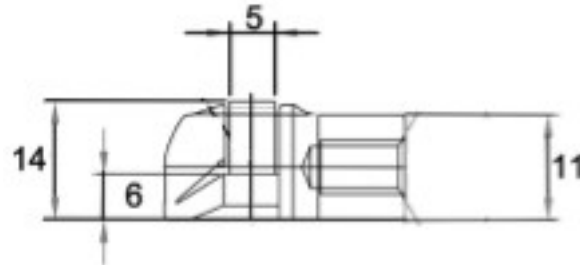


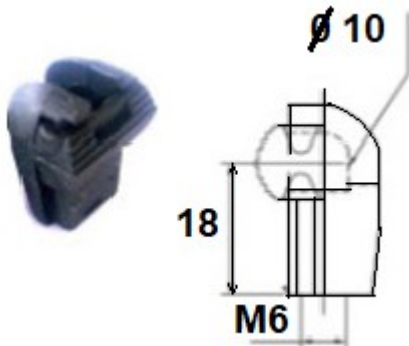
## Gas Strut Plastic Ball Cups

Available with Stainless steel Clip

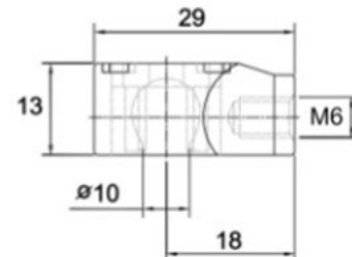


Part Number	Product Description	Material
10965A	Round Ball Cup suit 10mm Ball Stud and M6 brass Thread	Black Plastic
10972A	Round Ball Cup suit 10mm Ball Stud and M6 brass Thread and Stainless steel clip	Black Plastic

## Quick release Plastic cup ends



**SFBCP10-18SM6**

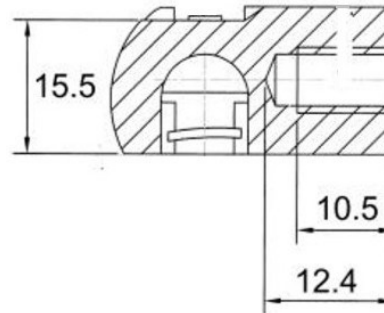


**SFBCP10-18RM6**

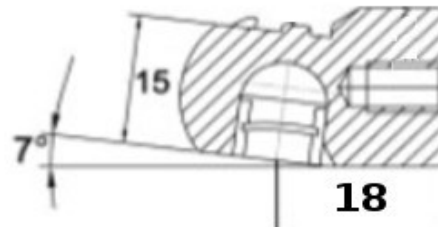
Part Number	Product Description	Material
10965A	Round Ball Cup suit 10mm Ball Stud and M6 brass Thread	Black Plastic
10972A	Round Ball Cup suit 10mm Ball Stud and M6 brass Thread and Stainless steel clip	Black Plastic
SFBCP10-18SM6	Ball Cup to suit 10mm Ball Stud and M6 Thread	Black Plastic
SFBCP10-18RM6	Ball Cup to suit 10mm Ball Stud with M6 Thread	Black Plastic

*Note: Products in this catalogue are subject to availability*

## Gas Strut Plastic Ball Cups



Part Number	Product Description	Material
10956A	Ball Cup to suit 10mm Ball Stud and M8 Thread suit 615 & 8-18 & brass insert	Black Plastic
10972A	Ball Cup to suit 10mm Ball Stud and M8 Thread suit 615 & 8-18 & stainless clip & brass insert	Black Plastic
SFBCP08-18BM8	Ball Cup to suit 8mm Ball Stud and M6 Thread	Black Plastic
SFBCP10-18BM6	Ball Cup to suit 10mm Ball Stud and M6 Thread	Black Plastic
SFBCP10-18BM8	Ball Cup to suit 10mm Ball Stud and M8 Thread	Black Plastic



Part Number	Product Description	Material
SFBCP10-18AM6	Angled Ball Cup to suit 10mm Ball Stud and M6 Thread Brass insert	Black Plastic
SFBCP10-18AM8	Angled Ball Cup to suit 10mm Ball Stud and M8 Thread	Black Plastic



Part Number	Product Description	Material
109B3A	M6 Thread Angled Ball Cup to suit 10mm Ball Stud	Black Plastic
TBA not stocked	M6 Thread Angled Ball Cup to suit 10mm Ball Stud	Grey Plastic

**Note: Products in this catalogue are subject to availability**



**Head Office: Concept Fasteners VIC**  
 9 Flight Drive, Tullamarine 3043, Victoria  
 Tel: (03) 9338 6633 Fax: (03) 9338 6433  
 : sales@conceptfasteners.com.au

**Head Office: Concept Fasteners NSW**  
 5 Liverpool St, Ingleburn 2565, NSW  
 Tel: (02) 9774 4416  
 : salesnsw@conceptfasteners.com.au

**Head Office: Concept Fasteners QLD**  
 Brisbane Branch Coming Soon!  
 : qldsales@conceptfasteners.com.au