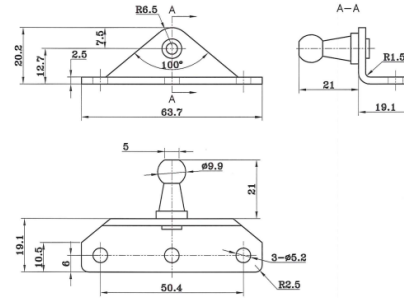


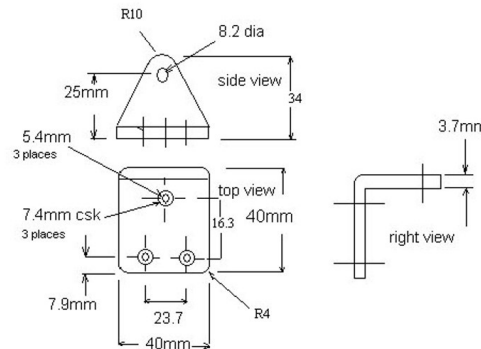
Right Angle Gas Strut Brackets

STRUTFORCE GAS STRUTS

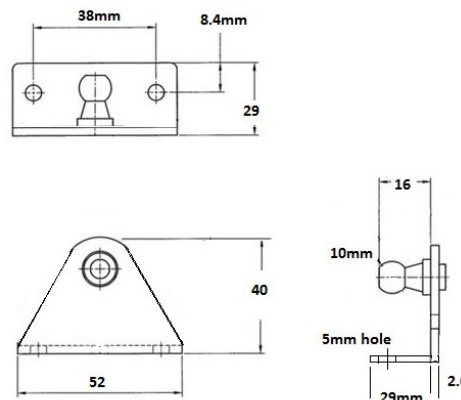
91047 - Bracket to suit 10mm Ball cup. Zinc Plated



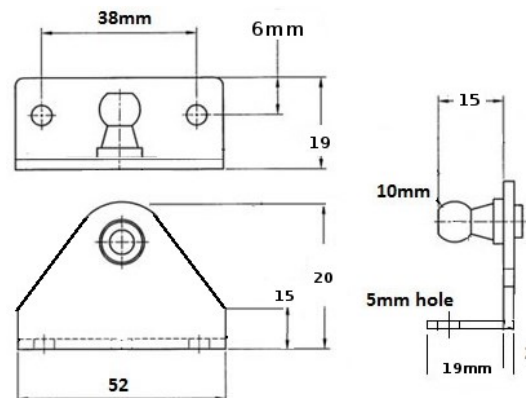
BKT-001 - Bracket to suit M8 Ball Studs with 10mm or 13mm ends. Zinc Plated



BK15B - Bracket with 10mm Internal Ball Stud. Black Steel



SF1102B - Bracket with 10mm Internal Ball Stud and thin base. Black Steel



Note: Products in this catalogue are subject to availability



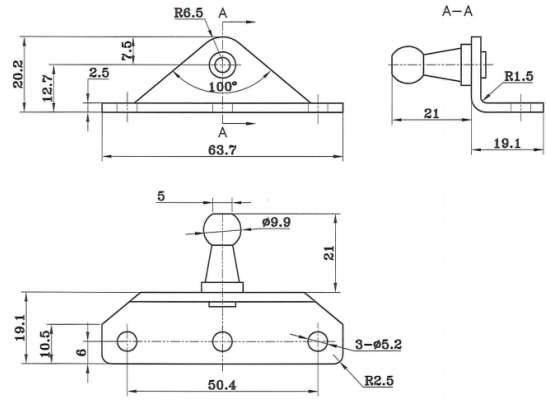
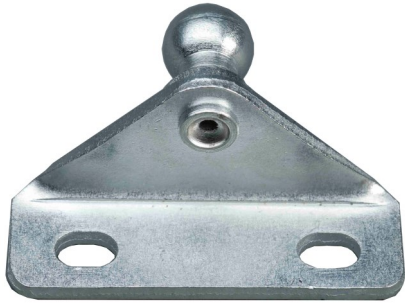
Head Office: Concept Fasteners VIC
 9 Flight Drive, Tullamarine 3043, Victoria
 Tel: (03) 9338 6633 Fax: (03) 9338 6433
 : sales@conceptfasteners.com.au

Head Office: Concept Fasteners NSW
 5 Liverpool St, Ingleburn 2565, NSW
 Tel: (02) 9774 4416
 : salesnsw@conceptfasteners.com.au

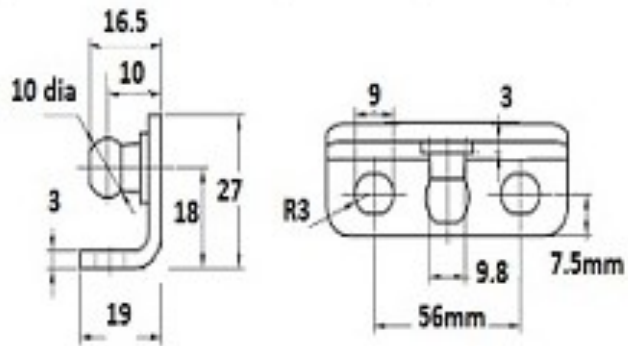
Head Office: Concept Fasteners QLD
 Brisbane Branch Coming Soon!
 : qldsales@conceptfasteners.com.au

Right Angle Gas Strut Brackets

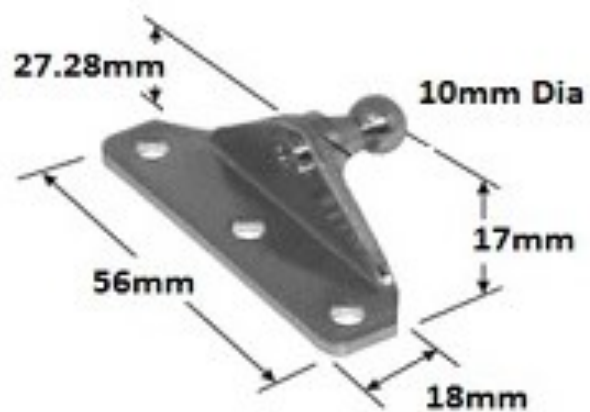
SF1E02 - Bracket with 10mm External Ball Stud and thin base. Zinc Plated



SF1100S - Bracket with 10mm Internal Ball Stud. Stainless Steel



SF1E00S - Bracket with 10mm External Ball Stud. Stainless Steel



Note: Products in this catalogue are subject to availability