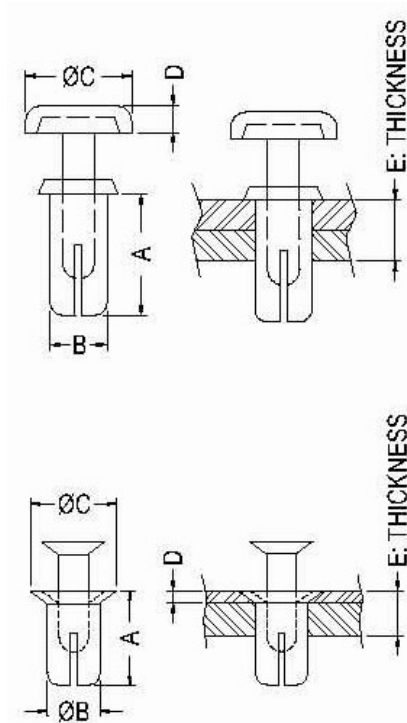


Snap Rivets

Material: Nylon 66 (UL)
Flame Class: 94V-2
Colour: Black / White
Unit: mm



| Part Number | A | B | C | D | E | Mounting Holes | Package | | |
|-------------|------|-----|------|---------|----------|----------------|-----------|-----|----------|
| SR4-4.6 | 4.6 | 4.0 | 7.8 | 1.9 | 2.5-3.5 | 4.0-4.1 | 1000 | | |
| SR4-5 | 5.0 | | 7.8 | 1.9 | 2.5-3.5 | 4.0 | | | |
| SR4-5.5F | 5.5 | | 5.8 | 0.7 | 3.0-4.0 | | | | |
| SR4-6 | 6.1 | | 7.8 | 1.9 | 3.5-4.5 | | | | |
| SR4-6F | | | 7.5 | 1.1 | 3.0-4.0 | | | | |
| SR4-7 | 7.1 | | 8.0 | 2.0 | 4.5-5.5 | | | | |
| SR4-7F | 7.2 | | 7.5 | 1.1 | 3.5-5.0 | | | | |
| SR4-7FS | 7.0 | | 6.4 | 0.8 | 3.5-5.0 | | | | |
| SR4-8 | 8.1 | | 8.0 | 2.0 | 5.5-6.5 | | | | |
| SR4-8F | 8.2 | | 7.5 | 1.1 | | | | | |
| SR4-9 | 9.0 | | 8.0 | 2.0 | 6.35-7.5 | | | | |
| SR4-10 | 10.0 | | 8.0 | 2.0 | 7.5-8.5 | | | | |
| SR4-10F | 10.0 | | | | 6.8 | | | 1.5 | |
| SR4-12 | 12.0 | | | | 8.0 | | | 2.0 | 9.5-10.5 |
| SR4-13F | 14.5 | 6.4 | | | 1.0 | | 10.0-11.0 | | |
| SR4-14 | 13.7 | 8.0 | | | 2.0 | 11.0-12.0 | | | |
| SR4-15 | 15.3 | | | | | 11.5-13.0 | | | |
| SR4-20 | 20.0 | | | | | 15.0-17.0 | | | |
| SR4-25 | 24.5 | | | | | 22.0-23.0 | | | |
| SR5-4.5 | 4.6 | 5.0 | | | 8.9 | 2.2 | 1.5-2.5 | 5.0 | 1000 |
| SR5-4.5F | 7.0 | | | | 8.5 | 2.5 | | | |
| SR5-5.5 | 5.5 | | 8.9 | 2.2 | 2.5-3.5 | | | | |
| SR5-6.5 | 6.5 | | | | 3.5-4.5 | | | | |
| SR5-7.5 | 7.5 | | | | 4.5-5.5 | | | | |
| SR5-8.5 | 8.4 | | | | 5.5-6.5 | | | | |
| SR6-6 | 6.0 | 6.0 | 12.0 | 2.5 | 2.5-4.0 | 6.0 | | | |
| SR6-8 | 8.0 | | 3.0 | 4.5-6.0 | | | | | |

Note: Products in this catalogue are subject to availability



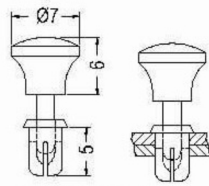
Head Office: Concept Fasteners VIC
 9 Flight Drive, Tullamarine 3043, Victoria
 Tel: (03) 9338 6633 Fax: (03) 9338 6433
 : sales@conceptfasteners.com.au

Concept Fasteners NSW
 5 Liverpool St, Ingleburn 2565, NSW
 Tel: (02) 9774 4416
 : salesnsw@conceptfasteners.com.au

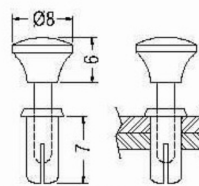
Concept Fasteners QLD
 Brisbane Branch Coming Soon!
 : qldsales@conceptfasteners.com.au

Snap Rivets

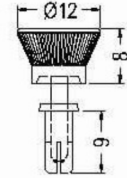
Material: Nylon 66 (UL)
Flame Class: 94V-2
Colour: Black
Unit: mm



CHASSIS Ø3.5
THICKNESS 2.5~3.5



CHASSIS Ø4.1
THICKNESS 4.5~5.5



CHASSIS Ø4.1~Ø4.2
THICKNESS 6.5~7.5

| Part Number | Package |
|-------------|---------|
| SRS3.5-5P | 1000 |

| Part Number | Package |
|-------------|---------|
| SRS4-7P | 1000 |

| Part Number | Package |
|-------------|---------|
| SRS4-9K | 1000 |

Note: Products in this catalogue are subject to availability



Head Office: Concept Fasteners VIC
 9 Flight Drive, Tullamarine 3043, Victoria
 Tel: (03) 9338 6633 Fax: (03) 9338 6433
 ✉ : sales@conceptfasteners.com.au

Head Office: Concept Fasteners NSW
 5 Liverpool St, Ingleburn 2565, NSW
 Tel: (02) 9774 4416
 ✉ : salesnsw@conceptfasteners.com.au

Head Office: Concept Fasteners QLD
 Brisbane Branch Coming Soon!
 ✉ : qldsales@conceptfasteners.com.au