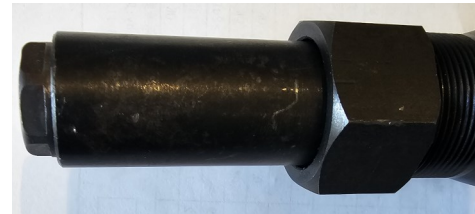
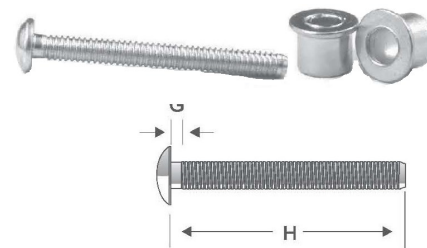


Hydro-pneumatic Tool for structural pins & collar assembly**FHU 05**

Structural rivets / Lock-bolt tools / Accessories  
for light & medium duty jobs



Nose Piece to Suit	
MG06-713-20	MAXIGRIP 3/16" Nosepiece ASSEMBLY
MG08-713-20	MAXIGRIP 1/4" NOSE ASSEMBLY

**SUITABLE FOR COMMERCIAL APPLICATIONS**

Tool for installing lockbolts (pin&collar) and structural products, to be equipped with specific heads.

**MAIN APPLICATIONS NOW TESTED**

- Truck & trailers
- Airport facility maintenance for Baggage porters
- Air Conditioning & Heating Systems
- Defence like Shelters

*Note: Products in this catalogue are subject to availability*



**Head Office: Concept Fasteners VIC**  
9 Flight Drive, Tullamarine 3043, Victoria  
Tel: (03) 9338 6633 Fax: (03) 9338 6433  
✉ : sales@conceptfasteners.com.au

**Concept Fasteners NSW**  
5 Liverpool St, Ingleburn 2565, NSW  
Tel: (02) 9774 4416  
✉ : salesnsw@conceptfasteners.com.au

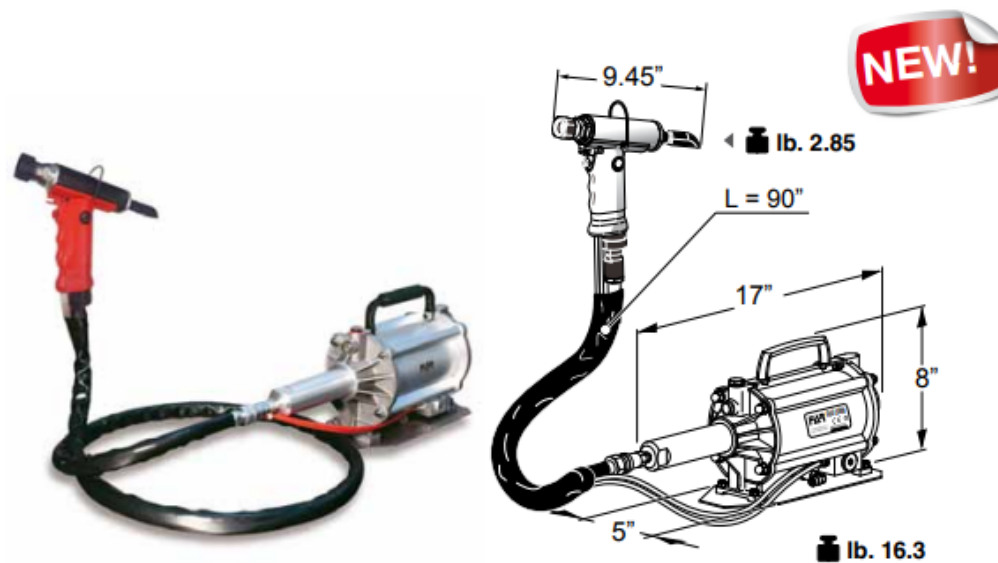
**Concept Fasteners QLD**  
Brisbane Branch Coming Soon!  
✉ : qldsales@conceptfasteners.com.au

## Hydro-Pneumatic Tool for structural pins & collar assembly

# FHU 5000

### SUITABLE FOR ASSEMBLY LINES

The FHU 5.000 in fact is designed to be "operator friendly", light and effective with a wider grip-range. And several Dealers in other markets like the FHU design and usability very much. The satellite system with gun & booster can have immediate introduction into some KEY ACCOUNTS due to high volumes productions and improvements in the usability.



### MAIN TECHNICAL DATA

- Design philosophy : satellite system with 1 Gun + powerful Booster.
- Stroke power = over 21.060 Newton.
- Gun weight = 2.85 lb = 1.300 gr.
- Booster weight = 13.45 lb = 6.100 gr.
- Oil Hose: a thinner & lighter hose type is now being in use, flexible and operator friendly.
- A rubber cover protects air & oil hoses; it is extremely light and resistant.
- There is NO air sucking due to the different heads the FHU gun can mount.

	FHU 05	FHU 5000 (new)
<b>Weight</b>	TOOL = lb. 5,4 (tool) / gr. 2.430	GUN = lb. 2,85 / gr. 1.300 INTENSIFIER = lb. 16.3 / gr. 7.400
<b>Stroke power</b>	22.725 N	Over 21.060 N

*Note: Products in this catalogue are subject to availability*



Head Office: Concept Fasteners VIC  
9 Flight Drive, Tullamarine 3043, Victoria  
Tel: (03) 9338 6633 Fax: (03) 9338 6433  
: sales@conceptfasteners.com.au

Head Office: Concept Fasteners NSW  
5 Liverpool St, Ingleburn 2565, NSW  
Tel: (02) 9774 4416  
: salesnsw@conceptfasteners.com.au

Head Office: Concept Fasteners QLD  
Brisbane Branch Coming Soon!  
: qldsales@conceptfasteners.com.au