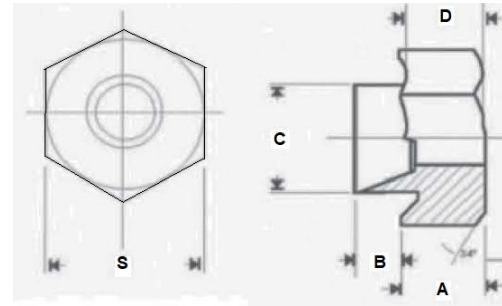
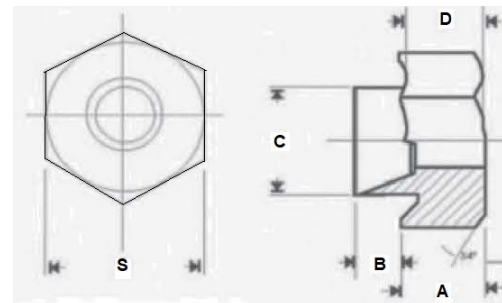


Metric Root Nuts - Steel Zinc Plated



Part Number	Size	Thickness Max	Hole Size	A	B	C	D	S
				+0 -0.3	+0 -0.2	+0 -0.1	Ref	Ref
CFZ-RNM3S	M3	1.6	5.0	2.4	2.0	5	2.4	7.0
CFZ-RNM4S	M4	1.6	6.0	3.2	2.4	6	3.2	8.0
CFZ-RNM5S	M5	1.6	8.0	4.0	2.4	8	4.0	10
CFZ-RNM6S	M6	2.0	10.0	5.0	2.8	10	5.0	13
CFZ-RNM8S	M8	2.0	12.0	6.5	3.4	12	6.5	17
CFZ-RNM10S	M10	2.5	14.0	8.0	4.0	14	8.0	18
CFZ-RNM12S	M12	2.5	18.0	10.0	4.4	18	10.0	24

Imperial Root Nuts - Steel Zinc Plated



Part Number	Size	Thickness Max	Hole Size	A	B	C	D	S
						+0 -.005	Ref	Ref
CFZ-RN4-40S	4-40 UNC	1.6	7/32	.105-.120	.080	.216	.140	.282
CFZ-RN5-32S	5/32 UNC	1.6	7/32	.130-.150	.080	.216	.150	.282
CFZ-RN6-32S	6/32 UNC	1.6	9/32	.130-.150	.085	.278	.150	.344
CFZ-RN3/16S	3/16-24 UNC	2.0	5/16	.142-.157	.085	.309	.150	.413
CFZ-RN1/4S	1/4 UNC	2.0	3/8	.185-.200	.110	.372	.220	.524
CFZ-RN5/16S	5/16-18 UNC	2.0	1/2	.222-.237	.135	.497	.25	.710
CFZ-RN3/8S	3/8-16 UNC	2.5	5/8	.357-.372	.160	.622	.310	

Note: Products in this catalogue are subject to availability



Head Office: Concept Fasteners VIC
 9 Flight Drive, Tullamarine 3043, Victoria
 Tel: (03) 9338 6633 Fax: (03) 9338 6433
 : sales@conceptfasteners.com.au

Concept Fasteners NSW
 5 Liverpool St, Ingleburn 2565, NSW
 Tel: (02) 9774 4416
 : salesnsw@conceptfasteners.com.au

Concept Fasteners QLD
 Brisbane Branch Coming Soon!
 : qldsales@conceptfasteners.com.au