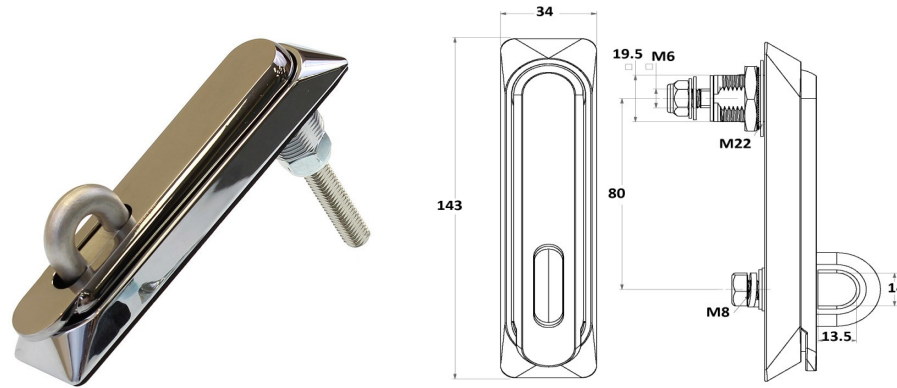
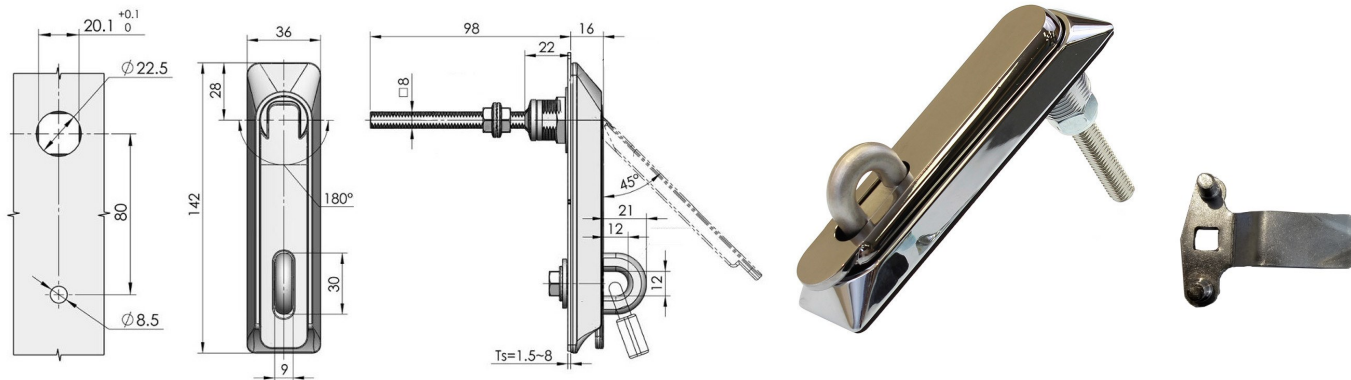


Swing Handles



F736

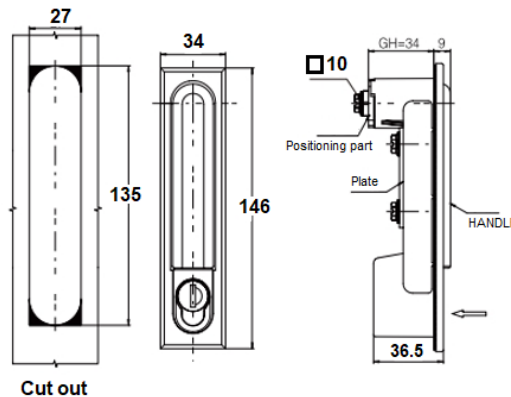


Cut Out

F737 & F737-316



F739



Cut out

Part Number

F736

F737

F737-316

F739

Product Description

Pad-lockable Swing Handle with Short Spindle

Pad-lockable Swing Handle with Long Spindle

Pad-lockable Swing Handle with Long Spindle and 3p Cam

Black Powdercoat 1/4 Turn Swing Handle Latch single cam

Material

Steel/Chrome plated

Steel/Chrome plated

316 SS

Die Cast/Powder coated

Note: Products in this catalogue are subject to availability

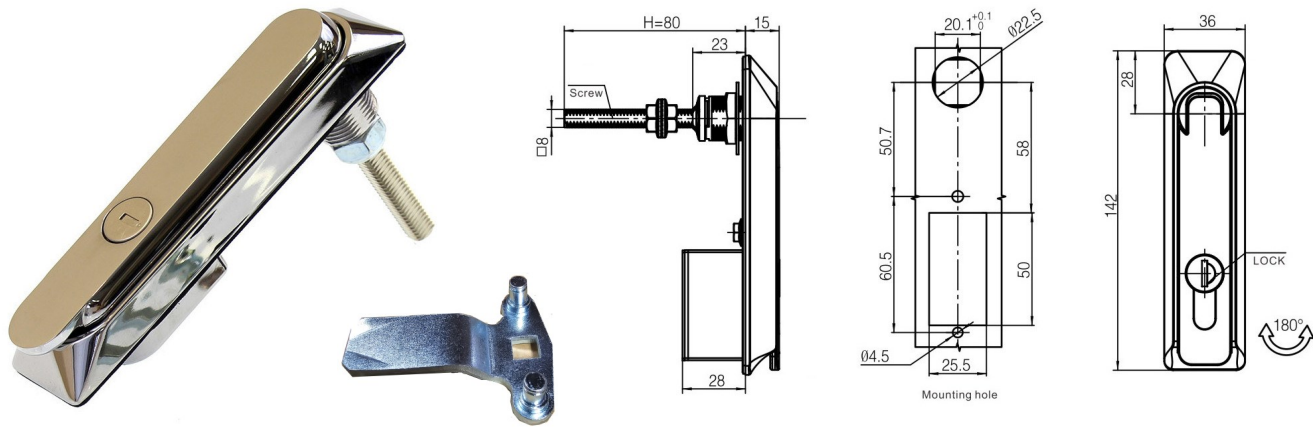


Head Office: Concept Fasteners VIC
 9 Flight Drive, Tullamarine 3043, Victoria
 Tel: (03) 9338 6633 Fax: (03) 9338 6433
 : sales@conceptfasteners.com.au

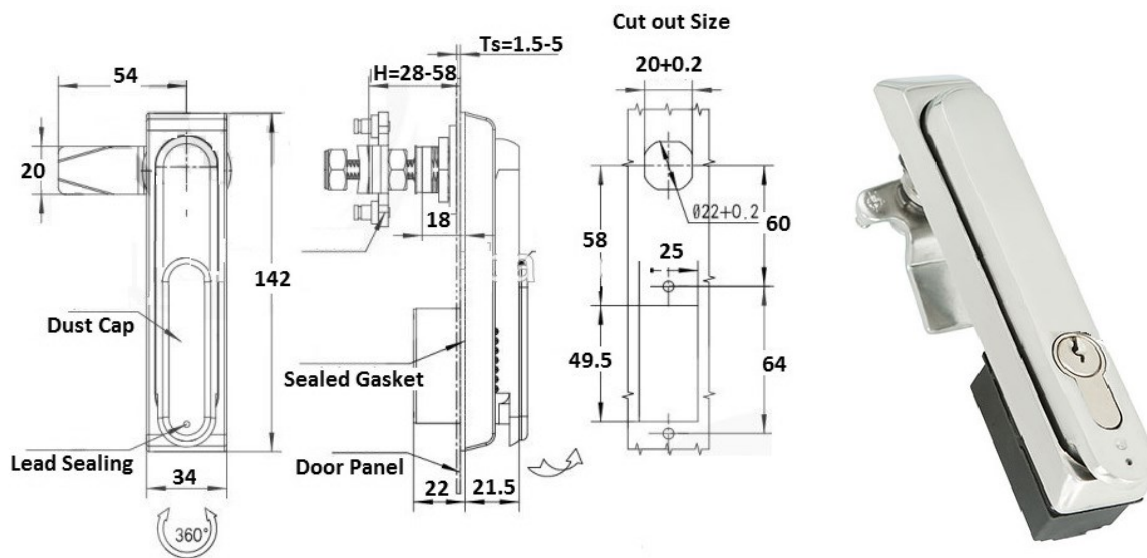
Concept Fasteners NSW
 5 Liverpool St, Ingleburn 2565, NSW
 Tel: (02) 9774 4416
 : salesnsw@conceptfasteners.com.au

Concept Fasteners QLD
 Brisbane Branch Coming Soon!
 : qldsales@conceptfasteners.com.au

Swing Handles



SH101



SH203

Part Number	Product Description	Material
SH101	Key lockable swing handle IP65 Rated , 3 Point Cam	Steel/Chrome
SH203	Key lockable swing handle IP65 Rated	304 SS

Note: Products in this catalogue are subject to availability



Head Office: Concept Fasteners VIC
 9 Flight Drive, Tullamarine 3043, Victoria
 Tel: (03) 9338 6633 Fax: (03) 9338 6433
 : sales@conceptfasteners.com.au

Head Office: Concept Fasteners NSW
 5 Liverpool St, Ingleburn 2565, NSW
 Tel: (02) 9774 4416
 : salesnsw@conceptfasteners.com.au

Head Office: Concept Fasteners QLD
 Brisbane Branch Coming Soon!
 : qldsales@conceptfasteners.com.au