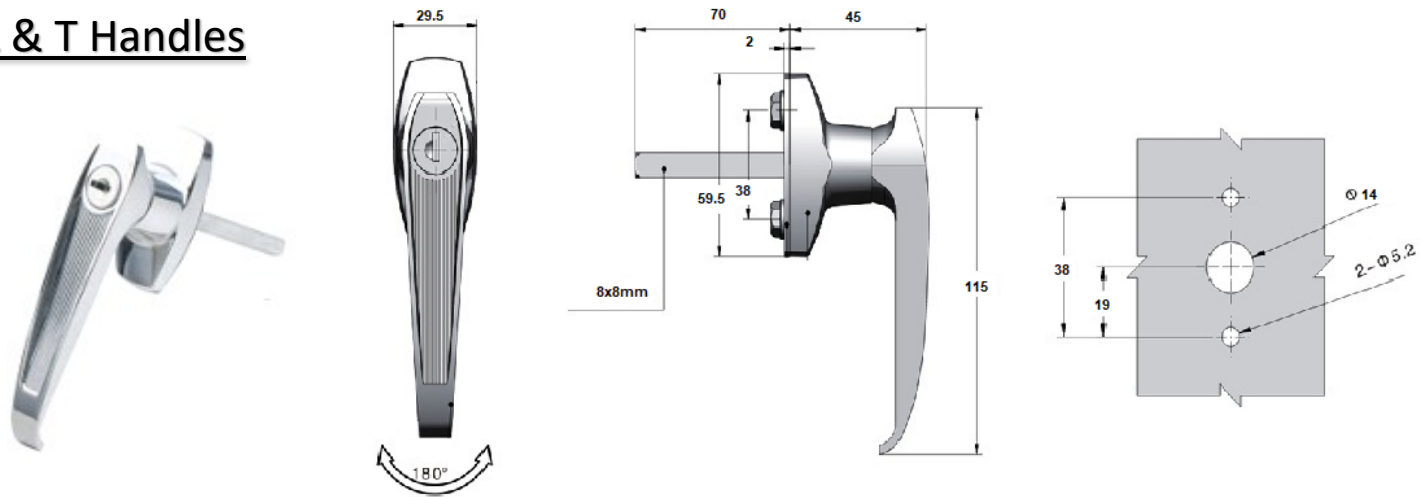
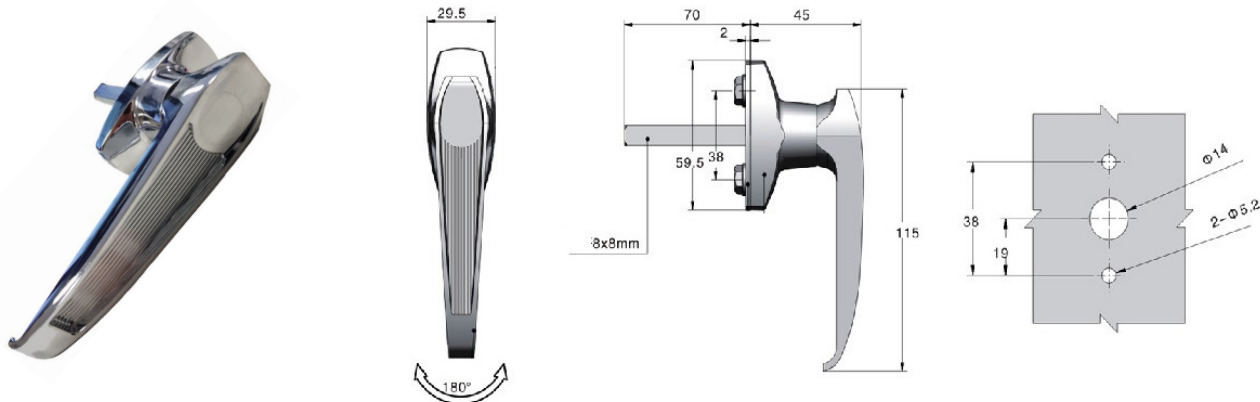


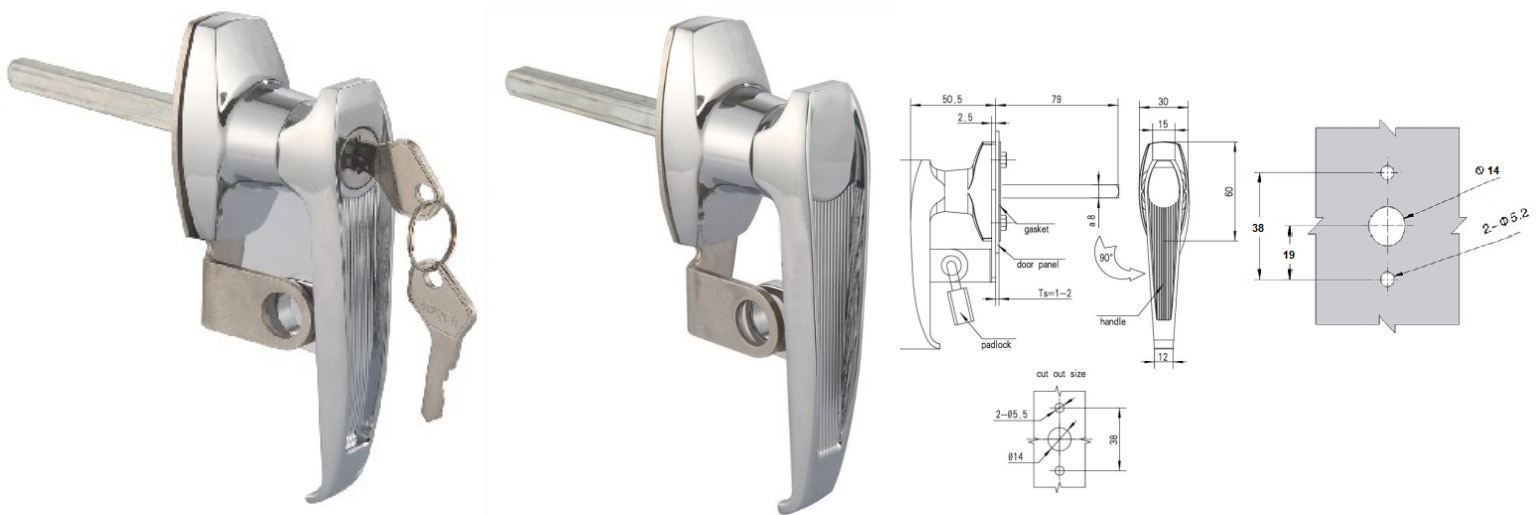
L & T Handles



MS315-A-1 180 degree with key, rear Fixing



MS315-A-2 180 degree without key, Rear fixing



MS315-C-1 180 degree with key and pad lockable, rear fixing

MS315-C-2 180 degree and pad lockable, rear fixing

Part Number

Product Description	Finish	Part Number
MS315-A-1	Rear Fixing L Handle key locking	Chrome Plated
MS315-A-2	Rear Fixing L Handle Keyless	Chrome Plated
MS315-C-1	Rear Fixing L Handle key locking with padlock bracket	Chrome Plated
MS315-C-2	Rear Fixing L Handle Pad lockable	Chrome Plated

Note: Products in this catalogue are subject to availability

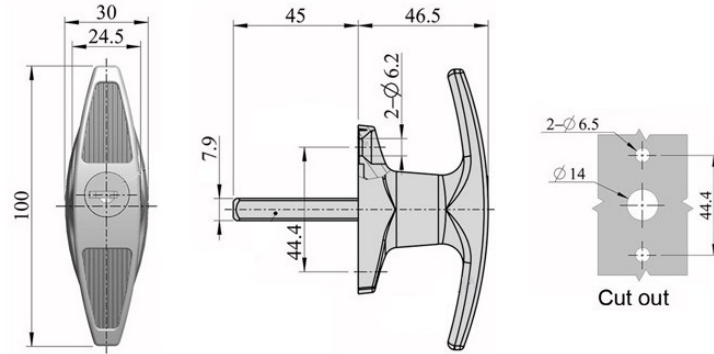


Head Office: Concept Fasteners VIC
 9 Flight Drive, Tullamarine 3043, Victoria
 Tel: (03) 9338 6633 Fax: (03) 9338 6433
 : sales@conceptfasteners.com.au

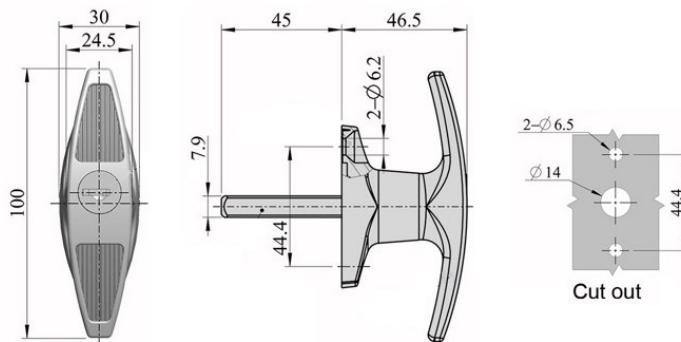
Head Office: Concept Fasteners NSW
 5 Liverpool St, Ingleburn 2565, NSW
 Tel: (02) 9774 4416
 : salesnsw@conceptfasteners.com.au

Head Office: Concept Fasteners QLD
 Brisbane Branch Coming Soon!
 : qldsales@conceptfasteners.com.au

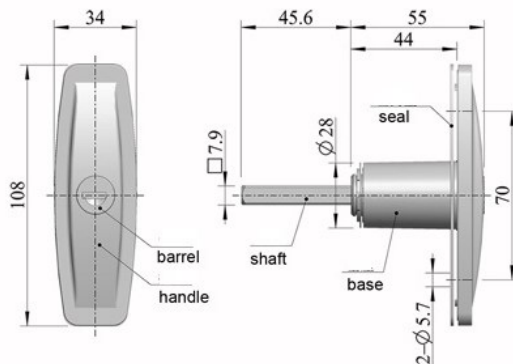
L & T Handles



MS316-A-1 180 degree Rear Fixing with key



MS316-A-2 180 degree Rear Fixing without key



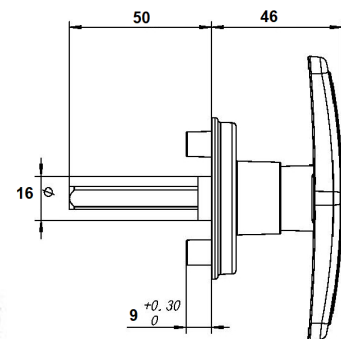
60026

Part Number

MS316-A-1
MS316-A-2
60026
GT-303

Product Description

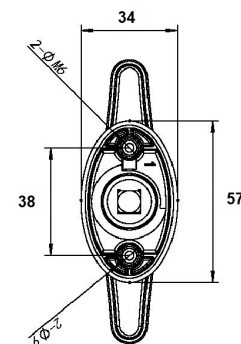
Rear Fixing T handle Key locking
Rear Fixing T handle without Key
Pop out T Lock
Key Locking Rear Fixing T handle



GT-303

Finish

Chrome Plated
Chrome Plated
Black Powdercoat
Black Powdercoat



Note: Products in this catalogue are subject to availability



Head Office: Concept Fasteners VIC
9 Flight Drive, Tullamarine 3043, Victoria
Tel: (03) 9338 6633 Fax: (03) 9338 6433
✉ : sales@conceptfasteners.com.au

Concept Fasteners NSW
5 Liverpool St, Ingleburn 2565, NSW
Tel: (02) 9774 4416
✉ : salesnsw@conceptfasteners.com.au

Concept Fasteners QLD
Brisbane Branch Coming Soon!
✉ : qldsales@conceptfasteners.com.au