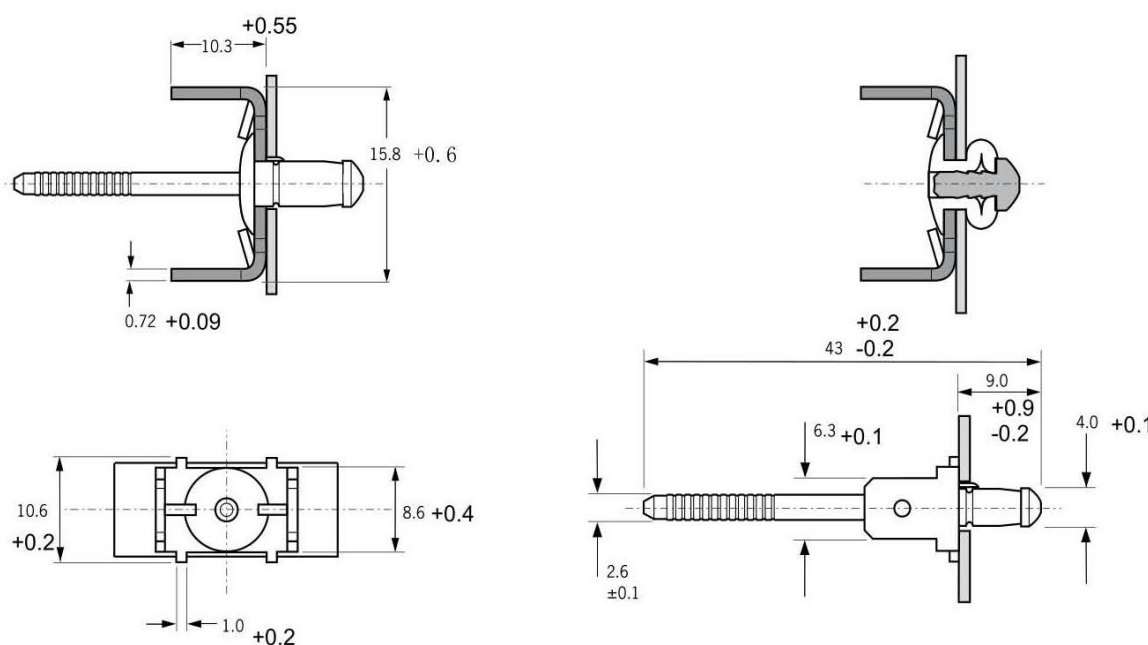
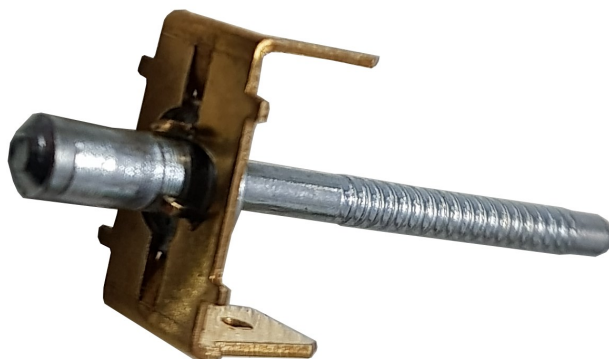


Earth Rivets



Part Number	Body Material	Mandrel Material	Earth Tab Material	Rivet Material
OBN11-00509	1008 Steel	1045 Steel	CuZn 30	Zinc Plater Cr3+

Earthing Tab Rivet

Quick and easy installation earth connection for thin sheet material. Can be used on Painted or powder coated surfaces (maximum thickness 60 microns for smooth paint, 120 microns for textured)

Rated at 12A and 240Vac @ 60°C

Twin 6.3 x 0.8mm male blade connections

Zinc plated steel body and mandrel, with brass dual-spade connector

Note: Products in this catalogue are subject to availability



Head Office: Concept Fasteners VIC
 9 Flight Drive, Tullamarine 3043, Victoria
 Tel: (03) 9338 6633 Fax: (03) 9338 6433
 : sales@conceptfasteners.com.au

Head Office: Concept Fasteners NSW
 5 Liverpool St, Ingleburn 2565, NSW
 Tel: (02) 9774 4416
 : salesnsw@conceptfasteners.com.au

Head Office: Concept Fasteners QLD
 Brisbane Branch Coming Soon!

: qldsales@conceptfasteners.com.au