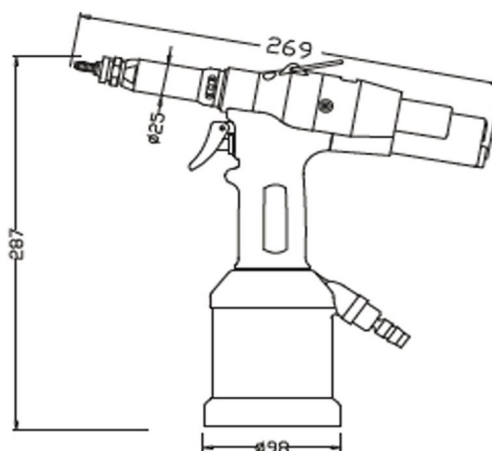


Rivet Nut Tool F10

Easy Maintenance and Operation



Item: F10

Trigger by two action design (Action A and Action B), Action A for fastening the insert nut with light force, Action B for reversing the screw mandrel, you will get harder when do Action B.

Features

- Grade 12.9 standard screw mandrel
- Trigger by two action design, improve the stability of the tool
- Ergonomical design
- Easy maintenance and operation

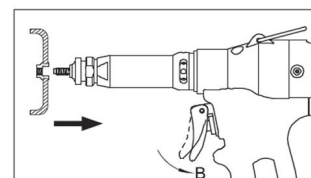
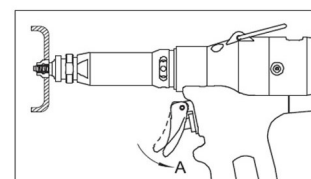
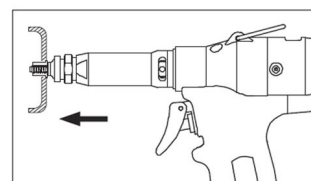
Specifications and Placing Capacity

Riveting capacity: M3-M10 insert nuts in all materials

Stroke:	6.5MM
Air Pressure:	5-7 KG
Pull Force:	2050KGF
Weight:	2.10KG

Mandrels in inch are available as follows:

6-32, 8-32, 10-24, 10-32, 1/4-20, 1/4-28, 5/16-18, 5/16-24, 3/8-16, 3/8-24



Note: Products in this catalogue are subject to availability



Head Office: Concept Fasteners VIC
 9 Flight Drive, Tullamarine 3043, Victoria
 Tel: (03) 9338 6633 Fax: (03) 9338 6433
 : sales@conceptfasteners.com.au

Head Office: Concept Fasteners NSW
 5 Liverpool St, Ingleburn 2565, NSW
 Tel: (02) 9774 4416
 : salesnsw@conceptfasteners.com.au

Head Office: Concept Fasteners QLD
 Brisbane Branch Coming Soon!

: qldsales@conceptfasteners.com.au