

## Open End Stainless Steel AL Style - With Knurl

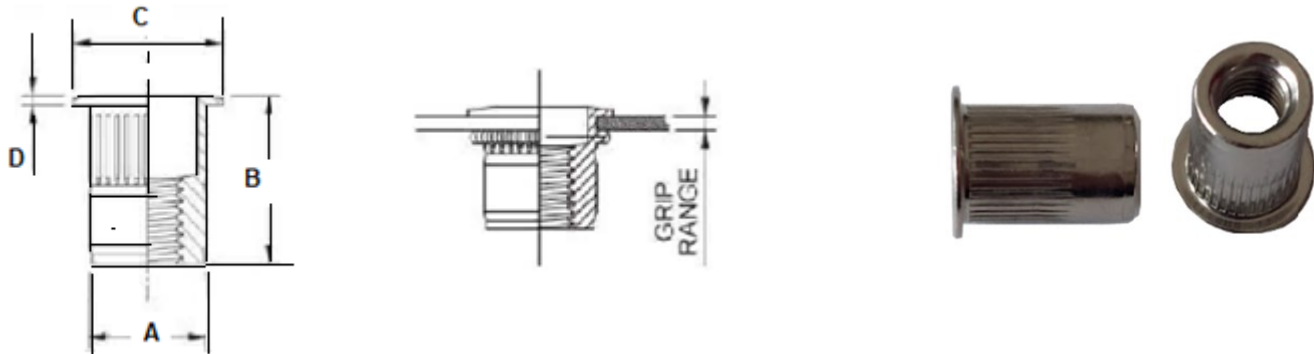
## Description

**Large Flange splined AVK AL Series- Stainless**

Highest resistance to vibration and spin out of all round bodied inserts. Flange with near flush finish. Very wide grip range.

**Specifications**

<b>Material</b>	Stainless Steel
<b>Finish</b>	Clear



Part Code	Thread Size	Grip Range	Hole Size +0.1	A MAX	B ± 0.4	C ± 0.25	D ± 0.2
SS-AL-470-2.0	M4 x 0.7	0.5 - 2.0	6.8	6.73	10.7	9.9	0.8
SS-AL-470-3.0	M4 x 0.7	2.0 - 3.3	6.8	6.73	11.9	9.9	0.8
SS-AL-580-3.3	M5 x 0.8	0.5 - 3.3	7.6	7.52	12.1	10.5	0.8
SS-AL-580-5.7	M5 x 0.8	3.3 - 5.7	7.6	7.52	14.9	10.5	0.8
SS-AL-610-4.2	M6 x 1.0	0.7 - 4.2	10	9.91	14.7	12.7	0.8
SS-AL-610-6.6	M6 x 1.0	4.2 - 6.6	10	9.91	17.3	12.7	0.8
SS-AL-8125-3.5	M8 x 1.25	0.7 - 3.8	13.5	13.46	17.5	17.4	1
SS-AL-8125-7.9	M8 x 1.25	3.8 - 7.9	13.5	13.46	20.5	17.4	1
SS-AL-1015-3.8	M10 x 1.50	0.7 - 3.8	13.5	13.46	17.5	17.4	1
SS-AL-1015-7.9	M10 x 1.50	3.8 - 7.9	13.5	13.46	20.5	17.4	1

Thread Size	Pull-Out KN	Push-Out KN	Torque-To-Turn NM	Maximum Torque
M4 x 0.70	2.7	0.9	N/A	3.6
M6 x 0.8	4.5	1.5	N/A	7.2
M6 x 1.0	4.9	3	N/A	13.9

Value higher than stated due to bolt breakage, figure provided for guidance.

All figure are indicative and subject to change without notice. Testing should be carried out for each application

**Note: Products in this catalogue are subject to availability**



**Head Office: Concept Fasteners VIC**  
9 Flight Drive, Tullamarine 3043, Victoria  
Tel: (03) 9338 6633 Fax: (03) 9338 6433  
: sales@conceptfasteners.com.au

**Head Office: Concept Fasteners NSW**  
5 Liverpool St, Ingleburn 2565, NSW  
Tel: (02) 9774 4416  
: salesnsw@conceptfasteners.com.au

**Head Office: Concept Fasteners QLD**  
Brisbane Branch Coming Soon!  
: qldsales@conceptfasteners.com.au