

Open End Stainless Steel AK Series - With Knurl

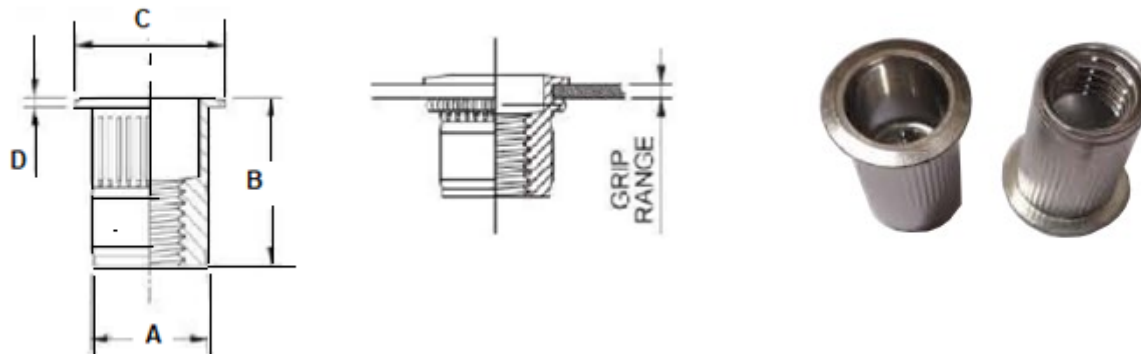
Description

Small Flange splined AK Series - Stainless

Highest resistance to vibration and spin out of all round bodied inserts. Flange with near flush finish. Wide grip range.

Specifications

Material	Stainless Steel
Finish Clear	Clear



Dimensions

Part Code	Thread Size	Grip Range	Hole Size +0.1	A Max	B ± 0.25	C ± 0.25	D ± 0.25
SS-AK-470-2.0	M4 x 0.7	0.50 - 2.0	6.8	6.75	10.7	7.9	0.6
SS-AK-470-3.3	M4 x 0.7	2.0 - 3.3	6.75	6.75	11.9	7.9	0.6
SS-AK-580-3.3	M5 x 0.80	0.50 - 3.3	7.6	7.52	12.1	8.6	0.6
SS-AK-580-5.7	M5 x 0.80	3.3 - 5.7	7.6	7.52	14.9	8.6	0.6
SS-AK-610-4.2	M6 x 1.0	0.7 - 4.2	10	9.91	14.7	11.6	0.6
SS-AK-610-6.6	M6 x 1.0	4.2 - 6.6	10	9.91	17.3	12.7	0.6
SS-AK-8125-3.5	M8 x 1.25	0.7 - 3.8	13.5	13.46	17.5	17.4	1
SS-AK-8125-7.9	M8 x 1.25	3.8 - 7.9	13.5	13.46	20.5	17.4	1
SS-AK-1015-3.8	M10 x 1.50	0.7 - 3.8	13.5	13.46	17.5	17.4	1
SS-AK-1015-7.9	M10 x 1.50	3.8 - 7.9	13.5	13.46	20.5	17.4	1

Thread Size	Pull-Out KN	Push-Out KN	Torque-To-Turn NM	Maximum Torque
M4 x 0.70	2.7	0.9	N/A	3.6
M6 x 0.8	4.5	1.5	N/A	7.2
M6 x 1.0	4.9	3	N/A	13.9

Value higher than stated due to bolt breakage, figure provided for guidance.

All figure are indicative and subject to change without notice. Testing should be carried out for each application

Note: Products in this catalogue are subject to availability



Head Office: Concept Fasteners VIC
9 Flight Drive, Tullamarine 3043, Victoria
Tel: (03) 9338 6633 Fax: (03) 9338 6433
: sales@conceptfasteners.com.au

Concept Fasteners NSW
5 Liverpool St, Ingleburn 2565, NSW
Tel: (02) 9774 4416
: salesnsw@conceptfasteners.com.au

Concept Fasteners QLD
Brisbane Branch Coming Soon!

: qldsales@conceptfasteners.com.au