

Open End Type Steel Large Flange

Description

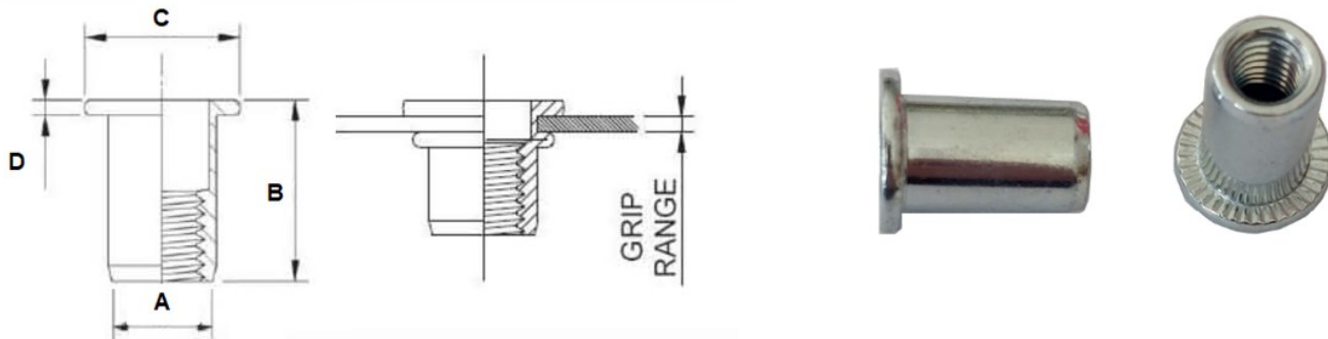
Large Flange Non splined - Steel

Optical for low torque and load bearing applications in thin sheet material

Specifications

Material low Carbon

Finish Clear Zinc CR3



Dimensions

Part Code	Thread Size	Grip Range	Hole Size +- 0.1	A +0.05/-0.15	B ± 0.25	C ± 0.25	D ± 0.25
INSERNUT M3LF	M3 x 0.5	0.5 - 2.5	5.1	5	8	8	0.8
INSERNUT M4LF	M4 x 0.7	0.5 - 2.5	6.1	6	9.5	9	1
INSERNUT M5LF	M5 x 0.80	0.5 - 2.5	7.1	7	11	10	1
INSERNUT M6LF	M6 x 1.0	0.0 - 3.0	9.1	9	14	12.8	1.5
INSERNUT M6LF 5.0	M6 x 1.0	3.0 - 5.0	9.1	9	18.5	12.8	1.5
INSERNUT M8LF	M8 x 1.25	1.0 - 4.0	11.1	11	15	14	1.5
INSERNUT M10LF	M10 x 1.50	1.0 - 3.5	13.1	13	21	16.3	1.5
INSERNUT M10LF 4.5	M10 x 1.50	3.0 - 4.5	13.1	13	24	16.3	1.5
INSERNUT M10LF 6.0	M10 x 1.50	4.5 - 6.0	13.1	13	25.5	16.3	1.5
INSERNUT M12LF	M12 x 1.75	2.0 - 4.0	16.1	16	24	23	2
INSERNUT M16LF	M16 x 2.0	3.0 - 4.0	21	20.5	32.8	26	2.5

Thread Size	Pull-Out KN	Push-Out KN	Torque-To_turn Nm	Maximum Torque
M4 x 0.7	5.4	2.7	2.2	5.4
M5 x 0.80	7.8	4.1	2.7	8.3
M6 x 1.0	11.6	6.3	3.6	13.2
M8 x 1.25	14.8	7.9	3.9	17.6
M10 x 1.50	18.36	11.22	3.9	N/A
M16 x 2.0	88.57	N/A	N/A	N/A

Value higher than stated due to bolt breakage, figure provided for guidance.

All figure are indicative and subject to change without notice. Testing should be carried out for each application

Note: Products in this catalogue are subject to availability



Head Office: Concept Fasteners VIC
9 Flight Drive, Tullamarine 3043, Victoria
Tel: (03) 9338 6633 Fax: (03) 9338 6433
✉ : sales@conceptfasteners.com.au

Concept Fasteners NSW
5 Liverpool St, Ingleburn 2565, NSW
Tel: (02) 9774 4416
✉ : salesnsw@conceptfasteners.com.au

Concept Fasteners QLD
Brisbane Branch Coming Soon!
✉ : qldsales@conceptfasteners.com.au