

## Countersunk Type Stainless Steel Reduced Head

## Description

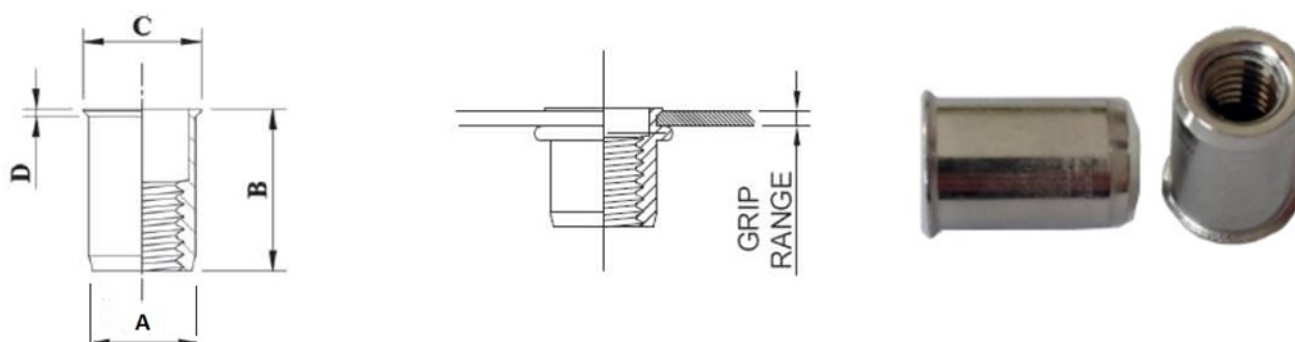
**Reduced head Non splined - Stainless Steel**

Optimal for light duty applications where corrosive atmospheres present a risk for plated fasteners

**Specifications**

**Material** Stainless Steel

**Finish** Clear Natural

**Dimensions**

Part Code	Thread Size	Grip Range	Hole Size +0.1	A +0.05/ -0.15	B ± 0.25	C ± 0.25	D ± 0.25
INSERT M3SS	M3 x 0.5	0.50 - 2.0	4.75	4.65	9.1	5.77	0.6
INSERT M4SS	M4 x 0.7	0.5 x 2.5	6.35	6.25	10.4	7.5	0.6
INSERT M5SS	M5 x 0.8	0.5 - 3.0	7.15	7	11.8	8.2	0.6
INSERT M6SS	M6 x 1.0	0.5 - 3.5	9.55	9.4	14.6	10.8	0.6
INSERT M8SS	M8 x 1.25	0.9 - 3.5	10.6	10.45	16.1	11.7	0.6
INSERT M10SS	M10 x 1.50	1.0 - 3.7	14.35	14.2	18.6	15.8	1.75
INSERT M12SS	M12 x 1.75	1.0 - 4.0	16	15.8	22.5	17.2	0.75

Thread Size	Pull-Out KN	Push-Out KN	Torque-To-Turn NM	Maximum Torque
M4 x 0.70	10.62	10.2	N/A	4.9
M5 x 0.8	16.7	16.7	N/A	9.3
M6 x 1.0	21.6	21.6	N/A	16.2
M8 x 1.25	30.5	30.5	N/A	30.4

Value higher than stated due to bolt breakage, figure provided for guidance.

All figure are indicative and subject to change without notice. Testing should be carried out for each application

**Note: Products in this catalogue are subject to availability**



**Head Office: Concept Fasteners VIC**  
9 Flight Drive, Tullamarine 3043, Victoria  
Tel: (03) 9338 6633 Fax: (03) 9338 6433  
: sales@conceptfasteners.com.au

**Head Office: Concept Fasteners NSW**  
5 Liverpool St, Ingleburn 2565, NSW  
Tel: (02) 9774 4416  
: salesnsw@conceptfasteners.com.au

**Head Office: Concept Fasteners QLD**  
Brisbane Branch Coming Soon!  
: qldsales@conceptfasteners.com.au