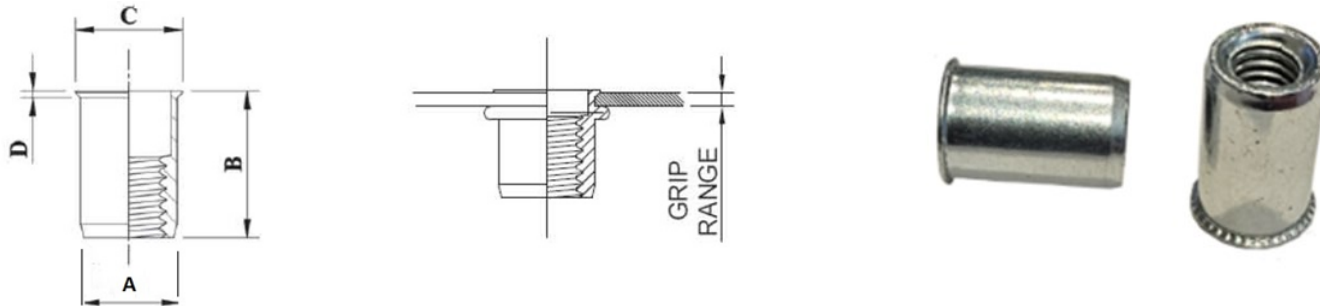


Countersunk Type Steel Reduced Head

Description	
Reduced head Non splined- Steel	
Optical for torque and load bearing applications in thin sheet	
Specifications	
Material	Carbon steel
Finish Clear	Zinc CR3



Dimensions

Part Code	Thread Size	Grip Range	Hole Size +0.1	A +0.05/-0.15	B ± 0.25	C ± 0.25	D ± 0.05/-0.15
INSERNUT M3	M3 x 0.5	0.5 - 1.5	4.75	4.6	9	5.84	0.6
INSERNUT M4	M4 x 0.7	0.5 - 2.5	6.35	6.25	10.5	6.9	0.6
INSERNUT M5	M5 x 0.8	0.5 - 3.0	7.15	7	12	7.7	0.6
INSERNUT M6	M6 x 1.00	0.7 - 3.5	9.55	9.4	15	10.5	0.6
INSERNUT M8	M8 x 1.25	0.9 - 3.0	10.6	10.5	16	11.3	0.6
INSERNUT M8	M8 x 1.25	1.0 - 4.0	10.6	10.5	19	11.3	0.6
INSERNUT M10	M10 x 1.50	1.0 - 4.0	12.7	12.6	19	13.7	0.75
INSERNUT M10 5.5	M10 x 1.50	3.5 - 5.0	12.7	12.6	22.5	13.7	0.75
INSERNUT M12	M12 x 1.75	1.0 - 4.0	16	15.9	23	17.2	1

Thread Size	Pull-Out KN	Push-Out KN	Torque- To_turn Nm	Maximum Torque
M3 x 0.5	2.7	0.8	0.5	1.6
M4 x 0.7	6.1	1.5	2.1	5.2
M5 x 0.8	8	1.9	2.5	7.8
M6 x 1.00	11.4	2.5	3.3	12.7
M8 x 1.25	15.8	2.8	3.6	16.7
M10 x 1.50	19.1	3.7	4.4	34.3
M12 x 1.75	N/A	N/A	N/A	N/A

Value higher than stated due to bolt breakage, figure provided for guidance.

All figure are indicative and subject to change without notice. Testing should be carried out for each application

Note: Products in this catalogue are subject to availability



Head Office: Concept Fasteners VIC
 9 Flight Drive, Tullamarine 3043, Victoria
 Tel: (03) 9338 6633 Fax: (03) 9338 6433
 : sales@conceptfasteners.com.au

Concept Fasteners NSW
 5 Liverpool St, Ingleburn 2565, NSW
 Tel: (02) 9774 4416
 : salesnsw@conceptfasteners.com.au

Concept Fasteners QLD
 Brisbane Branch Coming Soon!
 : qldsales@conceptfasteners.com.au